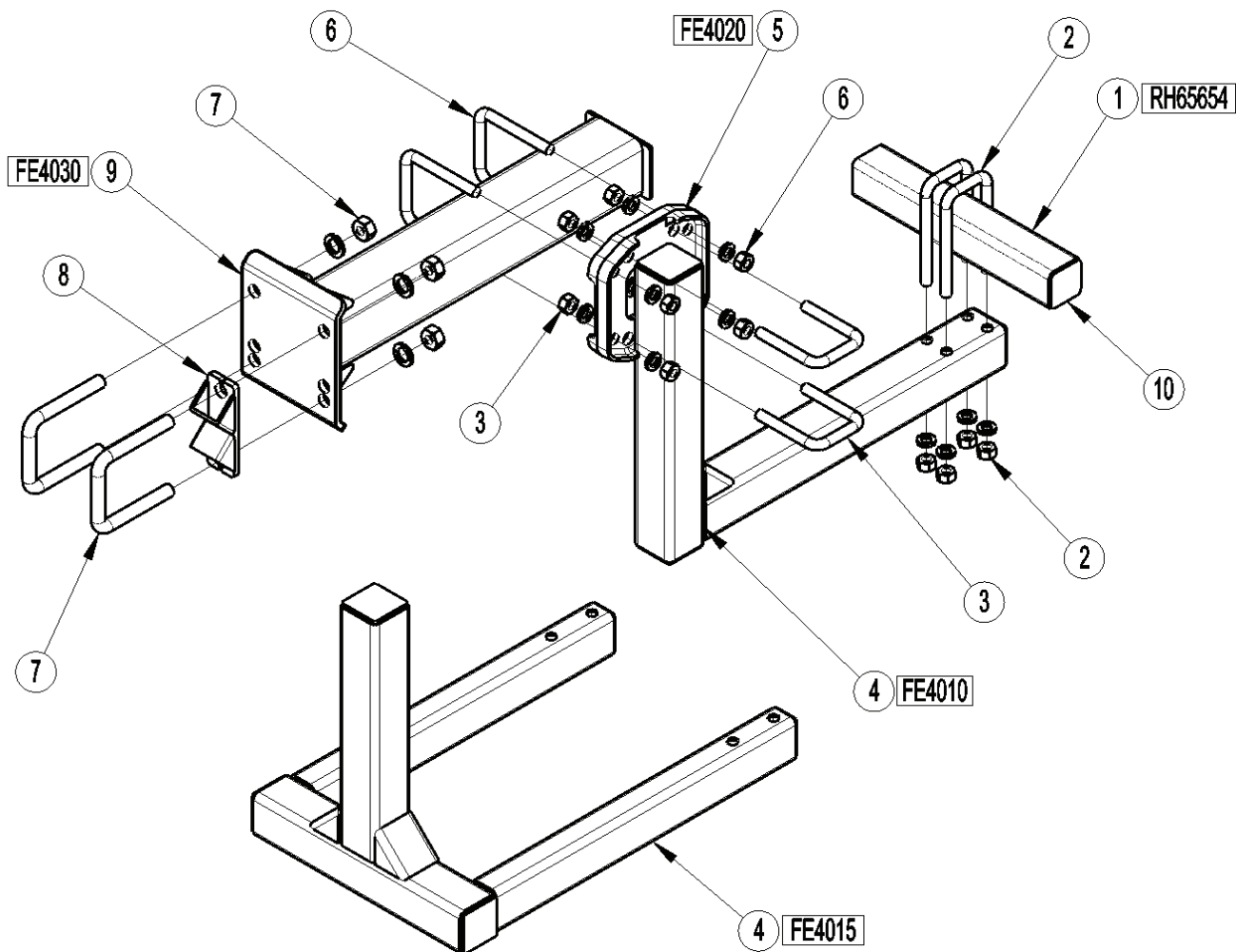


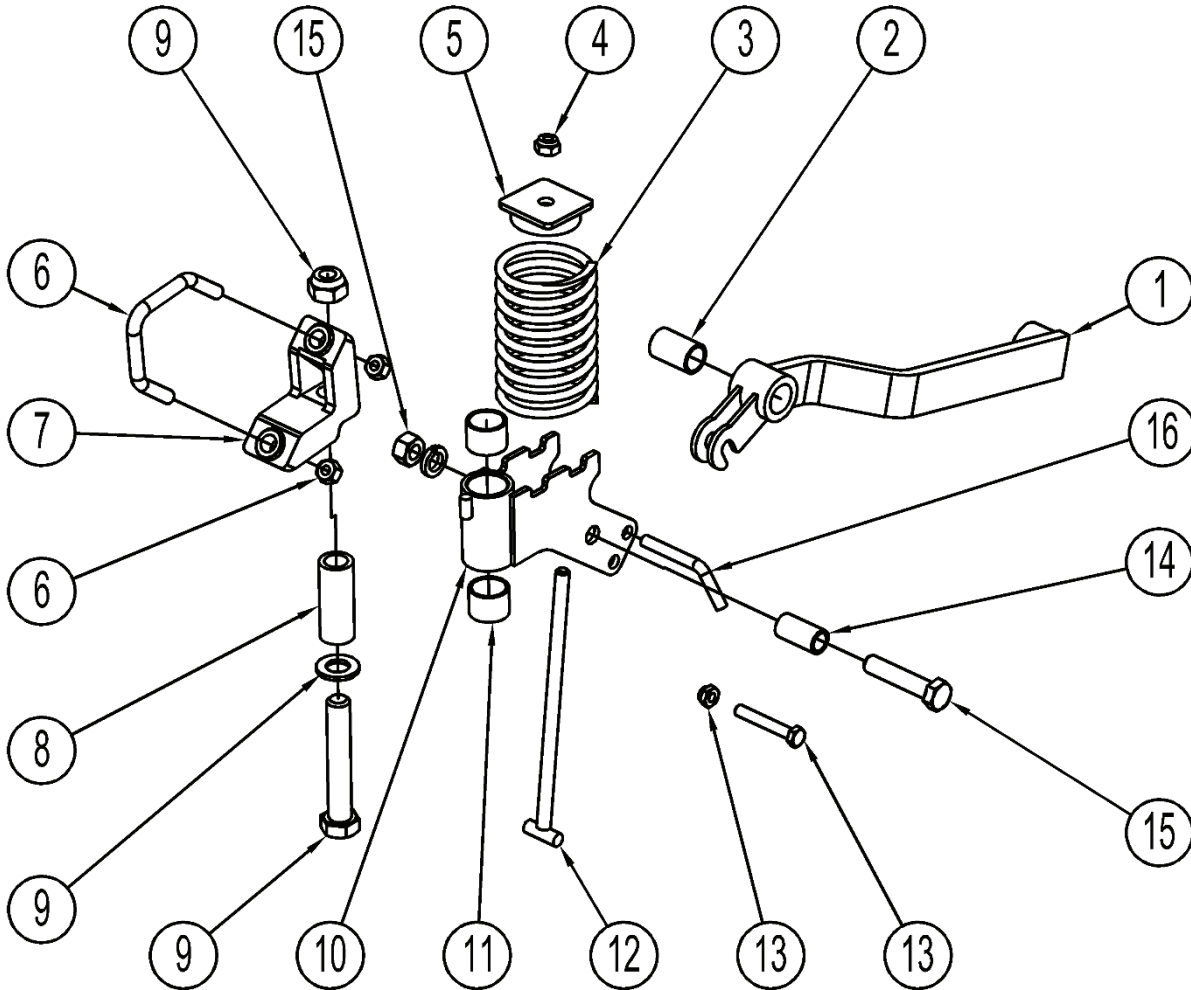
PRESSWHEEL COMPONENTS

FIXED EXTENSIONS



Ref	Part No	Description	Qty	Remarks	Prices	
					Exc	Inc
1	RH65654	RHS 65 mm x 65 mm x 4 mm	AR	length to suit	\$ 45.00/mtr	\$ 49.50/mtr
2	UBN4002	U Bolt – M16, Nuts & Washers	2		\$ 10.00	\$ 11.00
3	UBN4003	U Bolt – M16, Nuts & Washers	2		\$ 10.00	\$ 11.00
4	FE4010	L Frame	1		\$140.00	\$154.00
or	FE4015	Double L Frame	1	refer page 51 for reference	\$290.00	\$319.00
5	FE4020	Clamp plate	1		\$ 35.00	\$ 38.50
6	UBN3002	U Bolt – M16, Nuts & Washers	2		\$ 15.00	\$ 16.50
7	UBN3004	UBolt - M20, Nuts & Washers	2	for 100 mm Square RHS	\$ 20.00	\$ 22.00
	UBN3005	UBolt – M20, Nuts & Washers	2	for 75mm Square RHS	\$ 20.00	\$ 22.00
	UBN3006	UBolt – M20, Nuts & Washers	2	for RHS set on diagonal	\$ 22.00	\$ 24.20
8	HS3080	Clamp Plate	2	for RHS set on diagonal	\$ 15.00	\$ 16.50
9	FE4030	Extension	1		\$220.00	\$242.00
10	CA65	Cap – 65mm Square Insert	2	to cap ends of Item 1	\$ 10.00	\$ 11.00

Use one of our online building tools for Seeding Kits and Presswheels to help you with specific part numbers & prices
www.agmaster.com.au

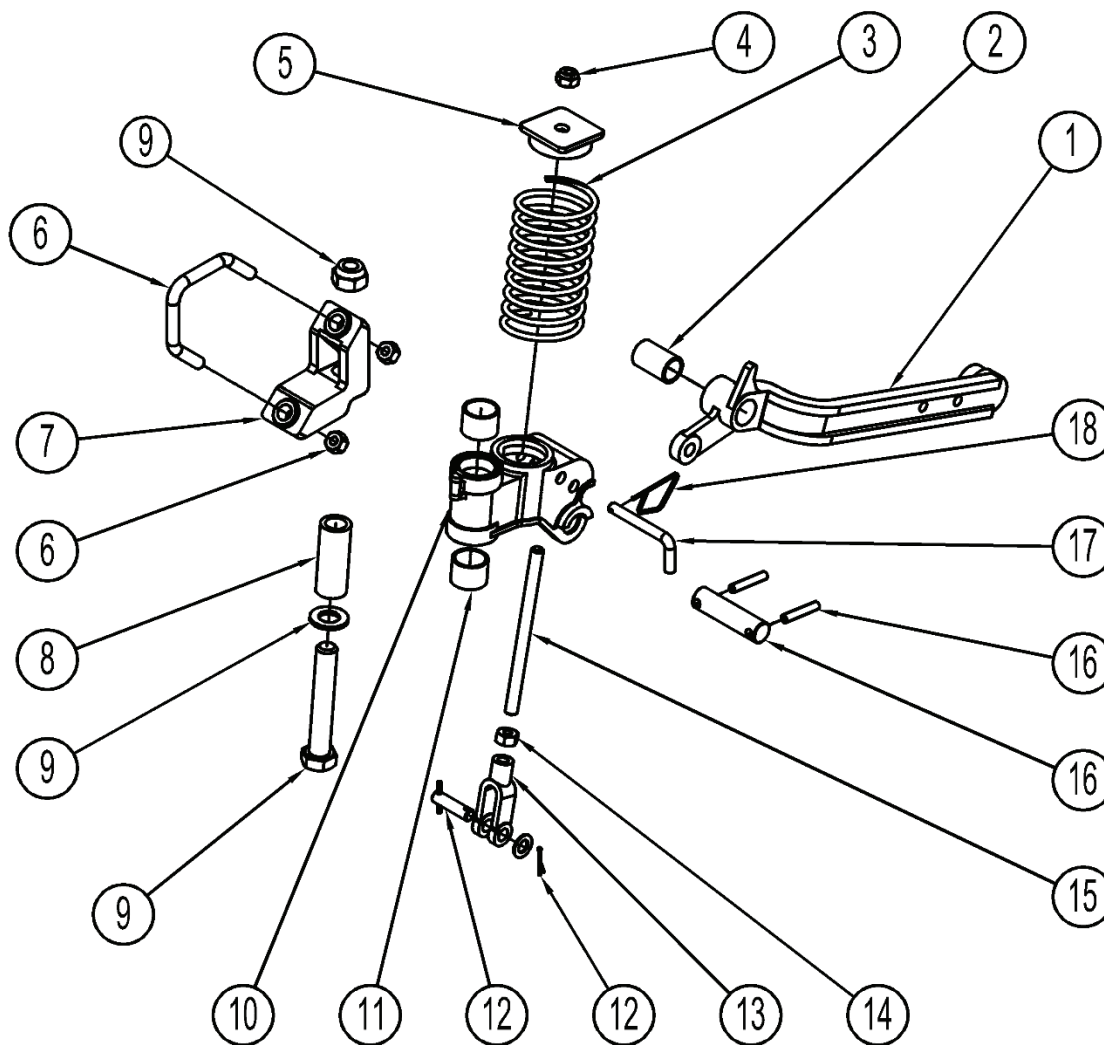


Note: This is for Presswheels up to 2002. This model has no seal. For 2003 onwards see following pages

Ref	Part No	Description	Qty	Remarks	Prices	
					Exc	Inc
1	PW4270	Jump Arm 2002	1	Obsolete	\$ ---	\$ ---
2	PW4276	Presswheel Jump Arm Bush 2002/03	1		\$ 4.00	\$ 4.40
3	SP4011	Spring 165 x 80	1		\$15.00	\$16.50
	SP4012	Optional Inner Spring 144 x 60	1		\$15.00	\$16.50
4	NU12MNY	Nylock Nut – M12	1		\$ 0.40	\$ 0.44
5	PW4580	Spring Cap	1		\$ 4.00	\$ 4.40
6	VBN4001	V Bolt M12 90x100ctr, Nut & Washer	1		\$ 5.00	\$ 5.50
7	PW4255	Pivot Mount 2002/03	1	Obsolete but Upgradable (PWU45)		
8	PW4265	Track Pivot Spacer 77 x 30 2002/03	1		\$ 3.50	\$ 3.85
9	BNW20M120	Bolt – M20 x 120, Nut, Washer	1		\$ 8.00	\$ 8.80
10	PW4260	Track Pivot 2002	1	Obsolete	\$ ---	\$ ---
11	PW4266	Track Pivot Bush 25 x 35 2002/03	2		\$ 4.00	\$ 4.40
12	PW4267	T Bolt M12 x 250	1		\$ 7.00	\$ 7.70
13	BON10M65	Bolt – M10 x 65, Nut	1	Not stocked by Agmaster	\$ ---	\$ ---
14	PW4275	Jump Arm Spacer 42 x 22 2002/03	1		\$ 2.50	\$ 2.75
15	BNW16M90	Bolt – M16 x 90, Nut, Washer	1		\$ 5.00	\$ 5.50
16	PW4590	Locking Pin	1		\$ 3.00	\$ 3.30
	PI3MIN	R Clip – B9 or Min clip	1		\$ 1.20	\$ 1.32
	PWU45	Mount Upgrade PW4255 to PW4450	1	Includes Sleeve/Bolt	\$55.00	\$60.50

See diagram page 61

Use one of our online building tools for Seeding Kits and Presswheels to help you with specific part numbers & prices



Note: This is for 2003 Model Presswheels. For 2004 model onwards see next page

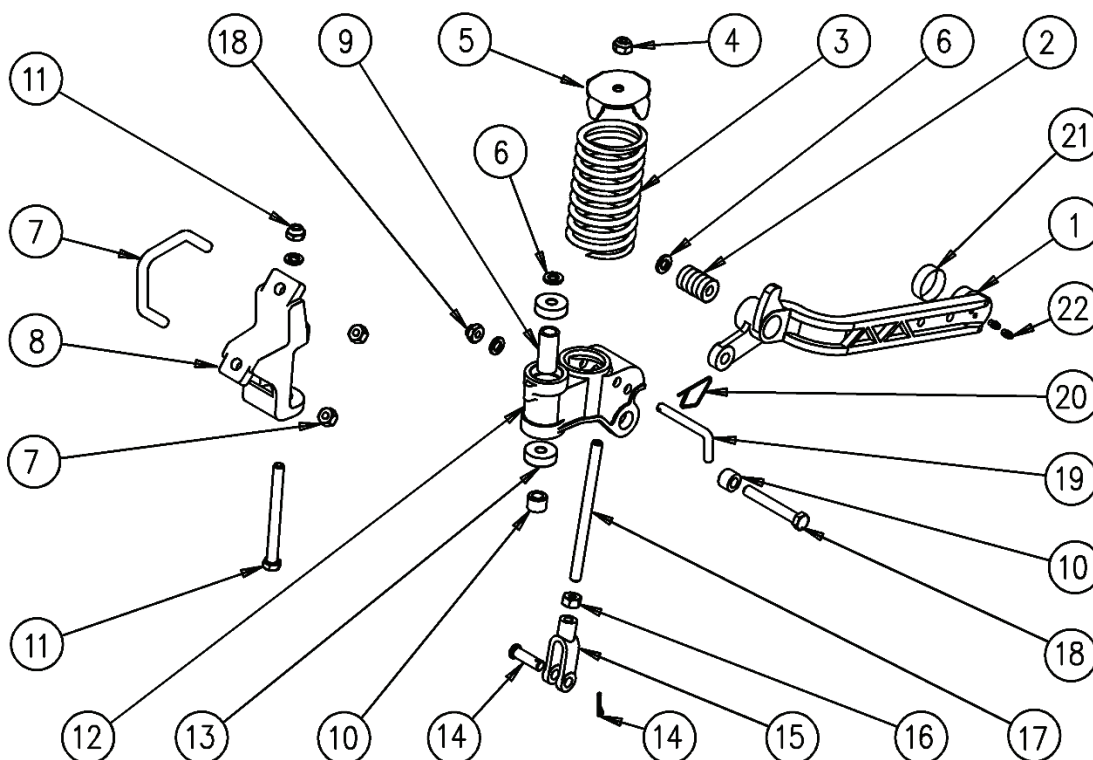
Ref	Part No	Description	Qty	Remarks	Prices	
					Exc	Inc
1	PW4290	Jump Arm 2003 (takes seal SE36PR518)	1	Includes 1, 2	\$70.00	\$77.00
2	PW4276	Jump Arm Bush 41 x 27 2002/03	1		\$ 4.00	\$ 4.40
3	SP4011	Spring 165 x 80	1		\$15.00	\$16.50
	SP4012	Optional Inner Spring 144 x 60	1		\$15.00	\$16.50
4	NU12MNY	Nylock Nut – M12	1		\$ 0.40	\$ 0.44
5	PW4580	Spring Cap	1		\$ 4.00	\$ 4.40
6	VBN4001	V Bolt M12 90x 100ctr, Nut & Washer	1		\$ 5.00	\$ 5.50
7	PW4255	Pivot Mount	1	Obsolete but upgradable (PWU45)		
8	PW4265	Track Pivot Spacer 77 x 30 2002/03	1		\$ 3.50	\$ 3.85
9	BNW20M120	Bolt – M20 x 120, Nut, Washer	1		\$ 8.00	\$ 8.80
10	PW4280	Track Pivot Mount 2003	1	Includes 2 x Item 11 Obsolete when stock exhausted	\$70.00	\$77.00
11	PW4266	Track Pivot Bush 25 x 35 2002/03	2		\$ 4.00	\$ 4.40
12	PWS57	Clevis Pin, Split Pin	1		\$ 2.00	\$ 2.20
13	PW4560	Clevis Yoke	1		\$16.00	\$17.60
14	NU12MZP	Nut M12	1		\$ 0.30	\$ 0.33
15	PW4550	Pressure Rod – M12	1		\$ 6.00	\$ 6.60
16	PWR4285	Jump Arm Pin 85 x 22 2003	1	Includes Roll Pins	\$ 5.00	\$ 5.50
17	PW4590	Locking Pin	1		\$ 3.00	\$ 3.30
18	PI3MIN	R Clip – B9 or Min clip	1		\$ 1.20	\$ 1.32
	PWU45	Mount Upgrade PW4255 to PW4450	1	Includes Sleeve/Bolt	\$55.00	\$60.50

See diagram page 61

Use one of our online building tools for Seeding Kits and Presswheels to help you with specific part numbers & prices

PRESSWHEEL MODULE

2004 ONWARDS WITH BEARING TYPE PIVOTS



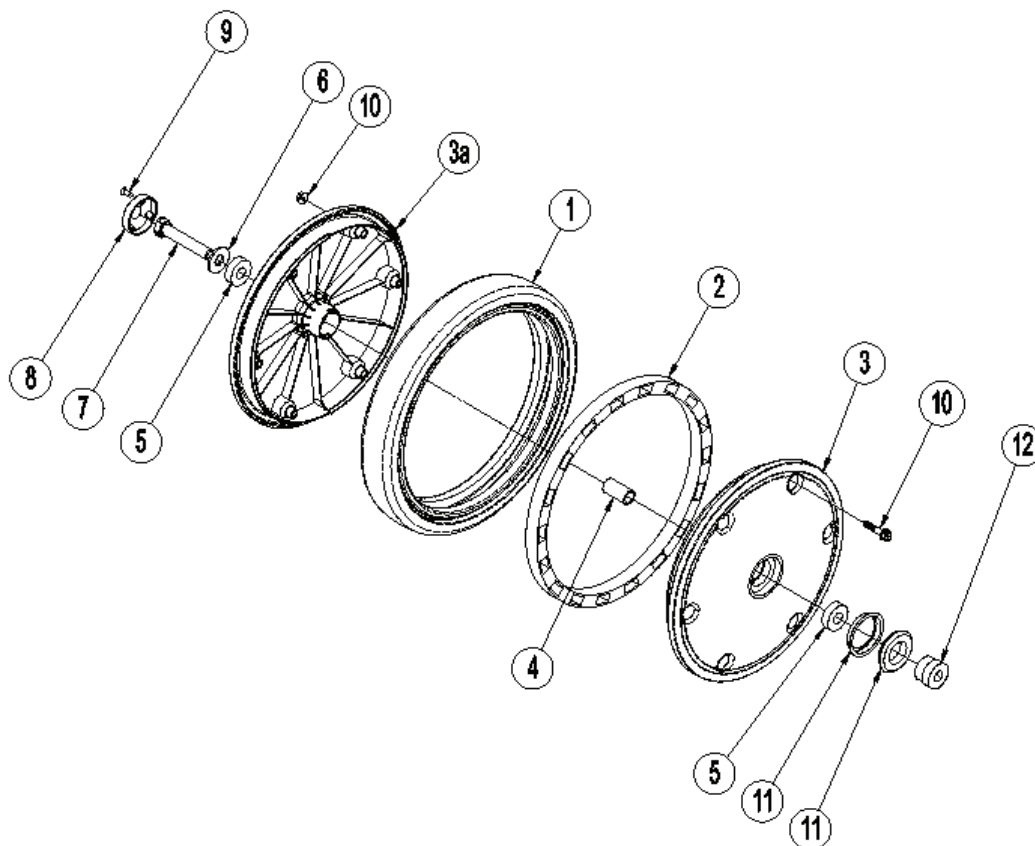
Note: This is 2004 onwards. See previous pages for earlier model parts

Ref	Part No	Description	Qty	Remarks	Prices	
					Exc	Inc
1	PW4420 OR PW4405	<u>Current</u> Jump Arm 2005 Onwards with Bearings Jump Arm <u>2004 Only Model</u> with Bearings & Sleeve	1	incl 1, 2, 22. Takes seal SE36P6641 incl 1, 2, 21. Takes seal SE36PR6518	\$80.00	\$88.00
2	BE1228	Bearing (6001-2RS)	5		\$ 2.00	\$ 2.20
3	SP4011 SP4012	Spring 165 x 80 Optional Inner Spring 144 x 60	1 1		\$15.00 \$15.00	\$16.50 \$16.50
4	NU12MNY	Nylock Nut – M12	3		\$ 0.40	\$ 0.44
5	PW4580	Spring Cap	1		\$ 4.00	\$ 4.40
6	PW4460	Mount/Arm Washer 3 x 22	2		\$ 0.60	\$ 0.66
7	VBN4001	V Bolt M12, Nut & Washer	1		\$ 5.00	\$ 5.50
8	PW4450	Pivot Mount 2004	1		\$40.00	\$44.00
9	PW4480	Track Pivot Bearing Spacer	1		\$ 2.50	\$ 2.75
10	PW4470	Mount/Arm Spacer 15 x 22	2		\$ 0.90	\$ 0.99
11	BNW12M130	Bolt – M12 x 130, Nut & Washer	1		\$ 3.50	\$ 3.85
12	PW4500	Track Pivot with Bearings & Spacer	1	includes 9,12,13	\$60.00	\$66.00
13	BE1237	Bearing (6301-2RS)	2		\$ 3.00	\$ 3.30
14	PWS57	Clevis Pin, Split Pin	1		\$ 2.00	\$ 2.20
15	PW4560	Clevis Yoke	1		\$16.00	\$17.60
16	NU12MZP	Nut M12	1		\$ 0.30	\$ 0.33
17	PW4550	Rod – M12	1		\$ 6.00	\$ 6.60
18	BNW12M85	Bolt – M12 x 85, Nut & Washer	1		\$ 2.50	\$ 2.75
19	PW4590	Locking Pin	1		\$ 3.00	\$ 3.30
20	PI3MIN	R Clip – B9 or Min clip	1		\$ 1.20	\$ 1.32
21	PW4415	Seal Wear Sleeve	1	2004 Model only	\$ 4.00	\$ 4.40
22	GN6	Grease Nipple 6mm Stainless	2	2011 onwards Model only	\$ 0.50	\$ 0.55
	PWS55	Spring kit	1	includes 3,4,5,14,15,16,17	\$45.00	\$49.50
	PW4000	Presswheel Assembly – No Wheel	1	Not incl Item 7 and all items on P57	\$220.00	\$242.00

Use one of our online building tools for Seeding Kits and Presswheels to help you with specific part numbers & prices

www.agmaster.com.au

PRESSWHEELS PARTS, RIMS, SEALS



Ref	Part No	Description	Qty	Remarks	Prices	
					Exc	Inc
1	PW4300	Tyre – 100mm ‘W’	1	Includes Item 2	\$100.00	\$110.00
	PW4310	Tyre – 70 mm V	1	Includes Item 2	\$ 80.00	\$ 88.00
	PW4320	Tyre – 95 mm V	1	Includes Item 2	\$ 80.00	\$ 88.00
	PW4330	Tyre – 50 mm flat	1	Includes Item 2	\$ 80.00	\$ 88.00
	PW4340	Tyre – 20mm wedge	1	Includes Item 2	\$100.00	\$110.00
2	PW4370	Spacer Ring	1		\$ 10.00	\$ 11.00
3	PW4350	Rim Half – Seal Side with bearing	1	This half has steel ring in it	\$ 34.00	\$ 37.40
3a	PW4360	Rim Half – Cap Side with bearing	1		\$ 26.00	\$ 28.60
4	PW4380	Bearing Spacer	1		\$ 2.50	\$ 2.75
5	BE1740	Bearing (6203-2RS)	2		\$ 4.00	\$ 4.40
6	WA16L	Washer M16 Lock Ribbed	1		\$ 1.00	\$ 1.10
7	BO16M90	Bolt – M16 x 90	1	Secures Wheel to Arm	\$ 4.00	\$ 4.40
8	PW4390	Cap	1	From 2003 – Takes 3 x SC825	\$ 4.00	\$ 4.40
	PW4251	Cap – Grey		Knock in type for 2002 model	\$ 4.00	\$ 4.40
9	SC825	Self tapping Screw	3	8 gauge x 25mm countersunk	\$ 0.20	\$ 0.22
10	BON8M35F	Bolt 8M x 35 Flanged, Nut	6 per rim		\$ 0.60	\$ 0.66
11	SE36P6641	Seal P6641 & Ring	1	From 2005 – use on PW4420 arm	\$ 5.00	\$ 5.50
	OR					
	SE36PR6518	Seal TC1.437	1	From 2003/04 – use on PW4290/PW4405 arm	\$ 4.00	\$ 4.40
		<i>Please note SE36PR5618 is a very uncommon seal, please check with Agmaster before ordering if not sure</i>				
12	PW4440	30 mm Clearance Spacer -optional	1	To increase clearance between tyre & arm for mud shedding	\$15.00	\$ 16.50
	BO16M120	Bolt M16 x 120mm	1	Required with above spacer PW4440 in place of BO16M90	\$ 4.00	\$ 4.40
	PW4200	100 mm ‘W’ wheel assembly	1	Above Assembly Minus 6, 7, 8, 9	\$170.00	\$187.00
	PW4210	70 mm V wheel assembly	1	Above Assembly Minus 6, 7, 8, 9	\$150.00	\$165.00
	PW4220	95 mm V wheel assembly	1	Above Assembly Minus 6, 7, 8, 9	\$150.00	\$165.00
	PW4230	50 mm flat wheel assembly	1	Above Assembly Minus 6, 7, 8, 9	\$150.00	\$165.00
	PW4240	20 mm wedge wheel assembly	1	Above Assembly Minus 6, 7, 8, 9	\$170.00	\$187.00

Use one of our online building tools for Seeding Kits and Presswheels to help you with specific part numbers & prices

www.agmaster.com.au