



2025 CATALOGUE

**SEEDING KITS
HARROWS
PRESSWHEELS
MAINTENANCE TIPS
ASSEMBLY INSTRUCTIONS**

HEAD OFFICE - WESTERN AUSTRALIA

Phone: (08) 9358 1555
10 Fargo Way
WELSHPOOL WA 6106

WA Sales Team:

Renee Parker - General Manager
Mike Glenn - Technical Consultant

Website: www.agmaster.com.au
Email: sales@agmaster.com.au

INTERSTATE SALES & PARTS REPRESENTATIVES

WESTERN AUSTRALIA & SOUTH AUSTRALIA

Renee Parker
(08) 9358 1555
0473 485 629
renee@agmaster.com.au

VICTORIA

Dan Bolwell
1800 668 455
0417 565 091
dan@agmaster.com.au

NEW SOUTH WALES & QUEENSLAND

Rowan Cox
1800 668 455
0488 995 566
rowan@agmaster.com.au

Disclaimer: Agmaster strongly recommends that you consult your agronomist to determine the suitability of Agmaster products in your seeding program. Agmaster gives absolutely no guarantee as to the suitability or performance of its products. Furthermore, Agmaster will not accept liability for any loss or damage caused by, or as a consequence of the use of its products.

E&OE

**Products and Prices are subject to change without notice
Check our website for the latest information on products and prices**

Issued: January 2025

Use one of our online building tools for Seeding Kits and Presswheels to help you with specific part numbers, calculations and prices.

www.agmaster.com.au

TABLE OF CONTENTS

SEEDING KITS & REPLACEMENT PARTS

| NT19 ADJUSTA-POINT SEEDING KITS & PARTS – <i>Standard C-Shank & Edge-On Tynes</i> | PAGE |
|---|-------------|
| NT19 Multi-Boot | |
| <u>Full Seeding Kits</u> including Paired-Row & Single-Row Systems..... | 5 |
| <u>Multi-Boot Only Assemblies</u> including Paired Row & Single-Row Options..... | 6 |
| <u>NT19 Adjusta-Point & Multi Boot Prices & Part Numbers Matrix</u> | 7 |
| <u>Spare Parts</u> – Closing Tools, Brackets, Points & Holders..... | 8-9 |
| NT19 Rigid Boot | |
| <u>Full Seeding Kits and Point & Boot Options</u> | 10 |
| <u>NT19 Adjusta-Point & Rigid Boot Prices & Part Numbers Matrix</u> | 11 |
| <u>Spare Parts</u> - Replacement Points, Boots, Brackets & Holders..... | 12-13 |
| <u>Liquid Kits & Parts</u> for Rigid Boot..... | 14 |
| NT19 Flexi-Boot | |
| <u>Full Seeding Kits and Point & Boot Options</u> | 15 |
| <u>NT19 Adjusta-Point & Rigid Boot Prices & Part Numbers Matrix</u> | 16 |
| <u>Spare Parts</u> – Points, Holders, Boots, Brackets & Other Parts..... | 17-18 |
| NT19 Extras | |
| <u>Adjusta-Point & Holder Kits</u> and <u>Trashguards</u> | 19 |
| PARALLELOGRAM MODULE SEEDING KITS & PARTS – <i>Suits Morris C1/C2/C3/Quantum, Bourgault Paralink Horsch Sprinter & DBS</i> | |
| NT20 Multi-Boot Module | |
| <u>NT20 Single-Row Seeding Kits</u> | 21 |
| <u>NT20 Paired-Row Seeding Kits</u> | 22 |
| <u>NT20 Multi Boot Module Prices & Part Numbers Matrix</u> | 23 |
| <u>Spare Parts</u> - Points, Closing Tools, Brackets & Other Parts..... | 24 |
| NT21M Dual In-Line for Morris <u>Seeding Kits</u> and <u>Spare Parts</u> – Points, Closers & Other Parts..... | 25 |
| NT21D Adjusta-Point to suit DBS – <u>Point & Holder Kits</u> & <u>Spare Parts</u> | 26 |
| NT21B Bourgault PLDS non-genuine replacement knives to suit PLDS..... | 26 |
| Emu Tracker Wheels Assemblies & Parts for Parallelogram Seeders..... | 27 |
| Prior Model Spare Parts <u>2017 – 2018 Kwik Fit Module Parts</u> & <u>2015 – 2016 Morris C2 Seeker Parts</u> | 27 |
| NT11 SEEDING KITS & PARTS – <i>C-Shank & Edge-On Tynes</i> | |
| NT11 Rigid Boot | |
| <u>Full Seeding Kits</u> including <u>Point & Boot Options</u> | 29 |
| <u>NT11 Rigid Boot Prices & Part Numbers Matrix</u> | 30 |
| <u>Point & Holder</u> and <u>Boot & Bracket Only Kits</u> | 31 |
| <u>Spare Parts</u> - Point Holders & Pins..... | 31 |
| <u>Spare Parts</u> - NT11 Replacement Points, Brackets & Boots..... | 32-33 |
| NT11 Flexi-Boot | |
| <u>Full Seeding Kits</u> | 34 |
| <u>Flexi-Boot & Bracket</u> and <u>Point & Holder Only Kits</u> | 35 |
| <u>NT11 Flexi-Boot Prices & Part Numbers Matrix</u> | 36 |
| <u>Spare Parts</u> – Flexiboots, Brackets & Other Parts..... | 37 |
| NT11 Optional Extras | |
| <u>Trashguards</u> & <u>Sweep Adaptors</u> for NT11..... | 38 |
| <u>Liquid Kits & Parts</u> | 39 |
| NT11, NT05 & NT09 Spare Parts | |
| <u>NT09 & NT05 Points & NT11 Point Holders & Pins</u> | 40 |
| <u>Closer Plates</u> to suit NT19, NT11, NT08 and earlier model..... | 41 |
| NT08 & NT03 SEEDING KITS & PARTS – <i>Single Bolt Tynes (e.g. cultivators)</i> | |
| <u>Full Seeding Kits</u> and <u>Boot & Bracket Only Kits</u> | 43 |
| <u>Spare Parts</u> – <u>NT08 Points, Brackets & Boots</u> | 44-45 |
| <u>NT08 Point & Boot Seeding Kits Price & Part Numbers Matrix</u> | 44 |

CONCORD KITS – *Side-Mounted Tynes*

| | |
|---|----|
| <u>NT11 Conversion Kit, NT05 Bolt-On Kit</u> and <u>Spare Parts</u> | 46 |
|---|----|

TABLE OF CONTENTS

HARROWS

| | PAGE |
|---|-------|
| Harrow Assemblies | |
| Harrow Gangs – Star Harrows & Coil Harrows..... | 47 |
| Telescopic Mounting Arms..... | 48 |
| Harrow Parts | |
| Tele-Arms, Turntable & U-Arms..... | 49-50 |
| Stars, Coils & Axles..... | 51 |

PRESSWHEELS

| | |
|---|----|
| Presswheel Assemblies | |
| Standard Presswheel Modules..... | 53 |
| Tyre Profile Options..... | 54 |
| Emu Tracker Presswheel Module & Parts..... | 55 |
| Fixed Extension Arms – Single & Double Options..... | 56 |
| Mounting Bar and Telescopic Extension Arms..... | 57 |
| Presswheel Parts | |
| Fixed Extension Components..... | 58 |
| Module Parts – 2002 Fabricated w Bushes..... | 59 |
| Module Parts – 2003 w Bushes..... | 60 |
| Module Parts – 2004 – <u>Current w Bearings</u> | 61 |
| Wheels, Tyres, Rims & Seals..... | 62 |

FASTENERS

| | |
|--|----|
| Pins, Bolts, Nuts & Washers..... | 63 |
| U-Bolts, V-Bolts & Backing Plates..... | 64 |

UPGRADES, MAINTENANCE & ASSEMBLY

| | |
|---|-------|
| Upgrades – Presswheel Mounts..... | 65 |
| Maintenance Tips..... | 66 |
| Tightening Torque Values..... | 67 |
| Assembly Instructions | |
| Seeding Kits & Extras..... | 68-76 |
| Presswheels & Fixed Extensions..... | 77 |
| Harrows & Telescopic Arms..... | 78-80 |
| Presswheels & Harrows in Combination..... | 81 |

QUICK REFERENCE GUIDE

| | |
|---|-------|
| Individual Parts Quick Reference Guide..... | 83-84 |
|---|-------|



Looking for a specific part number? Use this!

NT19 ADJUSTA-POINT & MULTI-BOOT SEEDING KITS

SUITS: DOUBLE-BOLT C-SHANK AND EDGE-ON TYNES WITH 1/2" BOLT HOLES (EXAMPLES LISTED ON PAGE 7)

- *Modular system
- *Four Adjusta-Point options (pictured on page 6)
- *Single-Row or Paired-Row
- * Single or Dual Shoot
- * Option for liquid in knife point slot and/or with seed
- * Trashguard included

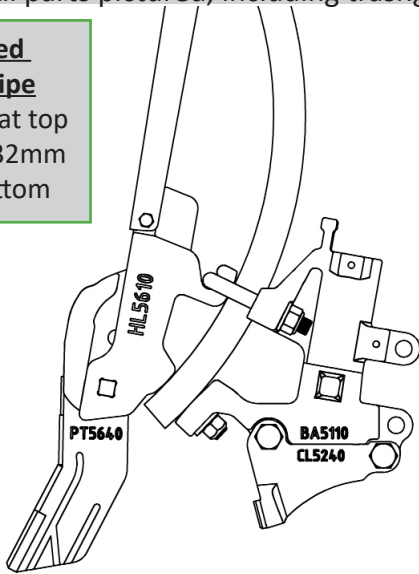
NT19 MULTIBOOT SEEDING KIT - SINGLE ROW

\$270 - \$305 +GST

Included: All parts pictured, including trashguard & fasteners.

SEE PAGE 7
FOR PART #'S
AND PRICING

**Tapered
Hose Pipe**
38mm ID at top
down to 32mm
ID at bottom



CLOSING TOOL OPTION

CL5240



Single-Row
45mm Closer

Dual Shoot Option
If you are looking for
a single-row
dual-shoot option,
please contact
Agmaster to discuss

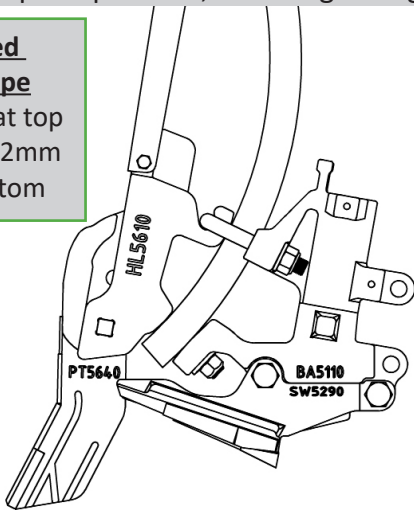
NT19 MULTIBOOT SEEDING KIT - PAIRED ROW

\$370 - \$465 +GST

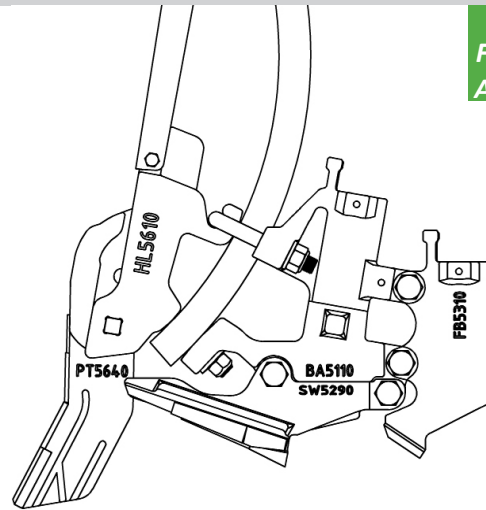
Included: All parts pictured, including trashguard & fasteners.

SEE PAGE 7
FOR PART #'S
AND PRICING

**Tapered
Hose Pipe**
38mm ID at top
down to 32mm
ID at bottom



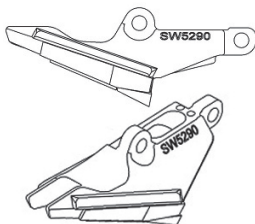
SINGLE SHOOT



DUAL SHOOT

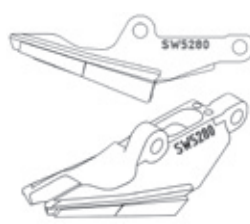
PAIRED-ROW SEEKER WING OPTIONS

SW5290



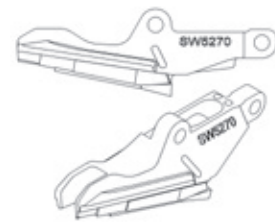
Paired-Row
95mm Seeker Wing
~75mm rows

SW5280



Paired-Row
85mm Seeker Wing
~65mm rows

SW5270



Paired-Row
75mm Seeker Wing
~55mm rows

SEE PAGE 6 FOR POINT OPTIONS TO SUIT THESE SEEDING KITS

ADJUSTA-POINT OPTIONS FOR NT19 MULTI BOOT KITS

* Four 14mm Adjusta-Point options

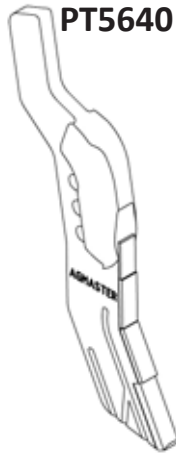
* Three height settings

* Lo-Thro or Straight profiles

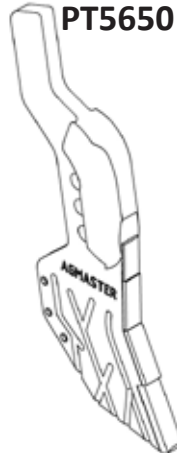
* Two different lengths

* Liquid or Standard available in both lengths/profiles

The kits pictured on [page 5](#) have the PT5640 point.



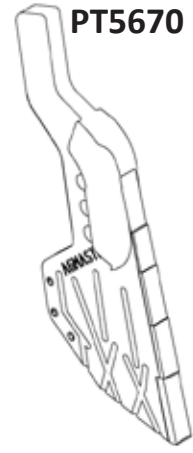
PT5640
Adjusta-Point
14mm Lo-Thro
Standard



PT5650
Adjusta-Point
14mm Lo-Thro
Liquid



PT5660
Adjusta-Point
14mm Straight
Standard



PT5670
Adjusta-Point
14mm Straight
Liquid

MULTI-BOOT ASSEMBLIES (NO POINT)

SUITS: DOUBLE-BOLT C-SHANK AND EDGE-ON TYNES WITH 1/2" BOLT HOLES (EXAMPLES LISTED ON PAGE 7)

* Behind-tyne assembly

* Compatible with NT19 and NT11 Point & Holder Systems

* Modular system

* Single or Dual Shoot

* Single-Row or Paired-Row

* Provision for liquid in knife point slot and/or with seed

MULTIBOOT ONLY ASSEMBLIES

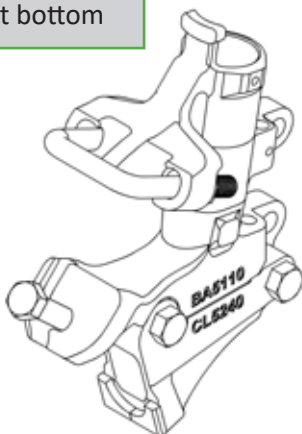
Included: All parts pictured, including fasteners.

\$125 - \$285 +GST

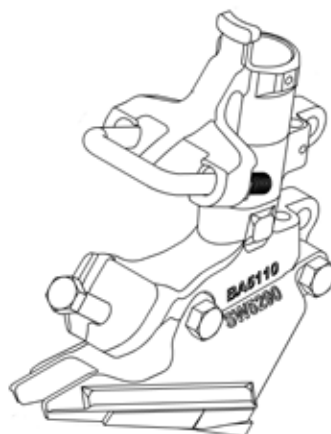
**SEE PAGE 7
FOR PART #'S
AND PRICING**

Tapered Hose Pipe

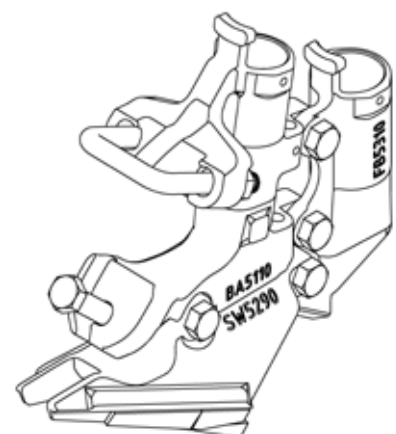
38mm ID at top
down to 32mm
ID at bottom



Single Row
Single Shoot










Paired-Row
Single Shoot



Paired-Row
Dual Shoot

SEE PAGE 8 FOR NT19 MULTIBOOT SPARE PARTS

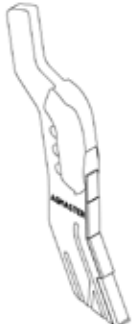
NT19 ADJUSTA-POINT & MULTIBOOT PRICES & PART NUMBERS MATRIX

| INSTRUCTIONS: 1. Identify "Tyne Class" relevant to your machine/tyne 2. Select point from left column 3. Select boot/closer from top row 4. Find part number & price relevant to your tyne class where your point & boot choice intersect | | TYNE CLASS 1: Standard C-Shank tynes with 1 1/2" bolt holes & 1 3/4" spacings Examples: Flexicoil 350lb (holes reamed to 1 1/2"), Morris 400lb, Bourgault, Ezee-On, Horwood Bagshaw C-Shank, Shearer Universal* | | TYNE CLASS 2: Standard C-Shank tynes with 1 1/2" bolt holes & 2 1/4" spacings Examples: Morris 650lb/Hydraulic, John Deere 1810-1830, Flexicoil 550lb/650lb/Hydraulic | | TYNE CLASS 3: Suits Edge-On tynes (wide foot with narrow shank) Examples: Horwood Bagshaw ScarfBar, Gasom Scarf/Hydra Till, Simplicity | | | | | | | | |
|--|--|--|---|--|--|--|--|------------------|------------------|--|--|--|--|---------|
| | | SINGLE ROW | | PAIRED ROW/SINGLE SHOOT | | PAIRED ROW/DUAL SHOOT | | | | | | | | |
| BOOTS MultiBoot Options  POINTS  NT19 14mm Adjusta-Point  |  PT5640 Lo-Thro Standard |  PT5650 Lo-Thro Liquid |  PT5660 Straight Standard |  PT5670 Straight Liquid | NO POINT Multiboot only kits are compatible with NT19 & NT11 points/holders | CL5240 45mm Closer | SW5290 95mm Wing | SW5280 85mm Wing | SW5270 75mm Wing | SW5290 95mm Wing & Dual Shoot Fert Boot | SW5280 85mm Wing & Dual Shoot Fert Boot | SW5270 75mm Wing & Dual Shoot Fert Boot | POINT & HOLDER ONLY KIT NO BOOT NT19 Point & Holder Kits include pins but no bolts | |
| | | | | | | PMB64611124 | PMB64611129 | PMB64611128 | PMB64611127 | PMB646112931 | PMB646112831 | PMB646112731 | | PTH6461 |
| | | | | | | PMB64611324 | PMB64611329 | PMB64611328 | PMB64611327 | PMB6461132931 | PMB6461132831 | PMB6461132731 | | PTH6461 |
| | | | | | | PMB64611424 | PMB64611429 | PMB64611428 | PMB64611427 | PMB6461142931 | PMB6461142831 | PMB6461142731 | | PTH6461 |
| | | | | | | PMB65611124 | PMB65611129 | PMB65611128 | PMB65611127 | PMB656112931 | PMB656112831 | PMB656112731 | | PTH6561 |
| | | | | | | PMB65611324 | PMB65611329 | PMB65611328 | PMB65611327 | PMB6561132931 | PMB6561132831 | PMB6561132731 | | PTH6561 |
| | | | | | | PMB65611424 | PMB65611429 | PMB65611428 | PMB65611427 | PMB6561142931 | PMB6561142831 | PMB6561142731 | | PTH6561 |
| | | | | | | PMB66611124 | PMB66611129 | PMB66611128 | PMB66611127 | PMB666112931 | PMB666112831 | PMB666112731 | | PTH6661 |
| | | | | | | PMB66611324 | PMB66611329 | PMB66611328 | PMB66611327 | PMB6661132931 | PMB6661132831 | PMB6661132731 | | PTH6661 |
| | | | | | | PMB66611424 | PMB66611429 | PMB66611428 | PMB66611427 | PMB6661142931 | PMB6661142831 | PMB6661142731 | | PTH6661 |
| | | | | | | PMB67611124 | PMB67611129 | PMB67611128 | PMB67611127 | PMB6761112931 | PMB6761112831 | PMB6761112731 | | PTH6761 |
| | | | | | | PMB67611324 | PMB67611329 | PMB67611328 | PMB67611327 | PMB6761132931 | PMB6761132831 | PMB6761132731 | | PTH6761 |
| PMB67611424 | PMB67611429 | PMB67611428 | PMB67611427 | PMB6761142931 | PMB6761142831 | PMB6761142731 | PTH6761 | | | | | | | |
| BMB1124 | BMB1129 | BMB1128 | BMB1127 | BMB112931 | BMB112831 | BMB112731 | PTH6761 | | | | | | | |
| BMB1324 | BMB1329 | BMB1328 | BMB1327 | BMB132931 | BMB132831 | BMB132731 | PTH6761 | | | | | | | |
| BMB1424 | BMB1429 | BMB1428 | BMB1427 | BMB142931 | BMB142831 | BMB142731 | PTH6761 | | | | | | | |
| | | | | | | | * If ordering for a Shearer Universal, please make sure this is noted when you order so the correct trashguard is supplied | | | | | | | |

Use one of our online building tools for Seeding Kits and Presswheels to help you with specific part numbers, calculations and prices.

Points (Cast Mild Steel)

PT5640



Adjusta-Point
14mm Lo-Thro
Standard

PT5650



Adjusta-Point
14mm Lo-Thro
Liquid

PT5660



Adjusta-Point
14mm Straight
Standard

PT5670



Adjusta-Point
14mm Straight
Liquid

| | | Exc | Inc |
|--------|--------------------------------------|----------|----------|
| PT5640 | 14mm Adjusta-Point Lo-Thro Standard | \$ 90.00 | \$ 99.00 |
| PT5650 | 14mm Adjusta-Point Lo-Thro Liquid | \$120.00 | \$132.00 |
| PT5660 | 14mm Adjusta-Point Straight Standard | \$ 90.00 | \$ 99.00 |
| PT5670 | 14mm Adjusta-Point Straight Liquid | \$120.00 | \$132.00 |

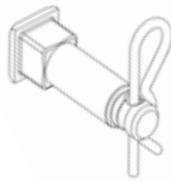
HOLDERS & FASTENERS

HL5610



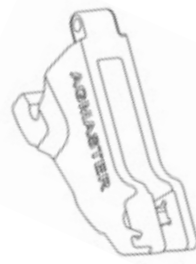
Adjusta-Point
Holder 2021-Current
Uses pin PIR41/PIS41

PIR41



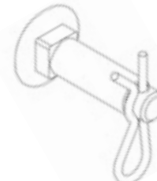
12mm Square Head
Pin & R Clip for
Adjusta-Point
For holder HL5610

HL5600



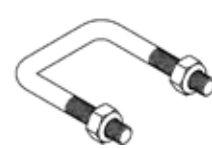
Adjusta-Point
Holder 2018-2020
Uses Pin PIR45/PIS45

PIR45



12mm Cuphead Pin
& R Clip for
Adjusta-Point
For holder HL5600

UBN56XX



U-Bolt to secure
point holder
& boot adapter

| | | Exc | Inc |
|----------|---|---------|---------|
| HL5610 | Adjusta-Point Holder 2021- current | \$25.00 | \$27.50 |
| PIR41 | Pin 12mm x 41mm Square & R Clip for HL5610 | \$ 2.20 | \$ 2.42 |
| PIS41 | Pin 12mm x 41mm Square & Split Pin for HL5610 | \$ 2.00 | \$ 2.20 |
| HL5600 | Adjusta-Point Holder 2018-2020 | \$25.00 | \$27.50 |
| PIR45 | Pin 12mm x 45mm Cup Head & R Clip for HL5600 | \$ 2.20 | \$ 2.42 |
| PIS45 | Pin 12mm x 45mm Cup Head & Split Pin for HL5600 | \$ 2.00 | \$ 2.20 |
| PI12A41 | Pin 12mm x 41mm Square for HL5610 | \$ 1.90 | \$ 2.09 |
| PI12A45 | Pin 12mm x 45mm Cup Head for HL5600 | \$ 1.90 | \$ 2.09 |
| PI432R | R-Clip 2.5 x 43mm | \$ 0.40 | \$ 0.44 |
| PI325S | Split Pin 3 x 25mm | \$ 0.20 | \$ 0.22 |
| UBN5611 | M12 U-Bolt 80x52 w/ Nuts & Washers - for Adjusta-Point to Multi-Boot | \$ 5.00 | \$ 5.50 |
| UBN5612* | M12 U-Bolt 90x52 w/ Nuts & Washers - for Adjusta-Point to NT11 Seeker | \$ 5.00 | \$ 5.50 |
| UBN5613 | M12 U-Bolt <u>Bent</u> 80x52 w/ Nuts & Washers - for Adjusta-Point to NT11 Rigid Boot | \$ 5.00 | \$ 5.50 |
| | * Requires 1x UB5620 - Backing Plate for NT11 Seeker Boot | \$ 5.00 | \$ 5.50 |

Use one of our online building tools for Seeding Kits and Presswheels to help you with specific part numbers, calculations and prices.

NT19 ADJUSTA-POINT & RIGID BOOT SEEDING KITS

SUITS: DOUBLE-BOLT C-SHANK AND EDGE-ON TYNES WITH 1/2" BOLT HOLES (EXAMPLES LISTED ON PAGE 11)

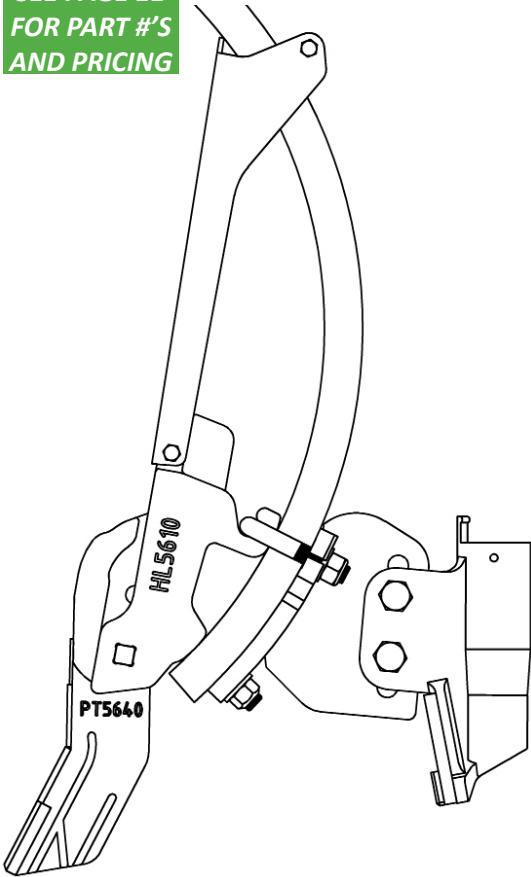
- * Progression of our popular NT11 Point & Rigid Boot Kits
- * Multiple height-adjustable seeding boots
- * Four Adjusta-Point options
- * Single or Dual Shoot
- * Easy access pin and bolts
- * Option for liquid in knife point slot and/or with seed (select boots only)
- * Trashguard included

NT19 RIGID BOOT

Included: All parts pictured, including trashguard & fasteners.

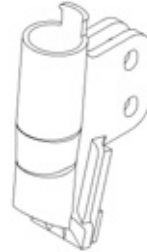
\$265 - \$405 +GST

**SEE PAGE 11
FOR PART #'S
AND PRICING**



BOOT OPTIONS

BT2540/BT2550

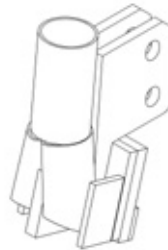


Standard Single Shoot Boot
40mm or 50mm Closer

Wetter with Seed Option

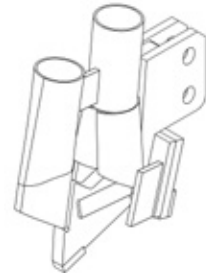
Provision for liquid/wetter with the seed now comes standard on Single-Shoot Boots BT2540 & BT2550

BT2370



"Y" Tube Single Shoot Boot
65mm Closer

BT2390



Dual Shoot Boot
65mm Closer

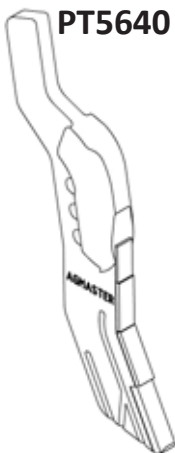
Hose Pipe: All boots are 38mm ID at top. Cast boots (BT2540/BT2550) taper down to 32mm ID to suit narrower hose sizes

ADJUSTA-POINT OPTIONS FOR NT19 RIGID BOOT KITS

- * Four 14mm Adjusta-Point options
- * Three height settings
- * Lo-Thro or Straight profiles
- * Two different lengths
- * Liquid or Standard available in both lengths/profiles

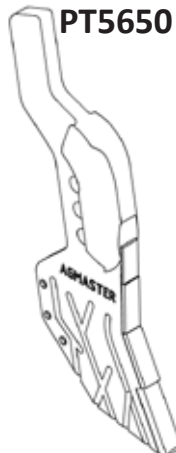
The kit pictured above has the PT5640 point.

PT5640



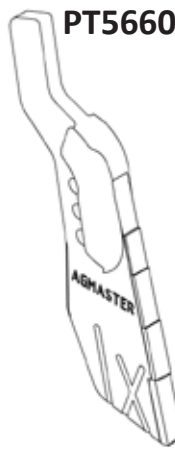
Adjusta-Point
14mm Lo-Thro
Standard

PT5650



Adjusta-Point
14mm Lo-Thro
Liquid

PT5660



Adjusta-Point
14mm Straight
Standard

PT5670










Adjusta-Point
14mm Straight
Liquid

LIQUID POINT KITS: Kits with liquid points do not include parts for directing liquid to back of point.

See page 14 for NT19 Liquid Kits

NT19 ADJUSTA POINT & RIGID BOOT SEEDING KITS MATRIX

| INSTRUCTIONS: | | | | | | | | | | | |
|---|------------|---|--------------------|---|----------------------------------|--|---------------|--|---------------|--|---------------|
| 1. Identify "Tyne Class" relevant to your machine/tyne | | | | 3. Select boot/closer from top row | | | | 4. Find part number & price relevant to your tyne class where your point & boot choice intersect | | | |
| 2. Select Point from left column | | | | | | | | | | | |
| C-SHANK TYNE CLASS 1: | | Standard C-Shank tynes with 1/2" bolt holes & 1 3/4" spacings <i>Examples:</i> Morris 400lb, Flexicoil 350lb (holes reamed to 1/2"), Bourgault, Ezee-On, Horwood Bagshaw C-Shank | | | | | | | | | |
| C-SHANK TYNE CLASS 2: | | Standard C-Shank tynes with 1/2" bolt holes & 2 1/4" spacings <i>Examples:</i> Morris 650lb/Hydraulic, John Deere 1810-1830, Flexicoil 550lb/650lb/Hydraulic | | | | | | | | | |
| EDGE-ON TYNE CLASS 3: | | Edge-On tynes (wide foot with narrow shank) with 1/2" bolt holes <i>Examples:</i> Horwood Bagshaw ScariBar, Gason Scari/Hydra Till & Shearer Universal | | | | | | | | | |
| BOOTS Rigid Boot Options | | BT2540 40mm Closer | BT2550 50mm Closer | BT2370 65mm Closer | BT2390 65mm Closer Dual Shoot | POINT & HOLDER KIT NO BOOT NT19 Point & Holder Kits include pins but no bolts | | | | | |
| POINTS NT19 14mm Adjusta-Point | |  | |  | | | | | |  | |
|  | C-SHANK #1 | PHB64618154 | PHB64618155 | PHB64618137 | PHB64618139 | PTH6461 | | | | | |
| | C-SHANK #2 | PHB64618354 | \$265 +GST | PHB64618355 | \$265 +GST | PHB64618337 | \$330 +GST | PHB64618339 | \$375 +GST | PTH6461 | \$115 +GST |
| | EDGE-ON #3 | PHB64618454 | PHB64618455 | PHB64618437 | PHB64618439 | PTH6461 | | | | | |
|  | C-SHANK #1 | PHB65618154 | PHB65618155 | PHB65618137 | PHB65618139 | PTH6561 | | | | | |
| | C-SHANK #2 | PHB65618354 | \$295 +GST | PHB65618355 | \$295 +GST | PHB65618337 | \$360 +GST | PHB65618339 | \$405 +GST | PTH6561 | \$145 +GST |
| | EDGE-ON #3 | PHB65618454 | PHB65618455 | PHB65618437 | PHB65618439 | PTH6561 | | | | | |
|  | C-SHANK #1 | PHB66618154 | PHB66618155 | PHB66618137 | PHB66618139 | PTH6661 | | | | | |
| | C-SHANK #2 | PHB66618354 | \$265 +GST | PHB66618355 | \$265 +GST | PHB66618337 | \$330 +GST | PHB66618339 | \$375 +GST | PTH6661 | \$115 +GST |
| | EDGE-ON #3 | PHB66618454 | PHB66618455 | PHB66618437 | PHB66618439 | PTH6661 | | | | | |
|  | C-SHANK #1 | PHB67618154 | PHB67618155 | PHB67618137 | PHB67618139 | PTH6761 | | | | | |
| | C-SHANK #2 | PHB67618354 | \$295 +GST | PHB67618355 | \$295 +GST | PHB67618337 | \$360 +GST | PHB67618339 | \$405 +GST | PTH6761 | \$145 +GST |
| | EDGE-ON #3 | PHB67618454 | PHB67618455 | PHB67618437 | PHB67618439 | PTH6761 | | | | | |
| NO POINT NT19 Boot & Bracket kits will only fit with NT19 Adjusta-Points | C-SHANK #1 | BRB8154 | BRB8155 | BRB8137 | BRB8139 | | | | | | |
| | C-SHANK #2 | BRB8354 | \$120 +GST | BRB8355 | \$120 +GST | BRB8337 | \$185 +GST | BRB8339 | \$230 +GST | | |
| | EDGE-ON #3 | BRB8454 | BRB8455 | BRB8437 | BRB8439 | | | | | | |

NT19 RIGID BOOT REPLACEMENT PARTS

Points – Cast Mild Steel



Adjusta-Point
14mm Lo-Thro
Standard



Adjusta-Point
14mm Lo-Thro
Liquid



Adjusta-Point
14mm Straight
Standard



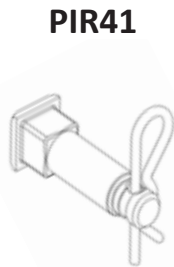
Adjusta-Point
14mm Straight
Liquid

| | | Exc | Inc |
|---------------|--------------------------------------|----------|----------|
| PT5640 | 14mm Adjusta-Point Lo-Thro Standard | \$ 90.00 | \$ 99.00 |
| PT5650 | 14mm Adjusta-Point Lo-Thro Liquid | \$120.00 | \$132.00 |
| PT5660 | 14mm Adjusta-Point Straight Standard | \$ 90.00 | \$ 99.00 |
| PT5670 | 14mm Adjusta-Point Straight Liquid | \$120.00 | \$132.00 |

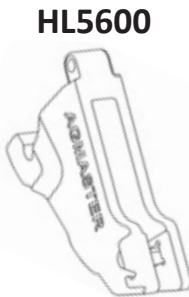
Holder & Fasteners



Adjusta-Point
Holder 2021-Current
Uses pin PIR41/PIS41



12mm Square Head
Pin & R Clip for
Adjusta-Point
For holder HL5610



Adjusta-Point
Holder 2018-2020
Uses Pin PIR45/PIS45



12mm Cuphead Pin
& R Clip for
Adjusta-Point
For holder HL5600



U-Bolt to secure
point holder
& boot adapter

| | | Exc | Inc |
|-----------------|--|---------|---------|
| HL5610 | Adjusta-Point Holder 2021- current | \$25.00 | \$27.50 |
| PIR41 | Pin 12mm x 41mm Square & R Clip for HL5610 | \$ 2.20 | \$ 2.42 |
| PIS41 | Pin 12mm x 41mm Square & Split Pin for HL5610 | \$ 2.00 | \$ 2.20 |
| HL5600 | Adjusta-Point Holder 2018-2020 | \$25.00 | \$27.50 |
| PIR45 | Pin 12mm x 45mm Cup Head & R Clip for HL5600 | \$ 2.20 | \$ 2.42 |
| PIS45 | Pin 12mm x 45mm Cup Head & Split Pin for HL5600 | \$ 2.00 | \$ 2.20 |
| PI12A41 | Pin 12mm x 41mm Square for HL5610 | \$ 1.90 | \$ 2.09 |
| PI12A45 | Pin 12mm x 45mm Cup Head for HL5600 | \$ 1.90 | \$ 2.09 |
| PI432R | R-Clip 2.5 x 43mm | \$ 0.40 | \$ 0.44 |
| PI325S | Split Pin 3 x 25mm | \$ 0.20 | \$ 0.22 |
| UBN2001 | M12 U-Bolt 65x52 w/ Nuts & Washers - for Adjusta-Point to Rigid Boot For Class #1 tynes listed in Matrix Pg11 | \$ 5.00 | \$ 5.50 |
| UBN5611 | M12 U-Bolt 80x52 w/ Nuts & Washers - for Adjusta-Point to Rigid Boot For Class #2 or #3 tynes listed in Matrix Pg11 | \$ 5.00 | \$ 5.50 |
| UBN5612* | M12 U-Bolt 90x52 w/ Nuts & Washers - for Adjusta-Point to NT11 Seeker | \$ 5.00 | \$ 5.50 |
| UBN5613 | M12 U-Bolt <u>Bent</u> 80x52 w/ Nuts & Washers - for Adjusta-Point to NT11 Rigid Boot | \$ 5.00 | \$ 5.50 |
| | * Requires 1x UB5620 - Backing Plate for NT11 Seeker Boot | \$ 5.00 | \$ 5.50 |

Boots & Brackets

**BT2540
BT2550**



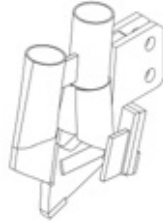
Standard Single
Shoot Boot
40 or 50mm Closer

BT2370



"Y" Tube
Single Shoot Boot
65mm Closer

BT2390



Dual Shoot Boot
65mm Closer

**BR5810
BR5820**



NT19 C-Shank
Bracket for
Rigid Boots

BR5840



NT19 Edge-On
Bracket for
Rigid Boots

UBNXXXX



U-bolt for point
holder & bracket

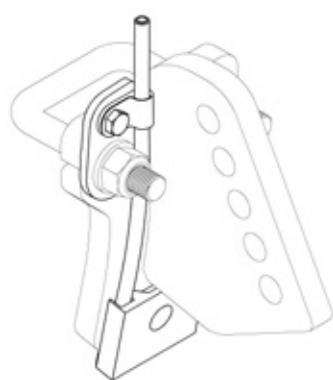
Wetter with Seed Option: Provision for liquid/wetter with the seed now comes standard on Single-Shoot Boots BT2540 & BT2550.

**SEE PAGE 41 FOR REPLACEMENT
WELD-ON CLOSER PLATES**

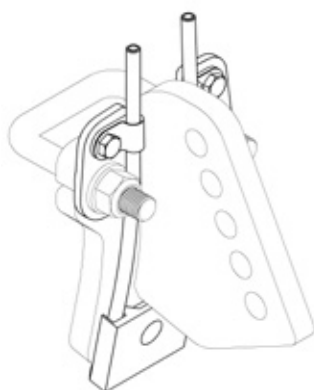
| | | Exc | Inc |
|----------------|--|----------|----------|
| BR5810 | NT19 C-Shank Rigid Boot Bracket 2019 - 2023 Model | \$ 55.00 | \$ 60.50 |
| BR5820 | NT19 C-Shank Rigid Boot Bracket 2024 - Current Model w improved boot plate angle | \$ 55.00 | \$ 60.50 |
| BR5840 | NT19 Edge-On Rigid Boot Bracket | \$ 55.00 | \$ 60.50 |
| BT2540 | 40mm Closer Single Shoot recommended for use with 12mm Point | \$ 60.00 | \$ 66.00 |
| BT2550 | 50mm Closer Single Shoot recommended for use with 16mm Point | \$ 60.00 | \$ 66.00 |
| BT2370 | 65mm Closer with 'Y' Tube Single Shoot | \$125.00 | \$137.50 |
| BT2380 | 65mm Closer with Side-by-Side Tubes | \$125.00 | \$137.50 |
| BT2390 | 65mm Closer Dual Shoot with 'Y' seed spreader at front and fertiliser tube behind | \$170.00 | \$187.00 |
| BT2399 | Split Fert Knife Weld-on | \$ 23.00 | \$ 25.30 |
| BT2398 | Split Boot Side Pipe Protectors hardfaced (price per set of 2) | \$ 10.00 | \$ 11.00 |
| UBN2001 | M12 U-Bolt 65x52 w/ Nuts & Washers - for Adjusta-Point to Rigid Boot For Class #1 tynes listed in Matrix Pg11 | \$ 5.00 | \$ 5.50 |
| UBN5611 | M12 U-Bolt 80x52 w/ Nuts & Washers - for Adjusta-Point to Rigid Boot For Class #2 or #3 tynes listed in Matrix Pg11 | \$ 5.00 | \$ 5.50 |
| BNW122 | ½" x 2" Bolt, Nut & Washer for securing boot to bracket (2 required per boot) | \$ 3.00 | \$ 3.30 |

Hose Pipe: All boots are 38mm ID at top. Cast boots (BT2540/
BT2550) taper down to 32mm ID to suit narrower hose sizes

NT19 RIGID BOOT LIQUID KITS



Liquid Kit Single



Liquid Kit Double

| | Exc | Inc |
|----------------------------|-----------------|-----------------|
| Liquid Kit - Single | \$ 35.00 | \$ 38.50 |
| Liquid Kit - Double | \$ 52.00 | \$ 57.20 |

- LFK51** NT19/NT11 Liquid Fertiliser Kit - Single to take flexible 3mm tube with 6mm casing
- LFK52** NT19/NT11 Liquid Fertiliser Kit - Double to take flexible 3mm tube with 6mm casing
- LFK53** NT19/NT11 Liquid Fertiliser Kit - Single to take 4-6mm flexible tube with 10mm casing
- LFK54** NT19/NT11 Liquid Fertiliser Kit - Double to take 4-6mm flexible tube with 10mm casing

PLEASE NOTE: Our liquid kits have been designed for use with NT19/NT11 Rigid Boots but some users have modified them to suit Flexi-Boots in the past. **Contact Agmaster for more information if required.**

NT19/NT11 Liquid Kit Parts



LF2510
LF2530



LF2520
LF2540



LF2550



LF2570
LF2580



PC6S
PC10S

| | | Exc | Inc |
|-----------------|--|-----------------|-----------------|
| LF2510 | Liquid Fertiliser Clamp Plate - Single - Suit 3mm tube/6mm casing | \$ 20.00 | \$ 22.00 |
| LF2520 | Liquid Fertiliser Clamp Plate - Double - Suit 3mm tube/6mm casing | \$ 22.00 | \$ 24.20 |
| LF2530 | Liquid Fertiliser Clamp Plate - Single - Suit 4-6mm tube/10mm casing | \$ 20.00 | \$ 22.00 |
| LF2540 | Liquid Fertiliser Clamp Plate - Double - Suit 4-6mm tube/10mm casing | \$ 22.00 | \$ 24.20 |
| LF2550 | Liquid Fertiliser 'P' Clamp Lug | \$ 6.00 | \$ 6.60 |
| LF2570 | Liquid Fertiliser casing 6mm Shaped - to suit 3mm tube | \$ 7.00 | \$ 7.70 |
| LF2580 | Liquid Fertiliser casing 10mm Shaped - to suit 4-6mm tube | \$ 7.00 | \$ 7.70 |
| PC6S. | P Clamp 6mm Stainless Steel | \$ 2.00 | \$ 2.20 |
| PC10S | P Clamp 10mm Stainless Steel | \$ 2.00 | \$ 2.20 |
| BON6M16S | Bolt 6mm x 16mm Stainless Steel and Nylock Nut | \$ 0.70 | \$ 0.77 |

NT19 ADJUSTA-POINT & FLEXIBOOT SEEDING KITS

SUITS: DOUBLE-BOLT C-SHANK AND EDGE-ON TYNES WITH 1/2" BOLT HOLES (EXAMPLES LISTED ON PAGE 16)

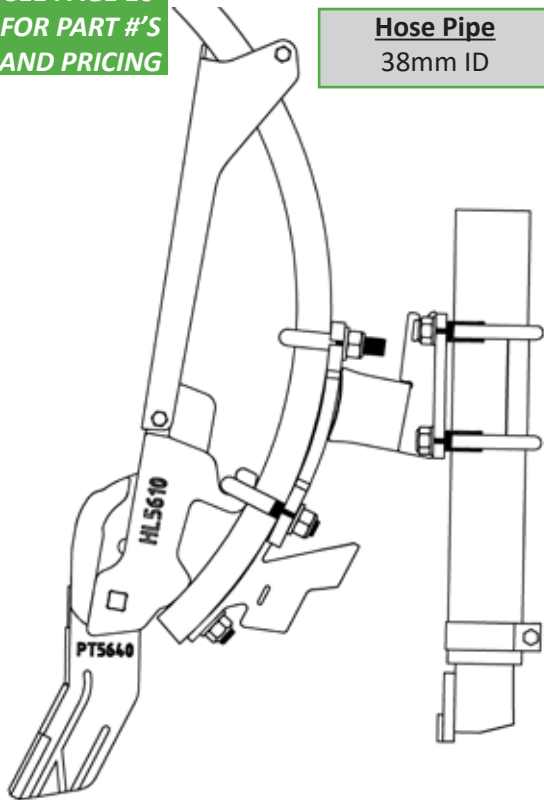
- * Progression of our NT11 Point & Flexiboot Kits
- * Four Adjusta-Point options
- * Easy access pin and bolts
- * Height-adjustable flexible boot made with hydraulic hose and inner spring
- * Single or Dual Shoot
- * Option for liquid in knife point slot (using modified liquid kit)
- * Trashguard included

NT19 FLEXIBOOT

\$345 - \$375 +GST

Included: All parts pictured, including trashguard & fasteners.

SEE PAGE 16
FOR PART #'S
AND PRICING



BOOT OPTIONS

FB2840



Flexiboot with 40mm Closer
Recommended width

FB2850



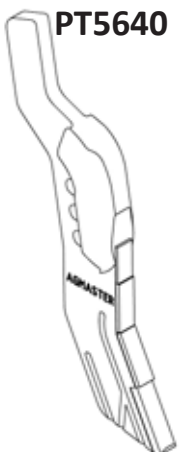
Flexiboot with 50mm Closer

Pipe size of boots is 38 mm inside diameter.

ADJUSTA-POINT OPTIONS FOR NT19 FLEXIBOOT KITS

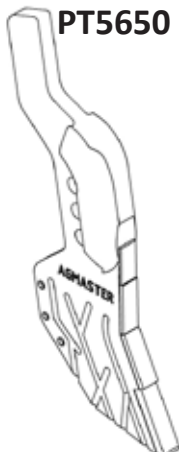
- * Four 14mm Adjusta-Point options
 - * Three height settings
 - * Lo-Thro or Straight profiles
 - * Two different lengths
 - * Liquid or Standard available in both lengths/profiles
- The kit pictured above has the PT5640 point.

PT5640



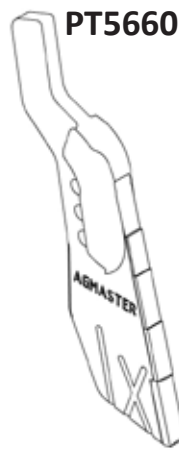
Adjusta-Point
14mm Lo-Thro
Standard

PT5650



Adjusta-Point
14mm Lo-Thro
Liquid

PT5660



Adjusta-Point
14mm Straight
Standard

PT5670



Adjusta-Point
14mm Straight
Liquid

PLEASE NOTE: Liquid point kits do not include parts for directing liquid to back of point. Our liquid kits have been designed for use with NT19/NT11 Rigid Boots but some users have modified them to suit Flexiboots in the past. [See page 14 for liquid kits and contact Agmaster for more information if required.](#)

NT19 ADJUSTA POINT & FLEXIBOOT SEEDING KITS MATRIX

INSTRUCTIONS:

1. Identify "Tyne Class" relevant to your machine/tyne
2. Select Point from left column

3. Select boot/closer from top row

4. Find part number & price relevant to your tyne class where your point & boot choice intersect

| | |
|------------------------------|--|
| C-SHANK TYNE CLASS 1: | Standard C-Shank tynes with 1/2" bolt holes & 1 3/4" spacings <i>Examples:</i> Morris 400lb, Flexicoil 350lb (holes reamed to 1/2"), Bourgault, Ezee-On, Horwood Bagshaw C-Shank |
| C-SHANK TYNE CLASS 2: | Standard C-Shank tynes with 1/2" bolt holes & 2 1/4" spacings <i>Examples:</i> Morris 650lb/Hydraulic, John Deere 1810-1830, Flexicoil 550lb/650lb/Hydraulic |
| EDGE-ON TYNE CLASS 3: | Edge-On tynes (wide foot with narrow shank) with 1/2" bolt holes <i>Examples:</i> Horwood Bagshaw ScariBar, Gason Scari/Hydra Till, Shearer Universal, Simplicity |

| <p>BOOTS Flexiboot Options</p> <p>POINTS NT19 14mm Adjusta-Point</p> | FLEXIBOOT & BRACKET | | POINT & HOLDER |
|--|-------------------------------------|--------------------|---------------------------|
| | FB2840 40mm Closer (Recommended) | FB2850 50mm Closer | |
| | | | |

| | | | | | | | |
|--|------------------------|-------------|---------------|-------------|---------------|---------|---------------|
| <p>PT5640 Lo-Thro Standard</p> | C-SHANK TYNE #1 | PHB64619184 | \$345 +GST | PHB64619185 | \$345 +GST | PTH6461 | \$115 +GST |
| | C-SHANK TYNE #2 | PHB64619384 | | PHB64619385 | | PTH6461 | |
| | C-SHANK TYNE #3 | PHB64619484 | | PHB64619485 | | PTH6461 | |
| <p>PT5650 Lo-Thro Liquid</p> | C-SHANK TYNE #1 | PHB65619184 | \$375 +GST | PHB65619185 | \$375 +GST | PTH6561 | \$145 +GST |
| | C-SHANK TYNE #2 | PHB65619384 | | PHB65619385 | | PTH6561 | |
| | C-SHANK TYNE #3 | PHB65619484 | | PHB65619485 | | PTH6561 | |
| <p>PT5660 Straight Standard</p> | C-SHANK TYNE #1 | PHB66619184 | \$345 +GST | PHB66619185 | \$345 +GST | PTH6661 | \$115 +GST |
| | C-SHANK TYNE #2 | PHB66619384 | | PHB66619385 | | PTH6661 | |
| | C-SHANK TYNE #3 | PHB66619484 | | PHB66619485 | | PTH6661 | |
| <p>PT5670 Straight Liquid</p> | C-SHANK TYNE #1 | PHB67619184 | \$375 +GST | PHB67619185 | \$375 +GST | PTH6761 | \$145 +GST |
| | C-SHANK TYNE #2 | PHB67619384 | | PHB67619385 | | PTH6761 | |
| | C-SHANK TYNE #3 | PHB67619484 | | PHB67619485 | | PTH6761 | |
| <p>NO POINT NT19 Boot & Bracket kits will only fit with NT19 Adjusta-Points</p> | C-SHANK TYNE #1 | BRB9184 | \$200 +GST | BRB9185 | \$200 +GST | | |
| | C-SHANK TYNE #2 | BRB9384 | | BRB9385 | | | |
| | C-SHANK TYNE #3 | BRB9484 | | BRB9485 | | | |

NT19 FLEXI BOOT REPLACEMENT PARTS

Points (Cast Mild Steel)

PT5640



*Adjusta-Point
14mm Lo-Thro
Standard*

PT5650



*Adjusta-Point
14mm Lo-Thro
Liquid*

PT5660



*Adjusta-Point
14mm Straight
Standard*

PT5670



*Adjusta-Point
14mm Straight
Liquid*

| | | Exc | Inc |
|---------------|--------------------------------------|----------|----------|
| PT5640 | 14mm Adjusta-Point Lo-Thro Standard | \$90.00 | \$ 99.00 |
| PT5650 | 14mm Adjusta-Point Lo-Thro Liquid | \$120.00 | \$132.00 |
| PT5660 | 14mm Adjusta-Point Straight Standard | \$90.00 | \$ 99.00 |
| PT5670 | 14mm Adjusta-Point Straight Liquid | \$120.00 | \$132.00 |

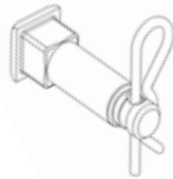
Holdings & Fasteners

HL5610



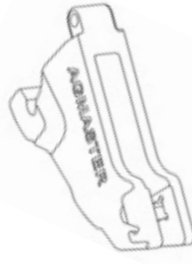
*Adjusta-Point
Holder 2021-Current
Uses pin PIR41/PIS41*

PIR41



*12mm Square Head
Pin & R Clip for
Adjusta-Point
For holder HL5610*

HL5600



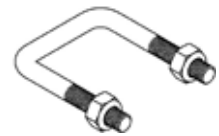
*Adjusta-Point
Holder 2018-2020
Uses Pin PIR45/PIS45*

PIR45



*12mm Cuphead Pin
& R Clip for
Adjusta-Point
For holder HL5600*

UBNXXXX



*U-Bolt to secure
point holder
& boot adapter*

| | | Exc | Inc |
|----------------|--|---------|---------|
| HL5610 | Adjusta-Point Holder 2021- current | \$25.00 | \$27.50 |
| PIR41 | Pin 12mm x 41mm Square & R Clip for HL5610 | \$ 2.20 | \$ 2.42 |
| PIS41 | Pin 12mm x 41mm Square & Split Pin for HL5610 | \$ 2.00 | \$ 2.20 |
| HL5600 | Adjusta-Point Holder 2018-2020 | \$25.00 | \$27.50 |
| PIR45 | Pin 12mm x 45mm Cup Head & R Clip for HL5600 | \$ 2.20 | \$ 2.42 |
| PIS45 | Pin 12mm x 45mm Cup Head & Split Pin for HL5600 | \$ 2.00 | \$ 2.20 |
| PI12A41 | Pin 12mm x 41mm Square for HL5610 | \$ 1.90 | \$ 2.09 |
| PI12A45 | Pin 12mm x 45mm Cup Head for HL5600 | \$ 1.90 | \$ 2.09 |
| PI432R | R-Clip 2.5 x 43mm | \$ 0.40 | \$ 0.44 |
| PI325S | Split Pin 3 x 25mm | \$ 0.20 | \$ 0.22 |
| UBN2001 | M12 U-Bolt 65x52 w/ Nuts & Washers - for Adjusta-Point to Flexi-Boot <i>For Class #1 & #2 tynes listed in Matrix Pg16</i> | \$ 5.00 | \$ 5.50 |
| UBN5611 | M12 U-Bolt 80x52 w/ Nuts & Washers - for Adjusta-Point to Flexi-Boot <i>For Class #3 tynes listed in Matrix Pg16</i> | \$ 5.00 | \$ 5.50 |

Flexi Boots & Other Parts



FB2840
FB2850



FB2870



HC52T



FB2834
FB2835



CL2844
CL2845



SP2880

| | | Exc | Inc |
|---------------|-------------------------------------|----------|----------|
| FB2870 | Flexi Boot hose 340mm long | \$ 35.00 | \$ 38.50 |
| HC52T | Hose Clamp | \$ 5.00 | \$ 5.50 |
| FB2840 | Flexi Boot 40mm Closer – Inc SP2880 | \$ 95.00 | \$104.50 |
| FB2850 | Flexi Boot 50mm Closer – Inc SP2880 | \$ 95.00 | \$104.50 |
| FB2834 | Hose Insert with 40mm Closer | \$ 50.00 | \$ 55.00 |
| FB2835 | Hose Insert with 50mm Closer | \$ 50.00 | \$ 55.00 |
| CL2844 | Closer Plate, weld-on, 40mm wide | \$ 25.00 | \$ 27.50 |
| CL2845 | Closer Plate, weld-on, 50mm wide | \$ 25.00 | \$ 27.50 |
| SP2880 | Spring Inner 200 x 37 | \$ 10.00 | \$ 11.00 |

Brackets & Fasteners



FB2910
FB2940



FB2980



FB2810



FB2820



UBN200X
UBN5611



UBN2007

| | | Exc | Inc |
|----------------|--|----------|----------|
| FB2910 | * Suits two bolt flat-on tynes | \$ 65.00 | \$ 71.50 |
| FB2940 | ** Suits two bolt edge on tynes | \$ 65.00 | \$ 71.50 |
| FBH2980 | Hose support bracket with hose clamp | \$ 20.00 | \$ 22.00 |
| FB2810 | Support Saddle <i>one required per hose</i> | \$ 5.00 | \$ 5.50 |
| FB2820 | Grip Clamp <i>one required per hose</i> | \$ 5.00 | \$ 5.50 |
| UBN2001 | M12 U-bolt 65 x 52 w Nuts & Washers | \$ 5.00 | \$ 5.50 |
| UBN2002 | M12 U-bolt 90 x 30 w Nuts & Washers | \$ 5.00 | \$ 5.50 |
| UBN5611 | M12 U-bolt 80 x 52 w Nuts & Washers | \$ 5.00 | \$ 5.50 |
| UBN2007 | M10 U-Bolt w Nuts & Washers to clamp hose to bracket <i>2 required per hose</i> | \$ 5.00 | \$ 5.50 |
| | * Uses 2x UBN2001 | | |
| | ** Uses 1x UBN2002 & 1x UBN5611 | | |

NT19 EXTRAS

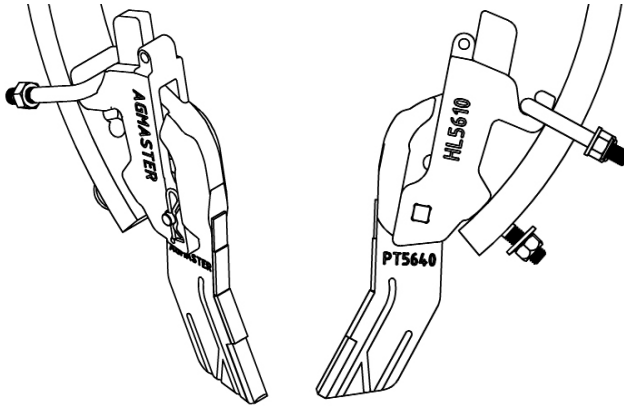
SUITS: DOUBLE-BOLT C-SHANK AND EDGE-ON TYNES WITH 1/2" BOLT HOLES

* Front-of-tyne assembly *Four NT19 Adjusta-Point options *Compatible with full Agmaster Seeding Boot range

NT19 POINT & HOLDER KITS (NO BOOT)

Included: Point, Holder & Pin only. No bolts/u-bolts.

\$115 - \$145 +GST



**SEE PAGE 17 FOR
POINT OPTIONS &
SPARE PARTS**

U-bolt and tyne bolt to be ordered separately as these vary depending on seeding boot type and machine/tyne specifications. Contact Agmaster if you require assistance.

| | | Exc | Inc |
|----------------|--|-----------|-----------|
| PTH6461 | NT19 Adjusta-Point & Holder Kit w Lo-Thro Standard PT5640 Point | \$ 115.00 | \$ 126.50 |
| PTH6561 | NT19 Adjusta-Point & Holder Kit w Lo-Thro Liquid PT5650 Point | \$ 145.00 | \$ 159.50 |
| PTH6661 | NT19 Adjusta-Point & Holder Kit w Straight Standard PT5660 Point | \$ 115.00 | \$ 126.50 |
| PTH6761 | NT19 Adjusta-Point & Holder Kit w Straight Liquid PT5670 Point | \$ 145.00 | \$ 159.50 |

NT19 TRASHGUARDS

Will only fit up to NT19 Series Adjusta-Point Holders (HL5600/HL5610)



**TGB5750
TGB5730**



**TG5750
TG5730**



BON8M65



BON8M45

| | | Exc | Inc |
|----------------|--|----------|----------|
| TGB5750 | NT19 Adjusta-Point Trashguard with bolts– Flat-on Tyne | \$ 30.00 | \$ 33.00 |
| TGB5730 | NT19 Adjusta-Point Trashguard with bolts– Edge-on Tyne | \$ 30.00 | \$ 33.00 |
| TG5750 | * NT19 Trashguard for flat-on tyne | \$ 29.00 | \$ 31.90 |
| TG5730 | ** NT19 Trashguard for edge-on tyne | \$ 29.00 | \$ 31.90 |
| BON8M65 | Bolt M8 x 65 with nut | \$ 1.00 | \$ 1.10 |
| BON8M45 | Bolt M8 x 45 with nut | \$ 1.00 | \$ 1.10 |

* Uses 1x BON8M65 & 1x BON8M45

** Uses 2x BON8M45

NT20 MULTI-BOOT MODULE

SUITS: * MORRIS QUANTUM , CONTOUR 2 & 3 * MORRIS CONTOUR 1

* BOURGAULT PARALINK * HORSCH SPRINTER NT (HIGH MODEL)

*Modular system *Standard & Liquid Adjusta-Point options *Single-Row or Paired-Row
 * Single or Dual Shoot * Option for liquid in knife point slot and/or with seed

SEE PAGE 23
 FOR PART #'S
 AND PRICING

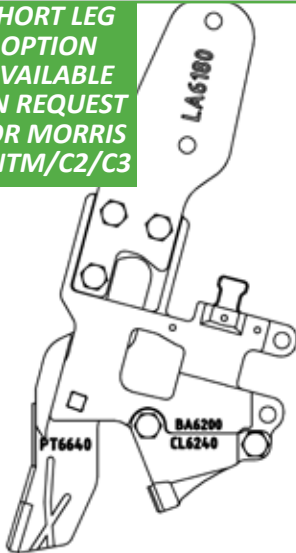
NT20 MULTIBOOT MODULE - SINGLE ROW

\$295 - \$360 +GST

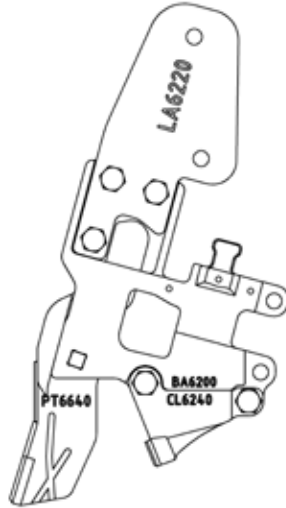
Included: All parts pictured, including fasteners.

Tapered Hose Pipe: 38mm ID at top down to 32mm ID at bottom

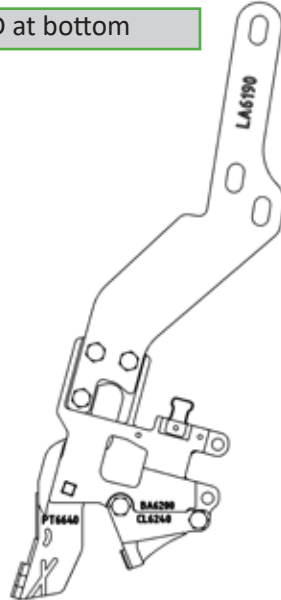
SHORT LEG
 OPTION
 AVAILABLE
 ON REQUEST
 FOR MORRIS
 QNTM/C2/C3



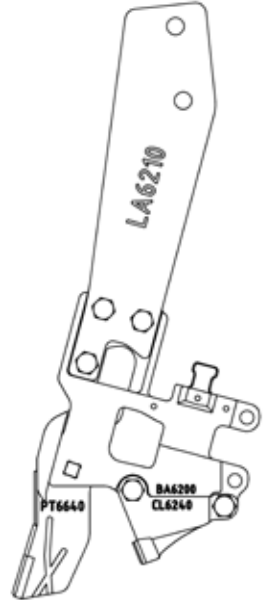
NT20M SINGLE-ROW
 suit MORRIS C2/C3/
 QUANTUM



NT20M SINGLE-ROW
 suit MORRIS C1
 QUANTUM



NT20B SINGLE-ROW
 suit BOURGAULT
 PARALINK



NT20H SINGLE-ROW
 suit HORSCH SPRINTER
 NT

NT20 ADJUSTA-POINT OPTIONS

"TRASH FRIENDLY" DESIGN AVAILABLE TO ORDER
 Ask the team for more information

PT6640



14mm Lo-Thro
 Standard

PT6650



14mm Lo-Thro
 Liquid

PT6660



12mm Straight
 Standard

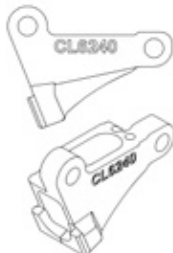
PT6670



12mm Straight
 Liquid

SINGLE-ROW CLOSING TOOL OPTION

CL6240



Single-Row
 45mm Closer

Dual Shoot Option

If you are looking for a single-row dual-shoot option, please contact Agmaster to discuss

12mm Straight Points

New for 2024 season. These are 10mm LONGER than the 14mm Lo-Thro style

NT20 MULTIBOOT MODULE - PAIRED-ROW

\$395 - \$520 +GST

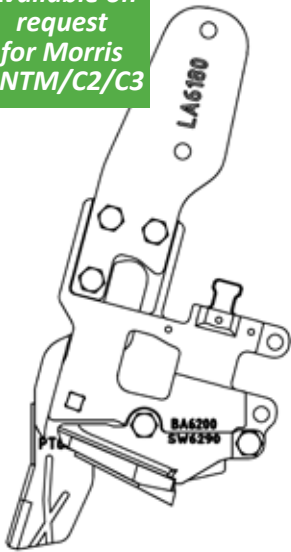
Included: All parts pictured, including & fasteners.

SHORT LEG OPTION
Available on request for Morris QNTM/C2/C3

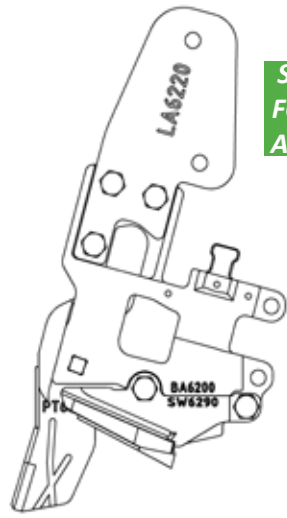
SINGLE SHOOT

Tapered Hose Pipe: 38mm ID at top down to 32mm ID at bottom

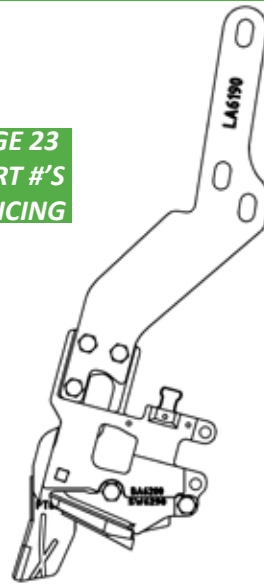
SEE PAGE 23 FOR PART #'S AND PRICING



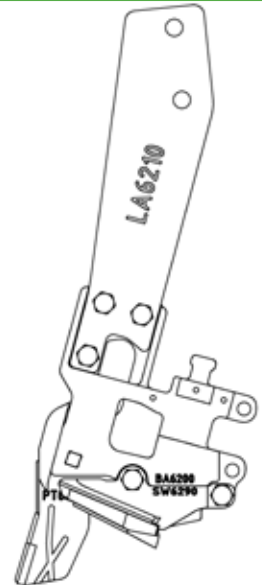
NT20M PAIRED-ROW SINGLE suit **MORRIS C2/C3/QUANTUM**



NT20M PAIRED-ROW SINGLE suit **MORRIS C1**



NT20B PAIRED-ROW SINGLE suit **BOURGAULT PARALINK**



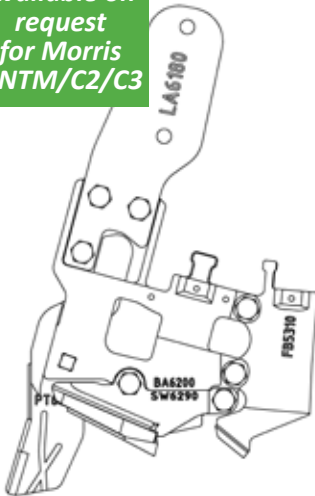
NT20H PAIRED-ROW SINGLE suit **HORSCH SPRINTER NT**

SHORT LEG OPTION
Available on request for Morris QNTM/C2/C3

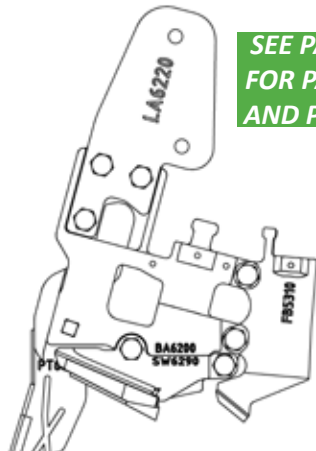
DUAL SHOOT

Tapered Hose Pipe: 38mm ID at top down to 32mm ID at bottom

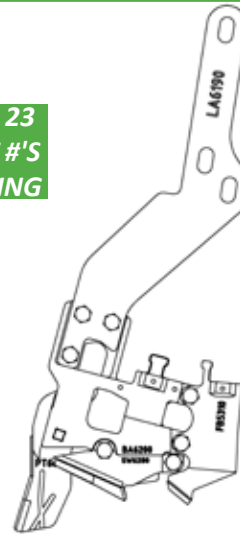
SEE PAGE 23 FOR PART #'S AND PRICING



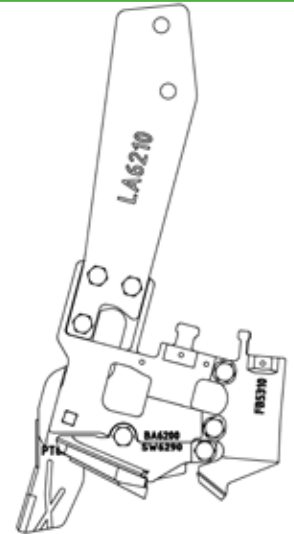
NT20M PAIRED-ROW DUAL suit **MORRIS C2/C3/QUANTUM**



NT20M PAIRED-ROW DUAL suit **MORRIS C1**



NT20B PAIRED-ROW DUAL suit **BOURGAULT PARALINK**



NT20H PAIRED-ROW DUAL suit **HORSCH SPRINTER NT**

PAIRED-ROW SEEKER WING OPTIONS

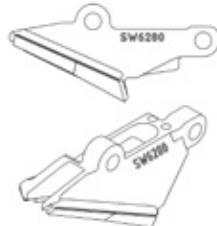
POINT OPTIONS PICTURED ON PAGE 21

SW6290



Paired-Row 95mm Seeker Wing ~75mm rows

SW6280



Paired-Row 85mm Seeker Wing ~65mm rows

SW6270



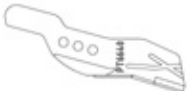


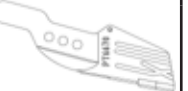
Paired-Row 75mm Seeker Wing ~55mm rows

NT20 MULTI-BOOT MODULE PRICES & PART NUMBERS MATRIX

| | | | | |
|---|--|--|--|---|
| INSTRUCTIONS: 1. Identify "Module Make" relevant to your machine 2. Select point from left column 3. Select boot/closer from top row 4. Find part number & price relevant to your machine where your point & boot choice intersect | MORRIS (MR2) Suits: Morris Seeding Modules for the Contour 2, Contour 3 & Quantum machines | MORRIS (MR1) Suits: Morris Seeding Modules for the Contour 1 | BOURGAULT (BG) Suits Bourgault Seeding Module for the Paralink machine | HORSCH (HO) Suits Horsch Sprinter NT high model Sprinter NT machine |
|---|--|--|--|---|

NOTE: Does not suit PLDS (Dual Shank)

FOR MODULE MAKES NOT LISTED UNDER EITHER OF THE CLASSIFICATIONS, PLEASE CONTACT AGMASTER AS OTHERS MAY BE AVAILABLE BY SPECIAL ORDER

| SINGLE ROW | | PAIRED ROW/SINGLE SHOOT | | PAIRED ROW/DUAL SHOOT | | | | |
|---|-------------------|-------------------------|-------------------|-----------------------|-------------------|--|--|--|
| BOOTS | MultiBoot Options | CL6240 45mm Closer | SW 6290 95mm Wing | SW 6280 85mm Wing | SW 6270 75mm Wing | SW 6290 95mm Wing & Dual Shoot Fert Boot | SW 6280 85mm Wing & Dual Shoot Fert Boot | SW 6270 75mm Wing & Dual Shoot Fert Boot |
| | | EXCL GST | EXCL GST | EXCL GST | EXCL GST | EXCL GST | EXCL GST | EXCL GST |
|  PT6640 14mm Lo-Thro Standard | MR2 | PMM64182024 | PMM64182029 | PMM64182028 | PMM64182027 | PMM6418202931 | PMM6418202831 | PMM6418202731 |
| | MR1 | PMM64222024 | PMM64222029 | PMM64222028 | PMM64222027 | PMM6422202931 | PMM6422202831 | PMM6422202731 |
| | BG | PMM64192024 | PMM64192029 | PMM64192028 | PMM64192027 | PMM6419202931 | PMM6419202831 | PMM6419202731 |
| | HO | PMM64212024 | PMM64212029 | PMM64212028 | PMM64212027 | PMM6421202931 | PMM6421202831 | PMM6421202731 |
|  PT6650 14mm Lo-Thro Liquid | MR2 | PMM65182024 | PMM65182029 | PMM65182028 | PMM65182027 | PMM6518202931 | PMM6518202831 | PMM6518202731 |
| | MR1 | PMM65222024 | PMM65222029 | PMM65222028 | PMM65222027 | PMM6522202931 | PMM6522202831 | PMM6522202731 |
| | BG | PMM65192024 | PMM65192029 | PMM65192028 | PMM65192027 | PMM6519202931 | PMM6519202831 | PMM6519202731 |
| | HO | PMM65212024 | PMM65212029 | PMM65212028 | PMM65212027 | PMM6521202931 | PMM6521202831 | PMM6521202731 |
|  PT6660 12mm Straight Standard | MR2 | PMM66182024 | PMM66182029 | PMM66182028 | PMM66182027 | PMM6618202931 | PMM6618202831 | PMM6618202731 |
| | MR1 | PMM66222024 | PMM66222029 | PMM66222028 | PMM66222027 | PMM6622202931 | PMM6622202831 | PMM6622202731 |
| | BG | PMM66192024 | PMM66192029 | PMM66192028 | PMM66192027 | PMM6619202931 | PMM6619202831 | PMM6619202731 |
| | HO | PMM66212024 | PMM66212029 | PMM66212028 | PMM66212027 | PMM6621202931 | PMM6621202831 | PMM6621202731 |
|  PT6670 12mm Straight Liquid | MR2 | PMM67182024 | PMM67182029 | PMM67182028 | PMM67182027 | PMM6718202931 | PMM6718202831 | PMM6718202731 |
| | MR1 | PMM67222024 | PMM67222029 | PMM67222028 | PMM67222027 | PMM6722202931 | PMM6722202831 | PMM6722202731 |
| | BG | PMM67192024 | PMM67192029 | PMM67192028 | PMM67192027 | PMM6719202931 | PMM6719202831 | PMM6719202731 |
| | HO | PMM67212024 | PMM67212029 | PMM67212028 | PMM67212027 | PMM6721202931 | PMM6721202831 | PMM6721202731 |


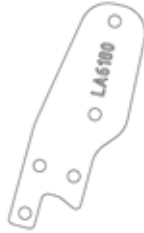





NT20 MULTI-BOOT MODULE PARTS

Spare parts for Multi-Boot Module Kits for Morris C2/C3/Quantum, Bourgault Paralink & Horsch Sprinter [P21-23](#)

Points & Closing Tools for Multi-Boot Module

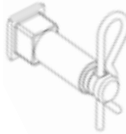

| PT6640 | PT6650 | PT6660 | PT6670 | SW6290 | SW6280 | SW6270 | CL6240 | | |
|---|---|---|---|---|--|---|---|------------|------------|
|  |  |  |  |  |  |  |  | | |
| 14mm Lo-Thro Standard | 14mm Lo-Thro Liquid | 12mm Straight Standard | 12mm Straight Liquid | Paired-Row 95mm Seeker Wing ~75mm rows | Paired-Row 85mm Seeker Wing ~65mm rows | Paired-Row 75mm Seeker Wing ~55mm rows | Single-Row 45mm Closer | | |
| | | | | | | | | Exc | Inc |
| PT6640 | * or ** | 14mm Adjusta-Point; Lo-Thro Standard | | | | | | \$ 85.00 | \$ 93.50 |
| PT6650 | * or ** | 14mm Adjusta-Point; Lo-Thro Liquid | | | | | | \$115.00 | \$126.50 |
| PT6660 | * or ** | 12mm Adjusta-Point; Straight Standard | | | | | | \$ 85.00 | \$ 93.50 |
| PT6670 | * or ** | 12mm Adjusta-Point; Straight Liquid | | | | | | \$115.00 | \$126.50 |
| SW6290 | *** | 95mm Seeker Wing for Module; paired rows 75mm apart | | | | | | \$160.00 | \$176.00 |
| SW6280 | *** | 85mm Seeker Wing for Module; paired rows 65mm apart | | | | | | \$150.00 | \$165.00 |
| SW6270 | *** | 75mm Seeker Wing for Module; paired rows 55mm apart | | | | | | \$150.00 | \$165.00 |
| CL6240 | *** | 45mm Closer for Module; single row | | | | | | \$ 50.00 | \$ 55.00 |

Other Parts for Multi-Boot Module

| BA62X0 | LA6180 | LA6220 | LA6190 | LA6210 | FB5310 | SL5520 | | |
|---|---|---|---|--|---|---|------------|------------|
|  |  |  |  |  |  |  | | |
| Boot Adaptor | Morris Quantum C2/C3 Leg Adaptor | Morris Contour 1 Leg Adaptor | Bourgault Leg Adaptor | Horsch Leg Adaptor | Dual-Shoot Dry Fertiliser Boot | Stainless Liquid Tube | | |
| | SHORT OPTION AVAILABLE ON REQUEST | | | | | | | |
| | | | | | | | Exc | Inc |
| BA6200 | | Boot Adaptor 2021; mount for above closing tools and fertiliser boot | | | | | \$ 95.00 | \$104.50 |
| BA6260 | | Boot Adaptor 2020; mount for above closing tools and fertiliser boot | | | | | \$ 95.00 | \$104.50 |
| LA6180 | *** + **** | Leg Adaptor <u>Morris</u> ; secures seeding system to machine | | | | | \$ 65.00 | \$ 71.50 |
| LA6220 | *** + **** | Leg Adaptor <u>Morris C1</u> ; secures seeding system to machine | | | | | \$ 65.00 | \$ 71.50 |
| LA6190 | ***** + ***** | Leg Adaptor <u>Bourgault Paralink</u> ; secures seeding system to machine | | | | | \$ 95.00 | \$104.50 |
| LA6210 | *** + **** | Leg Adaptor <u>Horsch Sprinter</u> ; secures seeding system to machine | | | | | \$ 95.00 | \$104.50 |
| FB5310 | *** | Optional Dry Fertiliser Boot; drops fertiliser in between paired rows when used with Seeker Wings | | | | | \$ 50.00 | \$ 55.00 |
| LF5520 | ***** | Liquid Fertiliser Tube; stainless steel tube for directing liquid fertiliser to back of point or for liquid with seed. <i>If using with point, 1 required per boot/closer. If for with seed then 1 required per seed row.</i> | | | | | \$ 5.00ea | \$ 5.50ea |

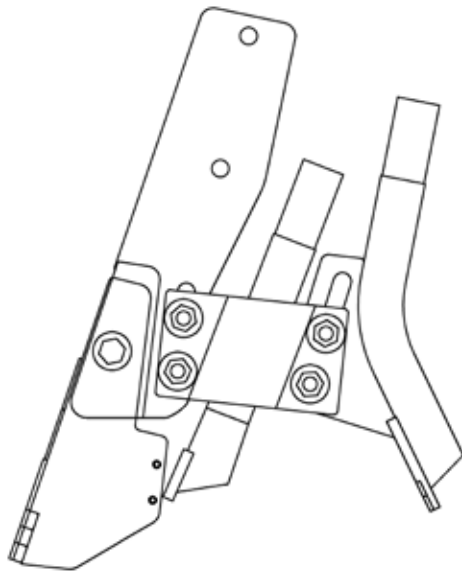
FOR FASTENERS, PLEASE REFER TO NEXT PAGE

NT20 Multi-Boot Module Fastener Guide

| | | | Exc | Inc |
|--|-------|--------------|---|---------------------|
|  | * | 1 x PIR41 | M12 x 41mm Square Pin & R-Clip w BA6200 (2021-current) | \$ 2.20ea \$ 2.42ea |
| | * | 1 x PIS41 | M12 x 41mm Square Pin & Split Pin w BA6200 (2021-current) | \$ 2.00ea \$ 2.20ea |
| | ** | 1 x PIR45 | M12 x 45mm Cuphead Pin & R-Clip w BA6260 (2020) | \$ 2.20ea \$ 2.42ea |
| | ** | 1 x PIS45 | M12 x 45mm Cuphead Pin & Split Pin w BA6260 (2020) | \$ 2.00ea \$ 2.20ea |
|  | *** | 2 x BNW122 | ½" x 2" Bolt, Nut & Washer | \$ 3.00ea \$ 3.30ea |
| | **** | 3 x BNW12134 | ½" x 1 ¾" Bolt, Nut & Washer | \$ 3.00ea \$ 3.30ea |
| | ***** | 3 x BNW122 | ½" x 2" Bolt, Nut & Washer | \$ 3.00ea \$ 3.30ea |
| | ***** | 2 x BNW16M55 | M16 x 55 Bolt, Nut & Washer & 1x original BG u-bolt | \$ 4.00ea \$ 4.40ea |
| | ***** | 1 x BO6M16S | M6 x 16 Bolt (1 required per tube behind point) | \$ 0.50ea \$ 0.55ea |
| | ***** | 1 x BO6M10S | M6 x 16 Bolt (1 required per tube with seed) | \$ 0.50ea \$ 0.55ea |

NT21M DUAL IN-LINE FOR MORRIS QUANTUM & CONTOUR 2/3

This dual-shoot in-line system is currently compatible only with the Morris Quantum & Contour 2/3. It was developed to fulfill customer requirements that our Multi-Boot Module system was unable to meet. Kits available upon request.



| | | Exc | Inc |
|--|---------------------------|----------|----------|
| PMI063554 | Standard Dual In-Line Kit | \$395.00 | \$434.50 |
| Dual In-Line Seeding Kit for Morris; 12mm Standard Adjustable Point, 40mm Closer | | | |

| | | Exc | Inc |
|--|-------------------------|----------|----------|
| PMI073554 | Liquid Dual In-Line Kit | \$425.00 | \$467.50 |
| Dual In-Line Seeding Kit for Morris; 12mm Liquid Adjustable Point, 40mm Closer. Pictured. | | | |

Dual In-Line Parts

PT5060



PT5070



SL5350



FB5350



BT5540



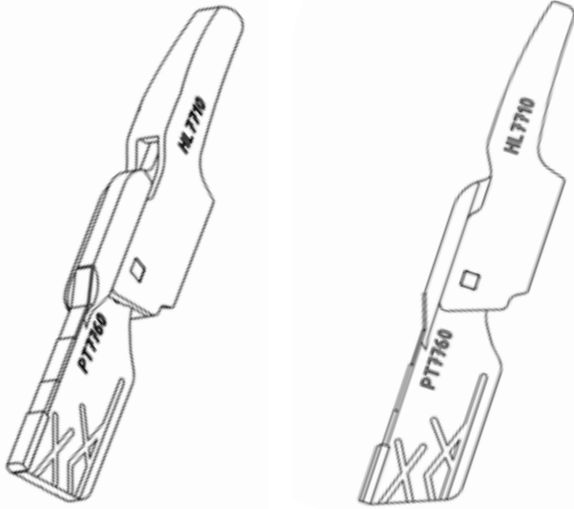
| | | | Exc | Inc |
|---------------|-----|---|----------|----------|
| PT5060 | * | Standard Point; 12mm height-adjustable standard point | \$ 80.00 | \$ 88.00 |
| PT5070 | * | Liquid Point; 12mm height-adjustable liquid point | \$110.00 | \$121.00 |
| SL5350 | ** | Leg; holds point and attaches seeding kit to machine | \$125.00 | \$137.50 |
| FB5350 | *** | Dry Fertiliser Boot; dual-shoot behind point | \$110.00 | \$121.00 |
| BT5540 | *** | Seeding Boot; 40mm closer plate | \$ 75.00 | \$ 82.50 |

| | | | | |
|-----|-----------------------|------------------------------|-----------|-----------|
| * | Requires 1 x BNW12112 | ½" x 1 ½" Bolt, Nut & Washer | \$ 3.00ea | \$ 3.30ea |
| ** | Requires 2 x BNW122 | ½" x 2" Bolt, Nut & Washer | \$ 3.00ea | \$ 3.30ea |
| *** | Requires 2 x BNW12112 | ½" x 1 ½" Bolt, Nut & Washer | \$ 3.00ea | \$ 3.30ea |

NT21D ADJUSTA-POINT FOR DBS

SUITS: DBS/GROUNDHOG SHANKS

- * Front-of-tyne assembly *14mm Adjusta-Point *Five depth settings 120 - 200mm
- *Unique holder design with built-in trashguard *Easy access 12mm pin & R-clip



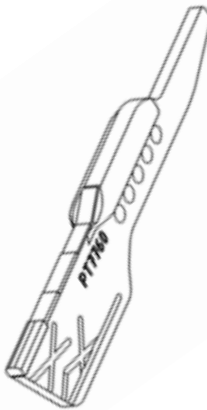
| | Exc | Inc |
|---|-----------------|-----------------|
| PTH7671 | \$135.00 | \$148.50 |
| NT21D Adjusta-Point & Holder Kit to suit DBS | | |
| INCLUDED: Point, Holder & Retaining Pin as pictured | | |

NT21D Parts

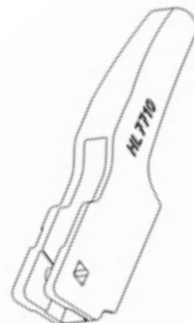
PT7760

HL7710

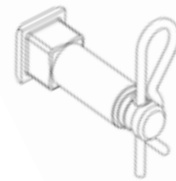
PIR41



*NT21D Adjusta-Point
to suit DBS*



*NT21D Point Holder
to suit DBS*



*12mm Square Head
Pin & R-Clip*

| | Exc | Inc |
|--|-----------------|-----------------|
| PT7760 NT21D 14mm Adjusta-Point to suit DBS | \$105.00 | \$115.50 |
| HL7710 NT21D Point Holder to suit DBS | \$ 30.00 | \$ 33.00 |
| PIR45 Pin M12 x 45mm Square Head & R-Clip for Adjusta-Point 2021 on | \$ 2.20 | \$ 2.42 |
| PI12A41 Pin M12 x 45mm Square Head for Adjusta-Point 2021 on | \$ 1.90 | \$ 2.09 |
| PI432R R-Clip 43 x 2.5mm | \$ 0.40 | \$ 0.44 |

NT21B BOURGAULT PLDS REPLACEMENT POINTS

We now have the following non-genuine replacement parts available to suit the Bourgault PLDS.

Pre-order recommended



PT6710



PT6720

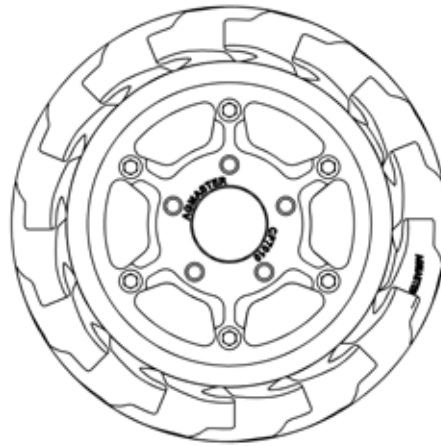
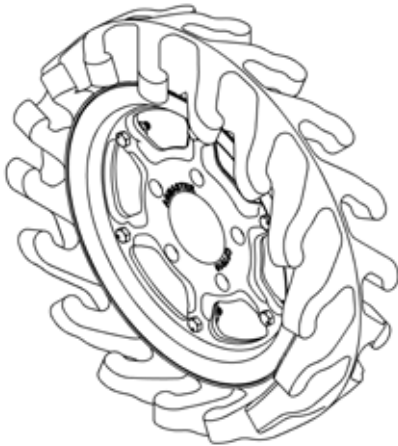
| | Exc | Inc |
|---|-----------------|-----------------|
| PT6710 Fertiliser Knife to suit PLDS | \$140.00 | \$154.00 |
| PT6720 Seed Knife to suit PLDS | \$ 95.00 | \$104.50 |

EMU TRACKER WHEELS

SUITS: BOURGAULT PARALINK, MORRIS QUANTUM, MORRIS CONTOUR 1/2/3 & HORSCH SPRINTER

Other makes may be adaptable.

These wheels have a unique design which addresses the issue of presswheel furrow smearing on some parallelogram seeding modules (as listed above) The Emu Tracker wheel replaces the existing presswheel on these modules. The flexible feet flick some of the loose soil back into the seeding row while giving some pressing effect. They are most effective in moist clay soil conditions.

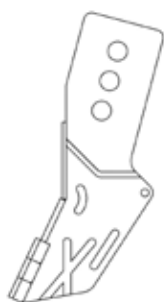


| | Exc | Inc |
|---|-----------------|-----------------|
| CF7560 Emu Tracker complete wheel assembly for Morris Quantum, C2 & Paralink | \$280.00 | \$308.00 |
| CF7360 Emu Tracker complete wheel assembly for Horsch Sprinter | \$280.00 | \$308.00 |
| CF7160 Emu Tracker replacement tyre only | \$140.00 | \$154.00 |

EARLY MODEL MORRIS C2 & BOURGAULT PARALINK PARTS



PT6040



PT6050



FB6410



SL5340



PT5040



PT5050

KWIK FIT MODULE 2017-2018 PARTS (Morris C2 & Bourgault Paralink)

| | Exc | Inc |
|---|-----------------|-----------------|
| PT6040 * Standard Point; 14mm, Lo-Thro, height adjustable | \$ 80.00 | \$ 88.00 |
| PT6050 * Liquid Point; 14mm, Lo-Thro, height adjustable | \$110.00 | \$121.00 |
| FB6410 ** Optional Dry Fertiliser Boot; drops fertiliser in between paired rows when used with SW6720 and SW6820 | \$ 50.00 | \$ 55.00 |

MORRIS CONTOUR 2 2015-2016 PARTS

| | | |
|--|-----------------|-----------------|
| SL5340 *** MC2 Seeker leg to hold point & seeker boot | \$125.00 | \$137.50 |
| PT5040 **** 12mm Standard point to suit MC2 SL5340 | \$ 80.00 | \$ 88.00 |
| PT5050 **** 12mm Liquid point to suit MC2 SL5340 | \$110.00 | \$121.00 |

| | | | | |
|------|----------------------|-------------------------------|-----------|-----------|
| * | Requires 1x BNW7162 | 7/16" x 2" Bolt, Nut & Washer | \$ 3.00ea | \$ 3.30ea |
| ** | Requires 1x BNW12M55 | M12 x 55 Bolt, Nut & Washer | \$ 2.00ea | \$ 2.20ea |
| *** | Requires 2x BNW122 | ½" x 2" Bolt, Nut & Washer | \$ 3.00ea | \$ 3.30ea |
| **** | Requires 1x BNW12134 | ½" x 1 ¾" Bolt, Nut & Washer | \$ 3.00ea | \$ 3.30ea |

FOR CURRENT MORRIS QUANTUM & CONTOUR 1/2/3 KITS, PLEASE REFER TO PAGES 21-23

Use one of our online building tools for Seeding Kits and Presswheels to help you with specific part numbers, calculations and prices.

NT11 POINT & RIGID BOOT SEEDING KITS

SUITS: DOUBLE-BOLT C-SHANK AND EDGE-ON TYNES (EXAMPLES LISTED ON PAGE 30)

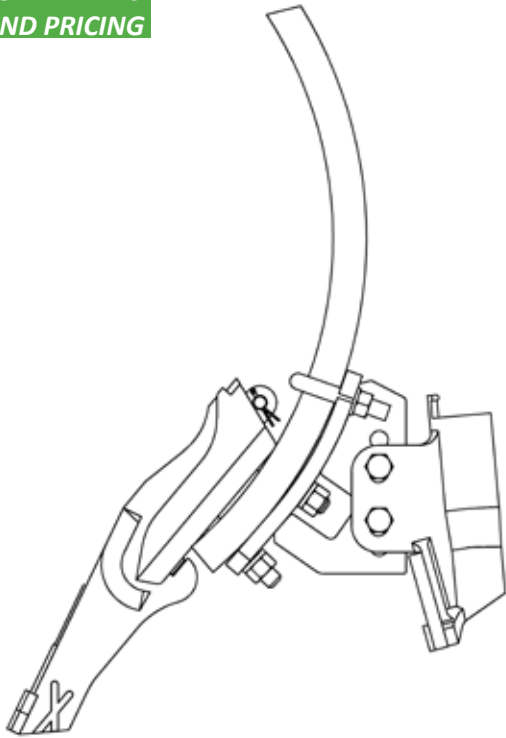
- *Seven NT11 Point styles with a mixture of Straight or Lo-Thro profiles and Standard or Liquid options
- * Three height-adjustable seeding boot styles with Single or Dual Shoot options
- * Provision for liquid in knife point slot and/or with seed (select boots only) * Accessories such as Trashguards & Liquid Kits available (P38/39)

NT11 RIGID BOOT

Included: All parts pictured including fasteners.

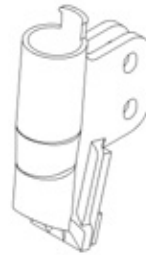
\$210 - \$370 +GST

**SEE PAGE 30
FOR PART #'S
AND PRICING**



BOOT OPTIONS

BT2540/BT2550



Standard Single Shoot Boot
40mm or 50mm Closer

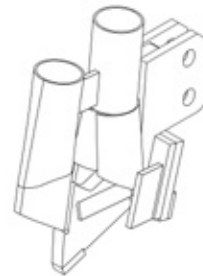
Wetter with Seed Option:
Provision for liquid/wetter with the seed now comes standard on Single-Shoot Boots BT2540 & BT2550.

BT2370



"Y" Tube Single Shoot Boot
65mm Closer

BT2390



Dual Shoot Boot
65mm Closer

Hose Pipe: All boots are 38mm ID at top. Cast boots (BT2540/BT2550) taper down to 32mm ID to suit narrower hose sizes

POINT OPTIONS FOR NT11 RIGID BOOT KITS

- *Three widths; 12mm & 16mm Straight or 14mm Lo-Thro profiles *16mm Winged option
- *Liquid or Standard available in all widths of the Straight & Lo-Thro profiles
- * **Soft Point Option:** A softer tip on the points for extremely rocky conditions is available for kits with PT1120 and PT1160 points. These are identified by the point being painted. There is no price difference for "Red" points.

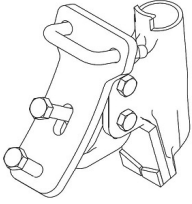
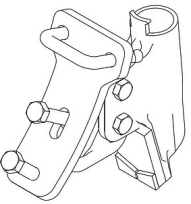
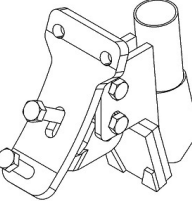
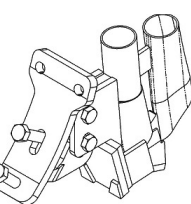
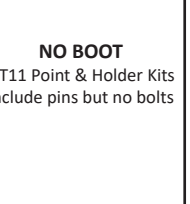

| PT1120 | *PT1150 | PT1140 | *PT1170 | PT1160 | *PT1190 | PT1130 |
|------------------------------|----------------------------|-----------------------------|---------------------------|------------------------------|----------------------------|----------------------------|
| | | | | | | |
| 12mm Straight Standard | 12mm Straight Liquid | 14mm Lo-Thro Standard | 14mm Lo-Thro Liquid | 16mm Straight Standard | 16mm Straight Liquid | 16mm Winged Standard |

***PLEASE NOTE:** Kits with Liquid Points do not include parts for directing liquid to back of point.

See page 39 for liquid kits.

Use one of our online building tools for Seeding Kits and Presswheels to help you with specific part numbers, calculations and prices.

NT11 RIGID SEEDING KITS PRICE & PART NUMBERS MATRIX

| INSTRUCTIONS: | | | | | | | | | | | | |
|--|---|--------------------|--|-------------------------------|-----------------------------------|---|-----------------|---|-------|---------|-------|-------|
| 1. Identify "Tyne Class" relevant to your machine/tyne 2. Select Point from left column | | | 3. Select boot/closer from top row 4. Find part number & price relevant to your tyne class where your point & boot choice intersect | | | | | | | | | |
| C-SHANK TYNE CLASS 1: | Standard C-Shank tynes with 1/2" bolt holes & 1 3/4" spacings <i>Examples:</i> Morris 400lb, Flexicoil 350lb (holes reamed to 1/2"), Bourgault, Ezee-On, Horwood Bagshaw C-Shank, Shearer | | | | | | | | | | | |
| C-SHANK TYNE CLASS 2: | Standard C-Shank tynes with 7/16" bolt holes & 1 3/4" spacings <i>Example:</i> Flexicoil 350lb (original un-reamed tyne bolt holes) | | | | | | | | | | | |
| C-SHANK TYNE CLASS 3: | Standard C-Shank tynes with 1/2" bolt holes & 2 1/4" spacings <i>Examples:</i> Morris 650lb/Hydraulic, John Deere 1810-1830, Flexicoil 550lb/650lb/Hydraulic | | | | | | | | | | | |
| EDGE-ON TYNE CLASS 4: | Edge-On tynes (wide foot with narrow shank) with 1/2" bolt holes IMPORTANT: These tynes have a specific bracket each, so the tyne ref. in the part number will need to be replaced with the machine/tyne code from below in place of the OX e.g. PHB120X54 for Horwood Bagshaw Scaribar is PHB120954 | | | | | | | | | | | |
| TYNE REF CODES: | | AFM 340 | Forwood Delta | Flexicoil Edge-On | Gason 5100 | Gason Scari | Horwood Bagshaw | Simplicity/Gason HT | | | | |
| | | 04 | 05 | 06 | 07 | 08 | 09 | 11 | | | | |
| BOOTS Rigid Boot Options POINTS NT11 Knife Points | | RIGID BOOT OPTIONS | | | | POINT & HOLDER | | | | | | |
| | | BT2540 40mm Closer | BT2550 50mm Closer | BT2370 65mm Closer "Y" Single | BT2390 65mm Closer "Y" Dual Shoot | NO BOOT NT11 Point & Holder Kits include pins but no bolts | | | | | | |
|  | C-SHANK #1 | PHB120154 | PHB120155 | PHB120137 | PHB120139 | | | PTH1210 | | | | |
| | C-SHANK #2 | PHB120254 | PHB120255 | PHB120237 | PHB120239 | \$210 | \$210 | \$275 | \$320 | PTH1211 | \$90 | |
| | C-SHANK #3 | PHB120354 | PHB120355 | PHB120337 | PHB120339 | +GST | | +GST | +GST | PTH1210 | +GST | |
| | EDGE-ON #4 | PHB120X54 | PHB120X55 | PHB120X37 | PHB120X39 | | | CHECK W AGM | | | | |
|  | C-SHANK #1 | PHB150154 | PHB150155 | PHB150137 | PHB150139 | | | PTH1510 | | | | |
| | C-SHANK #2 | PHB150254 | PHB150255 | PHB150237 | PHB150239 | \$240 | \$240 | \$305 | \$350 | PTH1511 | \$120 | |
| | C-SHANK #3 | PHB150354 | PHB150355 | PHB150337 | PHB150339 | +GST | | +GST | +GST | PTH1510 | +GST | |
| | EDGE-ON #4 | PHB150X54 | PHB150X55 | PHB150X37 | PHB150X39 | | | CHECK W AGM | | | | |
|  | C-SHANK #1 | PHB140154 | PHB140155 | PHB140137 | PHB140139 | | | PTH1410 | | | | |
| | C-SHANK #2 | PHB140254 | PHB140255 | PHB140237 | PHB140239 | \$220 | \$220 | \$285 | \$330 | PTH1411 | \$100 | |
| | C-SHANK #3 | PHB140354 | PHB140355 | PHB140337 | PHB140339 | +GST | | +GST | +GST | PTH1410 | +GST | |
| | EDGE-ON #4 | PHB140X54 | PHB140X55 | PHB140X37 | PHB140X39 | | | CHECK W AGM | | | | |
|  | C-SHANK #1 | PHB170154 | PHB170155 | PHB170137 | PHB170139 | | | PTH1710 | | | | |
| | C-SHANK #2 | PHB170254 | PHB170255 | PHB170237 | PHB170239 | \$250 | \$250 | \$315 | \$360 | PTH1711 | \$130 | |
| | C-SHANK #3 | PHB170354 | PHB170355 | PHB170337 | PHB170339 | +GST | | +GST | +GST | PTH1710 | +GST | |
| | EDGE-ON #4 | PHB170X54 | PHB170X55 | PHB170X37 | PHB170X39 | | | CHECK W AGM | | | | |
|  | C-SHANK #1 | PHB160154 | PHB160155 | PHB160137 | PHB160139 | | | PTH1610 | | | | |
| | C-SHANK #2 | PHB160254 | PHB160255 | PHB160237 | PHB160239 | \$220 | \$220 | \$285 | \$330 | PTH1611 | \$100 | |
| | C-SHANK #3 | PHB160354 | PHB160355 | PHB160337 | PHB160339 | +GST | | +GST | +GST | PTH1610 | +GST | |
| | EDGE-ON #4 | PHB160X54 | PHB160X55 | PHB160X37 | PHB160X39 | | | CHECK W AGM | | | | |
|  | C-SHANK #1 | PHB190154 | PHB190155 | PHB190137 | PHB190139 | | | PTH1910 | | | | |
| | C-SHANK #2 | PHB190254 | PHB190255 | PHB190237 | PHB190239 | \$250 | \$250 | \$315 | \$360 | PTH1911 | \$130 | |
| | C-SHANK #3 | PHB190354 | PHB190355 | PHB190337 | PHB190339 | +GST | | +GST | +GST | PTH1910 | +GST | |
| | EDGE-ON #4 | PHB190X54 | PHB190X55 | PHB190X37 | PHB190X39 | | | CHECK W AGM | | | | |
| | C-SHANK #1 | PHB130154 | PHB130155 | PHB130137 | PHB130139 | | | PTH1310 | | | | |
| | C-SHANK #2 | PHB130254 | PHB130255 | PHB130237 | PHB130239 | \$260 | \$260 | \$325 | \$370 | PTH1311 | \$140 | |
| | C-SHANK #3 | PHB130354 | PHB130355 | PHB130337 | PHB130339 | +GST | | +GST | +GST | PTH1310 | +GST | |
| | EDGE-ON #4 | PHB130X54 | PHB130X55 | PHB130X37 | PHB130X39 | | | CHECK W AGM | | | | |
| NO POINT NT11 Boot & Bracket kits are designed to fit with NT11 Point & Holders but are adaptable to NT19 Adjusta-Points | C-SHANK #1 | BRB0154 | BRB0155 | BRB0137 | BRB0139 | | | *TO ADD "RED" SOFT POINT OPTION AS EXPLAINED ON P26 FOR PT1120 OR PT1160, ADD THE LETTER "R" TO END OF KIT PART # | | | | |
| | C-SHANK #2 | BRB0254 | BRB0255 | BRB0237 | BRB0239 | \$120 | \$120 | | | | \$185 | \$230 |
| | C-SHANK #3 | BRB0354 | BRB0355 | BRB0337 | BRB0339 | +GST | | | | | +GST | +GST |
| | EDGE-ON #4 | BRB0X54 | BRB0X55 | BRB0X37 | BRB0X39 | | | | | | | |

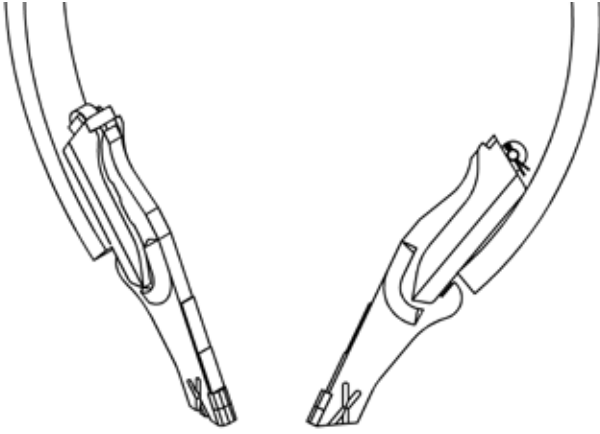
NT11 FRONT OR BACK OF TYNE RIGID BOOT KITS

NT11 POINT & HOLDER KITS (NO BOOT)

Included: Point, Holder & Pin only. No bolts/u-bolts.

\$90 - \$140 +GST

SEE PAGES 29-30
FOR POINT OPTIONS,
PART #'S & PRICING



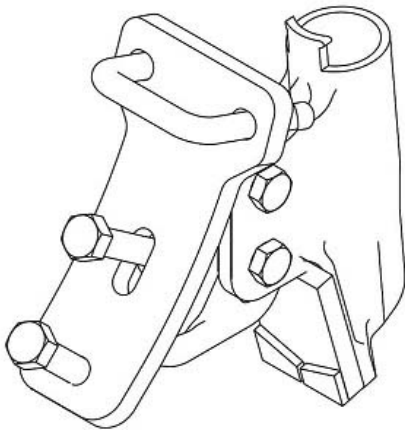
Tyne bolts to be ordered separately if required, as these vary depending on seeding boot type and machine/tyne specifications. Contact Agmaster if you require assistance.

NT11 BOOT & BRACKET KITS (NO POINT)

Included: All parts pictured including fasteners.

\$120 - \$230 +GST

SEE PAGES 29-30
FOR BOOT OPTIONS,
PART #'S & PRICING



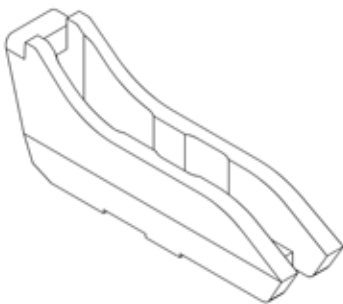
These assemblies suit the NT11 Points and Holders but can be adapted to suit NT19 Adjusta-Points & Holders if required. The range of NT11 Boots (pictured page 27 or 31) are available as a Boot & Bracket kit.

Hose Pipe: All boots are 38mm ID at top. Cast boots (BT2540/BT2550) taper down to 32mm ID to suit narrower hose sizes

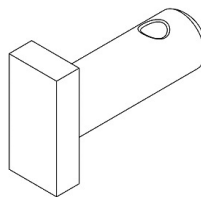
FOR REPLACEMENT PARTS FOR THESE
KITS PLEASE REFER TO PAGE 33

NT11 REPLACEMENT PARTS

NT11 Point Holders & Retaining Pins



Fits NT11 Points (P32), NT11 Sweep Adaptors (P38) and NT09 Points (pg 40)



Holder for Points PT1120 – PT1190 and PT1962 – PT1964 as well as Sweep Adaptors

| | | Exc | Inc |
|----------------|---|---------|---------|
| HL1100 | Point Holder ½" x 1¾" & 2¼" bolt centres For tynes with either 1¾" (44.5mm) or 2¼" (57mm) bolt centres and ½" holes e.g. Flexicoil 350lb reamed out to ½" holes, Morris 400lb, Bourgault, Ezee-on, Flexicoil 550lb, John Deere 1610/1830, Horwood Bagshaw, Gason Scari and similar | \$20.00 | \$22.00 |
| HL1110 | Point Holder 7/16" x 1¾" bolt centres (12mm x 44.5mm) For Flexicoil 350lb, Gason 5100 2 bolt tyne and similar | \$20.00 | \$22.00 |
| HLT1100 | Includes HL1100 and Retainer Pin (TSP) | \$21.00 | \$23.10 |
| HLT1110 | Includes HL1110 and Retainer Pin (TSP) | \$21.00 | \$23.10 |
| TSP | Pin 'T' Diameter 10mm + Pin Split 4 x 25mm | \$1.50 | \$1.65 |
| TP1180 | Pin 'T' Diameter 10mm | \$1.40 | \$1.54 |
| PI425S | Pin Split 4 x 25mm | \$0.20 | \$0.22 |

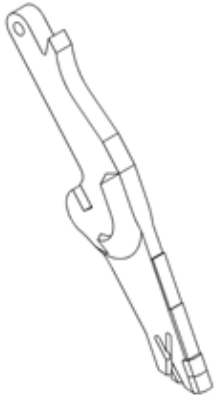
Use one of our online building tools for Seeding Kits and Presswheels to help you with specific part numbers, calculations and prices.

NT11 REPLACEMENT PARTS

Points – Cast Mild Steel

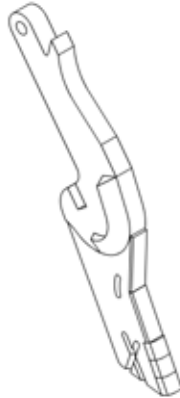
Standard Points (Non-Liquid)

PT1120



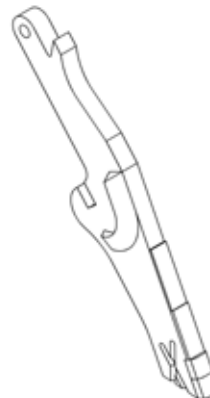
NT11 Point
12mm
Standard
(12)

PT1140



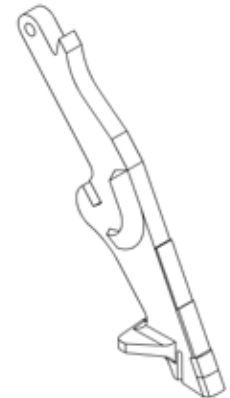
NT11 Point
14mm
Lo-Thro
(14)

PT1160



NT11 Point
16mm
Standard
(16)

PT1130

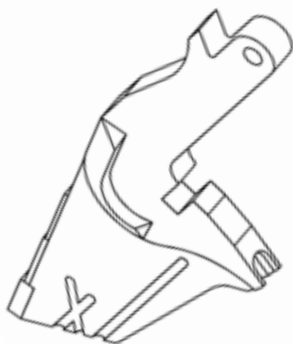


NT11 Point
16mm
Winged
(13)

| | | Exc | Inc |
|----------------|---------------------------------------|----------|----------|
| PT1120 | 12mm Knife | \$ 70.00 | \$ 77.00 |
| PT1120R | 12mm Knife – Red for rocky conditions | \$ 70.00 | \$ 77.00 |
| PT1140 | 14mm Lo Thro knife | \$ 80.00 | \$ 88.00 |
| PT1160 | 16mm Knife | \$ 80.00 | \$ 88.00 |
| PT1160R | 16mm Knife – Red for rocky conditions | \$ 80.00 | \$ 88.00 |
| PT1130 | 16mm Winged | \$120.00 | \$132.00 |

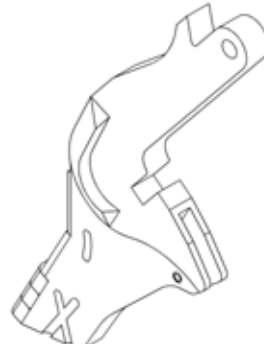
Liquid Fertiliser Points

PT1150



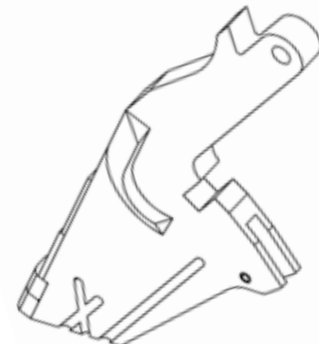
NT11 Point
12mm
Liquid
(15)

PT1170



NT11 Point
14mm
Lo-Thro Liquid
(17)

PT1190



NT11 Point
16mm
Liquid
(19)

| | | Exc | Inc |
|---------------|--------------------------------------|----------|----------|
| PT1150 | 12mm Liquid Fertiliser Point | \$100.00 | \$110.00 |
| PT1170 | 14mm Lo Thro Liquid Fertiliser Point | \$110.00 | \$121.00 |
| PT1190 | 16mm Liquid Fertiliser Point | \$110.00 | \$121.00 |

FOR REPLACEMENT POINT HOLDER FOR THESE POINTS PLEASE REFER TO PAGE 31

NT11 BRACKETS



BR2010
BR2030



BR2040



BR2050



BR2060



BR2070



BR2080



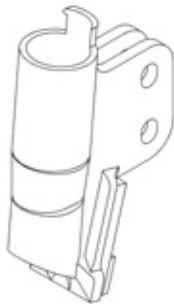
BR2090

| | | | | Exc | Inc |
|--|------|---------|-----------------------------------|----------|----------|
| BR2010 | *** | Bracket | ½" x 1 ¾" bolt hole spacings | \$ 55.00 | \$ 60.50 |
| <i>Flat C-Shank tynes with ½" x 1 ¾" e.g. Morris 400lb, Flexicoil 350lb, Bourgualt, Ezee-On, Horwood Bagshaw C-Shank</i> | | | | | |
| BR2030 | *** | Bracket | ½" x 2 ¼" bolt hole spacings | \$ 55.00 | \$ 60.50 |
| <i>Flat C-Shank tynes with ½" x 2 ¼" e.g. Morris 650lb, Flexicoil 550/650lb, John Deere 1810-1830</i> | | | | | |
| BR2040 | **** | Bracket | AFM 340 Edge-on | \$ 55.00 | \$ 60.50 |
| BR2050 | **** | Bracket | Forwood Delta Edge-on | \$ 55.00 | \$ 60.50 |
| BR2060 | **** | Bracket | Flexicoil Edge-on | \$ 55.00 | \$ 60.50 |
| BR2070 | **** | Bracket | Gason 5100 Edge-on | \$ 55.00 | \$ 60.50 |
| BR2080 | **** | Bracket | Gason Scari Edge-on | \$ 55.00 | \$ 60.50 |
| BR2090 | **** | Bracket | Horwood Bagshaw Edge-On Scari Bar | \$ 55.00 | \$ 60.50 |
| BR2110 | **** | Bracket | Simplicity/Gason Hyd Edge-on | \$ 55.00 | \$ 60.50 |

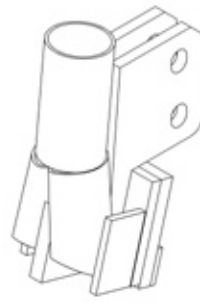
*** Uses UBN2001 - U-Bolt M12, 65 x 52, with Nuts & Washers

**** Uses UBN2002 - U-Bolt M12, 90 x 30, with Nuts & Washers

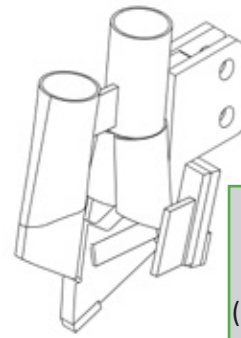
NT11 REPLACEMENT BOOTS



BT2540/BT2550



BT2370



BT2390

Hose Pipe:
All boots are 38mm ID at top. Cast boots (BT2540/BT2550) taper down to 32mm ID to suit narrower hose sizes

Wetter with Seed Option: Provision for liquid/wetter with the seed now comes standard on Single-Shoot Boots BT2540 & BT2550.

| | | | | Exc | Inc |
|---------------|--|--|---------|----------|----------|
| BT2540 | | 40mm Closer Single System recommended for use with 12mm Point | | \$ 60.00 | \$ 66.00 |
| BT2550 | | 50mm Closer Single System recommended for use with 16mm Point | | \$ 60.00 | \$ 66.00 |
| BT2370 | | 65mm Closer with 'Y' Tube | | \$125.00 | \$137.50 |
| BT2380 | | 65mm Closer with Side-by-Side Tubes | | \$125.00 | \$137.50 |
| BT2390 | | 65mm Closer Split System with 'Y' seed spreader at front and fertiliser tube following | | \$170.00 | \$187.00 |
| BT2399 | | Split Fert Knife Weld-on | | \$ 23.00 | \$ 25.30 |
| BT2398 | | Split Boot Side Pipe Protectors hardfaced. | per set | \$ 10.00 | \$ 11.00 |
| BNW122 | | ½" x 2" Bolt, Nut & Washer for securing boot to bracket (2 required per boot) | | \$ 3.00 | \$ 3.30 |

FOR REPLACEMENT CLOSER PLATES FOR THESE BOOTS PLEASE REFER TO PAGE 41

NT11 POINT & FLEXIBOOT SEEDING KITS

SUITS: DOUBLE-BOLT C-SHANK TYNES WITH (EXAMPLES LISTED ON PAGE 36)

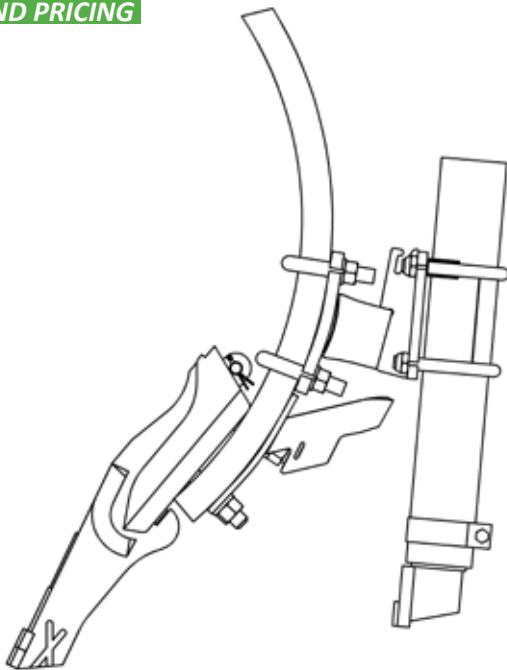
- *Seven NT11 Point styles with a mixture of Straight or Lo-Thro profiles and Standard or Liquid options
- * Height-adjustable flexible boot made from hydraulic hose and inner spring
- *40mm or 50mm closer plate options (40mm is the standard recommendation)
- * Option for liquid in knife point slot (using modified liquid kit [P39](#))
- * Accessories such as Sweep Adaptors & Trashguards available ([P38](#))
- *Single or Dual Shoot

NT11 FLEXIBOOT

Included: All parts pictured, including fasteners.

\$290 - \$340 +GST

SEE PAGE 36
FOR PART #'S
AND PRICING



BOOT OPTIONS

FB2840



Flexiboot with 40mm Closer
Recommended width

FB2850



Flexiboot with 50mm Closer

Hose Pipe
38mm ID

POINT OPTIONS FOR NT11 FLEXI-BOOT KITS

- *Three widths; 12mm & 16mm Straight or 14mm Lo-Thro profiles
- *Liquid or Standard available in all widths of the Straight & Lo-Thro profiles
- * **Soft Point Option:** A softer tip on the points for extremely rocky conditions is available for kits with PT1120 and PT1160 points. These are identified by the point being painted. There is no price difference for "Red" points.
- *16mm Winged option

| PT1120 | *PT1150 | PT1140 | *PT1170 | PT1160 | *PT1190 | PT1130 |
|------------------------------|----------------------------|-----------------------------|---------------------------|------------------------------|----------------------------|----------------------------|
| | | | | | | |
| 12mm Straight Standard | 12mm Straight Liquid | 14mm Lo-Thro Standard | 14mm Lo-Thro Liquid | 16mm Straight Standard | 16mm Straight Liquid | 16mm Winged Standard |

*** PLEASE NOTE:** Liquid point kits do not include parts for directing liquid to back of point. Our liquid kits have been designed for use with NT19/NT11 Rigid Boots but some users have modified them to suit Flexiboots in the past. [See page 39 for liquid kits and contact Agmaster for more information if required.](#)

NT11 FRONT OR BACK OF TYNE FLEXIBOOT KITS

SUITS: DOUBLE-BOLT C-SHANK AND EDGE-ON TYNES (EXAMPLES LISTED PAGE 36)

- * Back-of-tyne assembly *40mm or 50mm closer plate options (40mm is the standard recommendation)
- * Height-adjustable flexible boot made from hydraulic hose and inner spring *Single or Dual Shoot

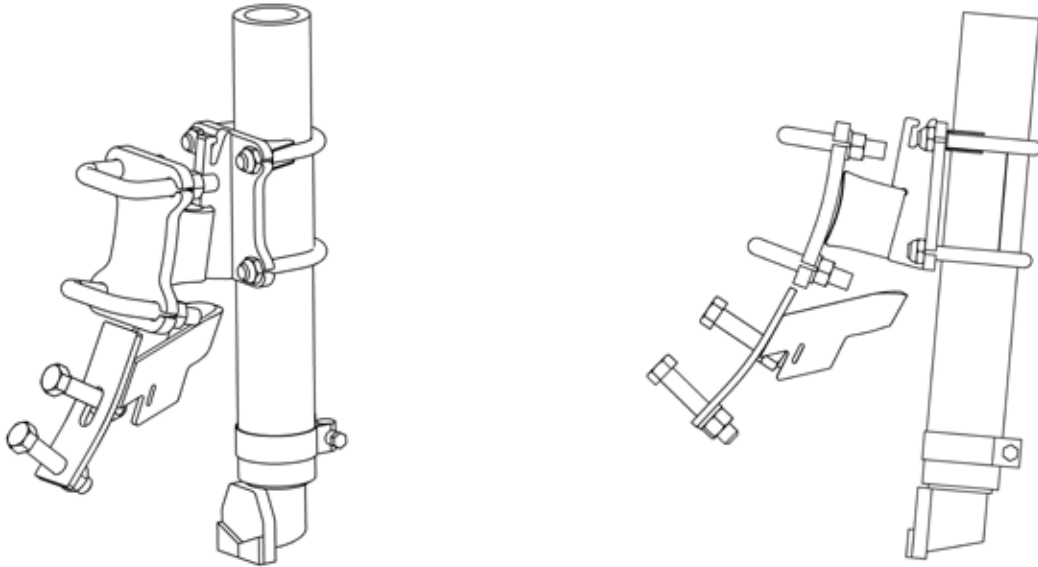
NT11 FLEXIBOOT & BRACKET KIT

Included: All parts pictured, including trashguard & fasteners.

\$200 +GST

SEE PAGE 36 FOR
PART #'S

Hose Pipe
38mm ID



NT11 FRONT OF TYNE KITS

SUITS: DOUBLE-BOLT C-SHANK AND EDGE-ON TYNES (EXAMPLES LISTED PAGE 36)

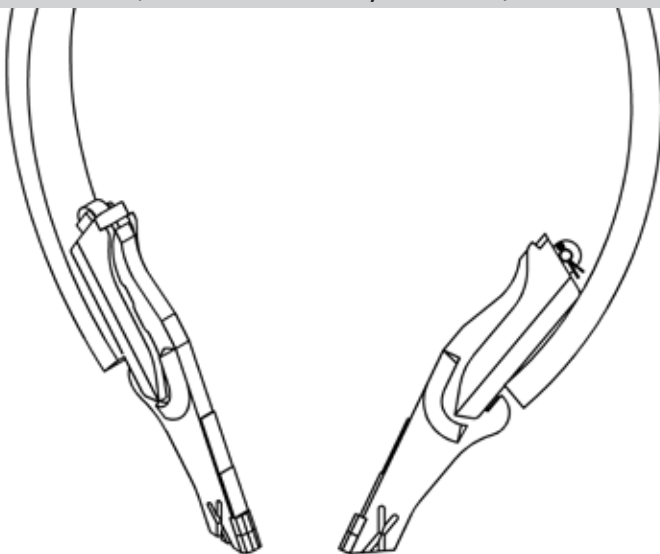
- * Front-of-tyne assembly *Seven NT11 point options *Compatible with full Agmaster Seeding Boot range

NT11 POINT & HOLDER KITS (NO BOOT)

Included: Point, Holder & Pin only. No bolts/u-bolts.

\$95 - \$140 +GST

SEE PAGES 34 & 36
FOR POINT OPTIONS,
PART #'S & PRICING



Tyne bolts to be ordered separately if required, as these vary depending on seeding boot type and machine/tyne specifications. Contact Agmaster if you require assistance.

SEE PAGES 31 - 32 FOR REPLACEMENT POINTS, HOLDERS & PINS

NT11 FLEXIBOOT SEEDING KITS PRICE & PART NUMBERS MATRIX

INSTRUCTIONS:












1. Identify "Tyne Class" relevant to your machine/tyne
2. Select Point from left column

3. Select boot/closer from top row

4. Find part number & price relevant to your tyne class where your point & boot choice intersect

| | |
|------------------------------|---|
| C-SHANK TYNE CLASS 1: | Standard C-Shank tynes with 1/2" bolt holes & 1 3/4" spacings <i>Examples:</i> Morris 400lb, Flexicoil 350lb (holes reamed to 1/2"), Bourgault, Ezee-On, Horwood Bagshaw C-Shank, Shearer |
| C-SHANK TYNE CLASS 2: | Standard C-Shank tynes with 7/16" bolt holes & 1 3/4" spacings <i>Example:</i> Flexicoil 350lb (original un-reamed tyne bolt holes) |
| C-SHANK TYNE CLASS 3: | Standard C-Shank tynes with 7/16" bolt holes & 2 1/4" spacings <i>Examples:</i> Morris 650lb/Hydraulic, John Deere 1810-1830, Flexicoil 550lb/650lb/Hydraulic |
| EDGE-ON TYNE CLASS 4: | Edge-On tynes (wide foot with narrow shank) with 1/2" bolt holes Horwood Bagshaw ScariBar, Gason Scari/Hydra Till & Simplicity |

FOR TYNES NOT LISTED UNDER ANY OF THE FOUR CLASSIFICATIONS, PLEASE CONTACT AGMASTER

| | | FLEXIBOOT BOOT & BRACKET | | | | POINT & HOLDER | | |
|--|---|---|-----------|--|-----------|--|--|---------------|
| | | FB2840 40mm Closer (recommended) | | FB2850 50mm Closer | | NO BOOT NT19 Point & Holder Kits include pins but no bolts | | |
| BOOTS Flexi Boot Options  POINTS NT11 Knife Points  | |  | |  | | | | |
|  | PT1120 12mm Straight Standard | C-SHANK #1 | PHB127184 | | PHB127185 | | PTH1210 | |
| | | C-SHANK #2 | PHB127284 | \$290 +GST | PHB127285 | \$290 +GST | PTH1211 | \$90 +GST |
| | | C-SHANK #3 | PHB127384 | | PHB127385 | | PTH1210 | |
| | | EDGE-ON #4 | PHB127484 | | PHB127485 | | PTH1210 | |
|  | PT1150 12mm Straight Liquid | C-SHANK #1 | PHB157184 | | PHB157185 | | PTH1510 | |
| | | C-SHANK #2 | PHB157284 | \$320 +GST | PHB157285 | \$320 +GST | PTH1511 | \$120 +GST |
| | | C-SHANK #3 | PHB157384 | | PHB157385 | | PTH1510 | |
| | | EDGE-ON #4 | PHB157484 | | PHB157485 | | PTH1510 | |
|  | PT1140 14mm Lo-Thro Standard | C-SHANK #1 | PHB147184 | | PHB147185 | | PTH1410 | |
| | | C-SHANK #2 | PHB147284 | \$300 +GST | PHB147285 | \$300 +GST | PTH1411 | \$100 +GST |
| | | C-SHANK #3 | PHB147384 | | PHB147385 | | PTH1410 | |
| | | EDGE-ON #4 | PHB147484 | | PHB147485 | | PTH1410 | |
|  | PT1170 14mm Lo-Thro Liquid | C-SHANK #1 | PHB177184 | | PHB177185 | | PTH1710 | |
| | | C-SHANK #2 | PHB177284 | \$330 +GST | PHB177285 | \$330 +GST | PTH1711 | \$130 +GST |
| | | C-SHANK #3 | PHB177384 | | PHB177385 | | PTH1710 | |
| | | EDGE-ON #4 | PHB177484 | | PHB177485 | | PTH1710 | |
|  | PT1160 16mm Straight Standard | C-SHANK #1 | PHB167184 | | PHB167185 | | PTH1610 | |
| | | C-SHANK #2 | PHB167284 | \$300 +GST | PHB167285 | \$300 +GST | PTH1611 | \$100 +GST |
| | | C-SHANK #3 | PHB167384 | | PHB167385 | | PTH1610 | |
| | | EDGE-ON #4 | PHB167484 | | PHB167485 | | PTH1610 | |
|  | PT1190 16mm Straight Liquid | C-SHANK #1 | PHB197184 | | PHB197185 | | PTH1910 | |
| | | C-SHANK #2 | PHB197284 | \$330 +GST | PHB197285 | \$330 +GST | PTH1911 | \$130 +GST |
| | | C-SHANK #3 | PHB197384 | | PHB197385 | | PTH1910 | |
| | | EDGE-ON #4 | PHB197484 | | PHB197485 | | PTH1910 | |
|  | PT1130 16mm Winged | C-SHANK #1 | PHB137184 | | PHB137185 | | PTH1310 | |
| | | C-SHANK #2 | PHB137284 | \$340 +GST | PHB137285 | \$340 +GST | PTH1311 | \$140 +GST |
| | | C-SHANK #3 | PHB137384 | | PHB137385 | | PTH1310 | |
| | | EDGE-ON #4 | PHB137484 | | PHB137485 | | PTH1310 | |
| NO POINT NT11 Flexiboot kits are designed to fit with NT11 Point & Holders but can be adapted to NT19 Adjusta-Points | C-SHANK #1 | C-SHANK #1 | BRB7184 | | BRB7185 | | *TO ADD "RED" SOFT POINT OPTION AS EXPLAINED ON P26 FOR PT1120 OR PT1160, ADD THE LETTER "R" TO END OF KIT PART # | |
| | C-SHANK #2 | C-SHANK #2 | BRB7284 | \$200 +GST | BRB7285 | \$200 +GST | | |
| | C-SHANK #3 | C-SHANK #3 | BRB7384 | | BRB7385 | | | |
| | EDGE-ON #4 | EDGE-ON #4 | BRB7484 | | BRB7485 | | | |

NT11 FLEXI BOOT REPLACEMENT PARTS

Flexi Boots



FB2840
FB2850



FB2870



HC52T



FB2834
FB2835



CL2844
CL2845



SP2880

| | | Exc | Inc |
|---------------|-------------------------------------|----------------|-----------------|
| FB2870 | Flexi Boot hose 340mm long | \$35.00 | \$ 38.50 |
| HC52T | Hose Clamp | \$ 5.00 | \$ 5.50 |
| FB2840 | Flexi Boot 40mm Closer – Inc SP2880 | \$95.00 | \$104.50 |
| FB2850 | Flexi Boot 50mm Closer – Inc SP2880 | \$95.00 | \$104.50 |
| FB2834 | Hose Insert with 40mm Closer | \$50.00 | \$ 55.00 |
| FB2835 | Hose Insert with 50mm Closer | \$50.00 | \$ 55.00 |
| CL2844 | Closer Plate, weld-on, 40mm wide | \$25.00 | \$ 27.50 |
| CL2845 | Closer Plate, weld-on, 50mm wide | \$25.00 | \$ 27.50 |
| SP2880 | Spring Inner 200 x 37 | \$10.00 | \$ 11.00 |

Flexi Boot Brackets



FB2710



FB2740



FBH2800



HC2145



FB2810



FB2820

| | | Exc | Inc |
|----------------|---|----------------|----------------|
| FB2710 | *** Suits two bolt flat tynes | \$65.00 | \$71.50 |
| FB2740 | **** Suits two bolt edge-on tynes | \$65.00 | \$71.50 |
| FBH2800 | Hose support bracket with hose clamp (HC2145) | \$20.00 | \$22.00 |
| HC2145 | Hose Clamp 21-45mm (for fertiliser tube) | \$ 3.00 | \$ 3.30 |
| FB2810 | Support Saddle | \$ 5.00 | \$ 5.50 |
| FB2820 | Grip Clamp | \$ 5.00 | \$ 5.50 |
| UBN2007 | M10 U-Bolt to clamp hose to bracket | \$ 5.00 | \$ 5.50 |

*** Uses UBN2001 – U-Bolt M12, 65 x 52, with Nuts & Washers

**** Uses UBN2002 – U-Bolt M12, 90 x 30, with Nuts & Washers

FOR REPLACEMENT POINTS & HOLDERS PLEASE REFER TO PAGES 31-32

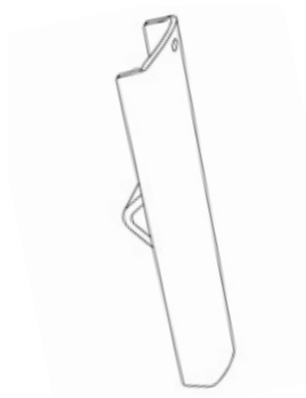
NT11 OPTIONAL EXTRAS

Trashguard Kits & Parts

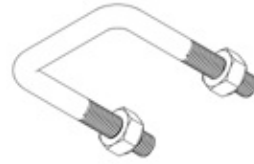
Will only fit up to NT11 series holders and PT1580 Bolt on Points on double hole tynes



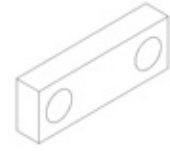
TGU1170
TGU1177



TG1170



UBN1003
UBN1004

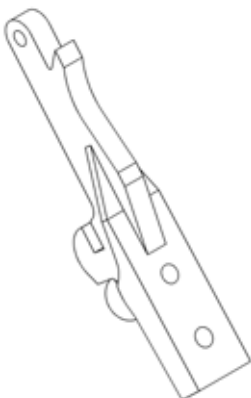


TG1173
TG1175

| | | Exc | Inc |
|--|---|----------------|----------------|
| TGU1170 | Trashguard, U-Bolt and Lug Kit – Flat-on Tynes | \$38.00 | \$41.80 |
| TGU1177 | Trashguard, U-Bolt and Lug Kit– Edge-on Tynes | \$38.00 | \$41.80 |
| PLEASE NOTE: <i>These Trashguards do not fit the Gason Hydratill Edge-On tyne. Agmaster suggests ordering a sample to see if any modifications can be made to make it fit this tyne before a full set is ordered.</i> | | | |
| TG1170 | NT11 Trashguard | \$28.00 | \$30.80 |
| UBN1003 | U Bolt M10 75 x 52 with nuts – for Flat on Tynes | \$ 5.00 | \$ 5.50 |
| UBN1004 | U Bolt M10 110 x 30 with nuts – for Edge on Tynes | \$ 5.00 | \$ 5.50 |
| TG1175 | U Bolt Lug to suit UB1003 | \$ 5.00 | \$ 5.50 |
| TG1173 | U Bolt Lug to suit UB1004 | \$ 5.00 | \$ 5.50 |

Sweep Adaptors

Uses retaining pin to secure into Point Holder (page 40)

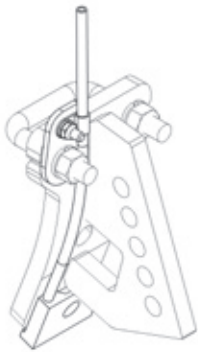


| | | Exc | Inc |
|---------------|--|----------------|----------------|
| SW1210 | Sweep Adaptor ½" x 1¾" bolt centre (12.7mm x 44.5mm) | \$30.00 | \$33.00 |
| SW1220 | Sweep Adaptor ½" x 2¼" bolt centre (12.7mm x 57mm) | \$30.00 | \$33.00 |
| SW1270 | Sweep Adaptor 7/16" x 1¾" bolt centre (11.5mm x 44.5mm) | \$30.00 | \$33.00 |

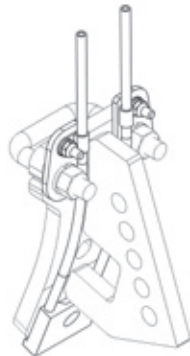
Depending on Point or Wedge thickness, 2 different length plough bolts are required (Agmaster does not supply)
Sweep adaptor thickness is ~55mm and ~26mm around the bolt holes

NT11 Liquid Kits

Liquid Kits piggy back the bracket of the NT11 Rigid Boot & Bracket Kits



LIQUID KIT SINGLE



LIQUID KIT DOUBLE

| | Exc | Inc |
|---------------------|---------|---------|
| Liquid Kit – Single | \$35.00 | \$38.50 |
| Liquid Kit – Double | \$52.00 | \$57.20 |

| | |
|--------------|---|
| LFK51 | NT19/NT11 Liquid Fertiliser Kit – Single to take flexible 3mm tube with 6mm casing |
| LFK52 | NT19/NT11 Liquid Fertiliser Kit – Double to take flexible 3mm tube with 6mm casing |
| LFK53 | NT19/NT11 Liquid Fertiliser Kit – Single to take 4-6mm flexible tube with 10mm casing |
| LFK54 | NT19/NT11 Liquid Fertiliser Kit – Double to take 4-6mm flexible tube with 10mm casing |

PLEASE NOTE: Our liquid kits have been designed for use with NT19/NT11 Rigid Boots but some users have modified them to suit Flexi-Boots in the past. **Contact Agmaster for more information if required.**

NT11 Liquid Kit Parts



LF2510
LF2530



LF2520
LF2540



LF2550



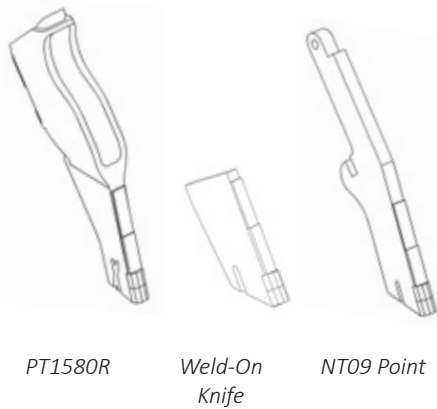
LF2570
LF2580



PC6S
PC10S

| | | Exc | Inc |
|-----------------|--|---------|---------|
| LF2510 | Liquid Fertiliser Clamp Plate – Single – suit 3mm tube/6mm casing | \$20.00 | \$22.00 |
| LF2520 | Liquid Fertiliser Clamp Plate – Double – suit 3mm tube/6mm casing | \$22.00 | \$24.20 |
| LF2530 | Liquid Fertiliser Clamp Plate – Single – suit 4-6mm tube/10mm casing | \$20.00 | \$22.00 |
| LF2540 | Liquid Fertiliser Clamp Plate – Double – suit 4-6mm tube/10mm casing | \$22.00 | \$24.20 |
| LF2550 | Liquid Fertiliser 'P' Clamp Lug | \$ 6.00 | \$ 6.60 |
| LF2570 | Liquid Fertiliser casing 6mm Shaped – to suit 3mm tube | \$ 7.00 | \$ 7.70 |
| LF2580 | Liquid Fertiliser casing 10mm Shaped – to suit 4-6mm tube | \$ 7.00 | \$ 7.70 |
| PC6S | P Clamp 6mm Stainless Steel | \$ 2.00 | \$ 2.20 |
| PC10S | P Clamp 10mm Stainless Steel | \$ 2.00 | \$ 2.20 |
| BON6M16S | Bolt 6mm x 16mm Stainless Steel and Nyloc Nut | \$ 0.70 | \$ 0.77 |

NT05 & NT09 Points



PT1580R

Weld-On
Knife

NT09 Point

NT09 Series – Cut From Plate. Fits NT11 Holder

PT1962 - 16mm thick, 30mm shorter

PT1963 - 16mm thick, 20mm longer

(obsolete when stock exhausted)

PT1964 - 16mm thick, 40mm longer

Weld-on Knives - For Self-Repair of NT09 Series Points

PT1930 Weld On 12mm

PT1940 Weld On 16mm

| | Exc | Inc |
|---|----------|----------|
| PT1962 - 16mm thick, 30mm shorter | \$ 85.00 | \$ 93.50 |
| PT1963 - 16mm thick, 20mm longer <i>(obsolete when stock exhausted)</i> | \$100.00 | \$110.00 |
| PT1964 - 16mm thick, 40mm longer | \$105.00 | \$115.50 |
| PT1930 Weld On 12mm | \$ 55.00 | \$ 60.50 |
| PT1940 Weld On 16mm | \$ 65.00 | \$71.50 |

NT05 Series – 16mm Points - Double Hole Bolt on points

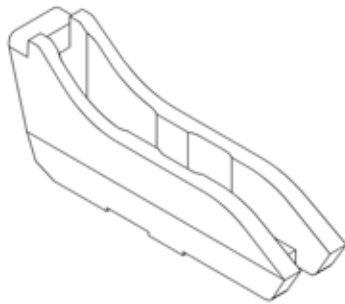
PT1580R *** or **** To suit all tynes with ½" holes (only available in Red Soft Tip)

| | Exc | Inc |
|---|----------|----------|
| PT1580R *** or **** To suit all tynes with ½" holes (only available in Red Soft Tip) | \$110.00 | \$121.00 |

*** Uses ½" x 3" Bolt & Nut (Part No. BNW123) through the tyne

**** Uses ½" x 2½" Bolt & Nut (Part No BNW12212) through the tyne

Point Holders



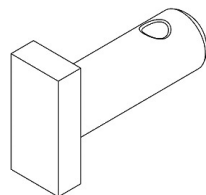
| | Exc | Inc |
|----------------|---------|---------|
| HL1100 | \$20.00 | \$22.00 |
| HL1110 | \$20.00 | \$22.00 |
| HLT1100 | \$21.00 | \$23.10 |
| HLT1110 | \$21.00 | \$23.10 |

Holder for Points PT1120 – PT1190 and PT1962 – PT1964 as well as Sweep Adaptors

| | |
|----------------|--|
| HL1100 | Point Holder ½" x 1¾" & 2¼" bolt centres For tynes with either 1¾" (44.5mm) or 2¼" (57mm) bolt centres and ½" holes e.g. Flexicoil 350lb reamed out to ½" holes, Morris 400lb, Bourgault, Ezee-On, Flexicoil 550lb, John Deere, John Shearer, Horwood Bagshaw, Gason Scari and similar |
| HL1110 | Point Holder 7/16" x 1¾" bolt centres (12mm x 44.5mm) For Flexicoil 350lb, Gason 5100 2 bolt tyne and similar |
| HLT1100 | Includes HL1100 and Retainer Pin (TSP) |
| HLT1110 | Includes HL1110 and Retainer Pin (TSP) |

Retainer Pins

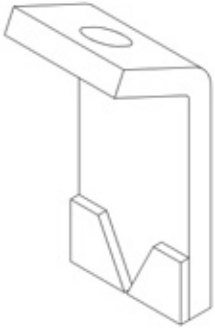
Fit series NT09 & NT11 Points & Sweep Adaptors



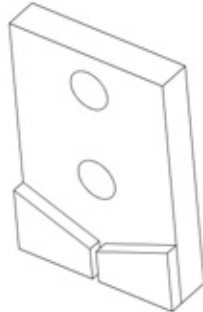
| | | Exc | Inc |
|---------------|--|--------|--------|
| TSP | Pin 'T' Diameter 10mm + Pin Split 4 x 25mm | \$1.50 | \$1.65 |
| TP1180 | Pin 'T' Diameter 10mm | \$1.40 | \$1.54 |
| PI425S | Pin Split 4 x 25mm | \$0.20 | \$0.22 |

REPLACEMENT CLOSER PLATES

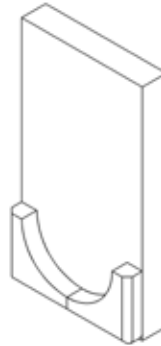
All closers have tungsten carbide corners unless noted 'hard face weld'.



NT03 40mm



NT07 Series



**NT19/NT11/09/08
Rigid Boots**



Flexi Boots

NT03 Series

CL2440 40mm wide (*obsolete when stock exhausted*)

| Exc | Inc |
|---------|---------|
| \$25.00 | \$27.50 |

NT07 Series

CL2474 40mm wide (*obsolete when stock exhausted*)

| | |
|---------|---------|
| \$25.00 | \$27.50 |
|---------|---------|

NT 11/09/08 Series – Weld on

CL2494* 40mm wide

| | |
|---------|---------|
| \$25.00 | \$27.50 |
|---------|---------|

CL2494HF* 40mm wide with hard face weld

| | |
|---------|---------|
| \$18.00 | \$19.80 |
|---------|---------|

CL2495* 50mm wide

| | |
|---------|---------|
| \$25.00 | \$27.50 |
|---------|---------|

CL2495HF* 50mm wide with hard face weld

| | |
|---------|---------|
| \$18.00 | \$19.80 |
|---------|---------|

CL2496 65mm wide

| | |
|---------|---------|
| \$28.00 | \$30.80 |
|---------|---------|

CL2496HF 65mm wide with hard face weld

| | |
|---------|---------|
| \$21.00 | \$23.10 |
|---------|---------|

****If welding closers to Cast Boot BT2540/50 recommend to use Stainless electrode Gr 309***

Flexi Boots – Weld on

CL2844 40mm wide

| | |
|---------|---------|
| \$25.00 | \$27.50 |
|---------|---------|

CL2845 50mm wide

| | |
|---------|---------|
| \$25.00 | \$27.50 |
|---------|---------|

NT08 POINT & BOOT KITS

SUITS: *ALFARM 530/630 *NAPIER GRASSLANDS *FORWARD/CHAMBERLAIN 275/746/753/853
 *SHEARER 580/620 *JOHN DEERE SCARIFIER *FORWARD SCARIFIER*INTERNATIONAL SCARIFIER
 *CHAMBERLAIN TERRAMASTER

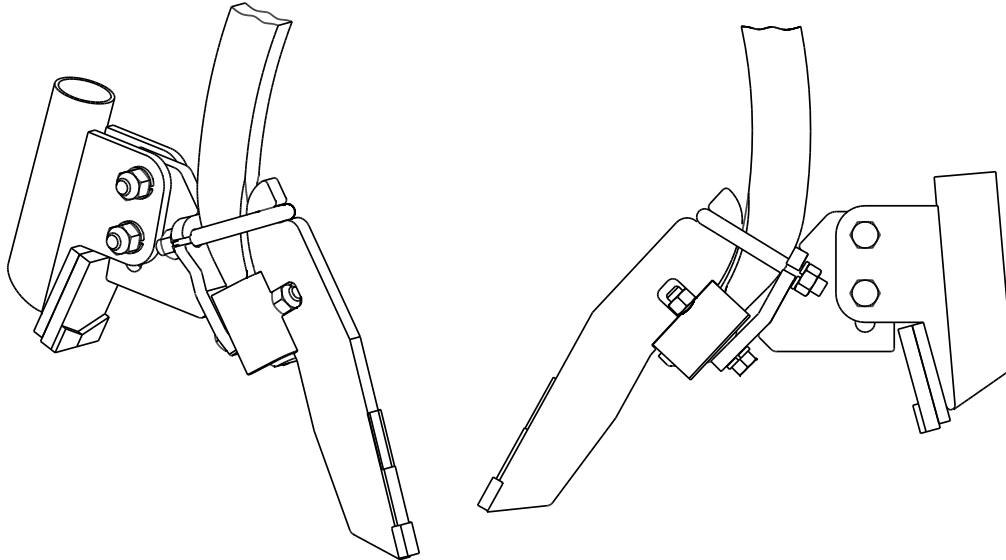
NT08 series Kits are for Single Bolt tynes and include Point, Boot, Bracket, Bolt & Nuts. These Kits are standard with 12mm Point and 40mm Closer Plate on Single System Boot but has the option of other Boots. (See Page 45)

NT08 RIGID BOOT

Included: All parts pictured including fasteners.

\$210 - \$370 +GST

SEE PAGE 44
 FOR PART #'S
 AND PRICING



Prices NT08 Point & Boot Kit

| | Exc | Incl |
|--------------|----------|----------|
| Standard Kit | \$190.00 | \$209.10 |

Contact Agmaster to order kits with alternative boot option to standard BT2540 Single Shoot w 40mm closer

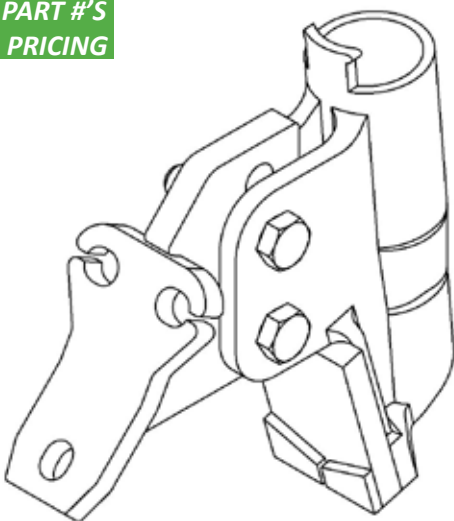
Soft Tip Option: A softer tip on the point for extremely rocky conditions is available for NT08 Kits identified above with #. These are identified by the point being painted **Red**. To order this option an "R" needs to be added to the part number. There is no price difference for "Red" points.

NT08 BOOT & BRACKET KITS (NO POINT)

Included: All parts pictured and u-bolt.

\$115 +GST

SEE PAGE 44
 FOR PART #'S
 AND PRICING






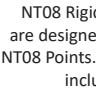



These assemblies suit the NT08 bolt-on points for tynes listed above. These assemblies include bracket, boot, u-bolt and all bolts and nuts.

Hose Pipe: Cast boots (BT2540/BT2550) are 38mm ID at top and taper down to 32mm ID to suit narrower hose sizes

FOR REPLACEMENT PARTS FOR THESE KITS PLEASE REFER TO PAGES 44-45

NT08 POINT & BOOT SEEDING KITS PRICE & PART NUMBERS MATRIX

| INSTRUCTIONS: 1. Identify Machine FROM COLUMN BELOW 2. Select BOOT/CLOSER FROM TOP ROW | | 3. Find part number and price where your machine row and boot option column intersect | | | |
|---|--|---|----------------------|---|----------------------|
| FOR MACHINES NOT LISTED, PLEASE CONTACT AGMASTER | | | | | |
| BOOTS Single-Shoot Rigid Boot Options | | SINGLE-SHOOT RIGID BOOT OPTIONS | | | |
| POINTS/MACHINES NT08 Knife Points | | BT2540 40mm Closer (recommended) | BT2550 50mm Closer | | |
|  | |  | |  | |
|  PT1810 12mm | ALFARM 530/630 | PBB812154 | \$190 +GST | PBB812155 | \$190 +GST |
|  PT1820 12mm | FORWARD/CHAMBERLAIN 275/746/753/853 | PBB822254 | \$190 +GST | PBB822255 | \$190 +GST |
|  PT1840 12mm | SHEARER 580/620 | PBB842454 | \$190 +GST | PBB842455 | \$190 +GST |
|  PT1860 12mm | SCARIFIERS (JOHN DEERE/ FORWARD/ INTERNATIONAL) CHAMBERLAIN TERRAMASTER | PBB862654 | \$190 +GST | PBB862655 | \$190 +GST |
| PT1865 16mm | | PBB8652654 | \$205 +GST | PBB8652655 | \$205 +GST |
| NO POINT NT08 Rigid Boot kits are designed to fit with NT08 Points. All fasteners included | ALFARM | BRB2154 | \$115 +GST | BRB2155 | \$115 +GST |
| | FORWARD/CHAMBERLAIN | BRB2254 | | BRB2255 | |
| | SHEARER | BRB2454 | | BRB2455 | |
| | SCARIFIERS/CHAMBERLAIN TMASTER | BRB2654 | | BRB2655 | |

NT08 SEEDING KIT REPLACEMENT PARTS

Points (Fabricated)

NT08 Series – 12mm Points - Uses M12 U-Bolt to secure top of point



Soft Tip Option: Points marked with # can be ordered with a softer tip for extremely rocky conditions. These are identified by the point being painted Red. To order, added the letter "R" to the part number. There is no price difference for Red points.

| | | | | Exc | Inc |
|---------------|---|-----|---|----------|----------|
| PT1810 | # | * | Alfarm 530 / 630, Napier Grasslands | \$ 75.00 | \$ 82.50 |
| PT1820 | # | * | Forward/Chamberlain 275 / 753 / 746 / 853 | \$ 75.00 | \$ 82.50 |
| PT1830 | | * | Gason Round Shoe (<i>Obsolete after stock exhausted</i>) | \$ 75.00 | \$ 82.50 |
| PT1840 | # | * | Shearer 580 / 620 | \$ 75.00 | \$ 82.50 |
| PT1850 | | ** | Connershea Scari (<i>Obsolete after stock exhausted</i>) | \$ 75.00 | \$ 82.50 |
| PT1860 | # | ** | John Deere / International Scari / Chamberlain Terramaster | \$ 75.00 | \$ 82.50 |
| PT1865 | # | ** | John Deere / International Scari / Chamberlain Terramaster - 16mm | \$ 90.00 | \$ 99.00 |
| PT1890 | # | *** | HBSTM 16mm (<i>Obsolete after stock exhausted</i>) | \$115.00 | \$126.50 |
| PT1930 | # | | Weld On 12mm knife for self-repair | \$ 55.00 | \$ 60.50 |

Bolts & U-bolts:

* Uses 7/16" x 2 1/2" Bolt & Nut (Part # BNW716212) through the tyne + 1x U-bolt & Nuts (Part # UBN2004)

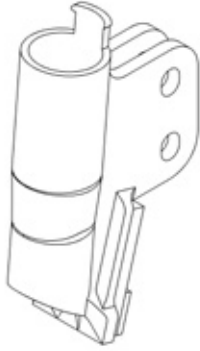
** Uses 1/2" x 2 1/4" Bolt & Nut (Part No. BNW12214) through the tyne + 1x U-bolt & Nuts (Part # UBN2003)

*** Uses 9/16" x 3" Bolt & Nut through the tyne (**Agmaster does not stock**)

44 Use one of our online building tools for Seeding Kits and Presswheels to help you with specific part numbers, calculations and prices.

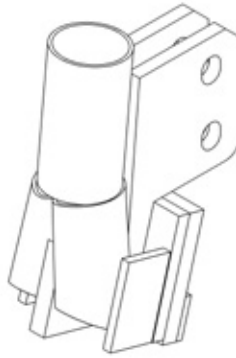
Replacement Boots

BT2540/BT2550



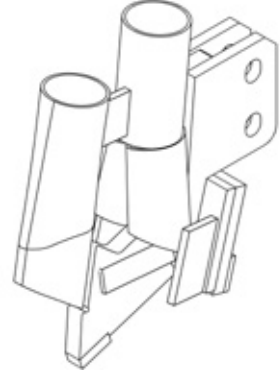
Standard Single-Shoot Boot
40 or 50mm Closer

BT2370



"Y" Tube Single-Shoot Boot
65mm Closer

BT2390



Dual Shoot Boot
65mm Closer

Wetter with Seed Option: Provision for liquid/wetter with the seed now comes standard on Single-Shoot Boots BT2540 & BT2550.

| | | Exc | Inc |
|---------------|--|------------------|----------|
| BT2540 | 40mm Closer Single System recommended for use with 12mm Point | \$ 60.00 | \$ 66.00 |
| BT2550 | 50mm Closer Single System recommended for use with 16mm Point | \$ 60.00 | \$ 66.00 |
| BT2370 | 65mm Closer with 'Y' Tube | \$125.00 | \$137.50 |
| BT2380 | 65mm Closer with Side-by-Side Tubes | \$125.00 | \$137.50 |
| BT2390 | 65mm Closer Split System with 'Y' seed spreader at front and fertiliser tube following | \$170.00 | \$187.00 |
| BT2399 | Split Fert Knife Weld-on | \$ 23.00 | \$ 25.30 |
| BT2398 | Split Boot Side Pipe Protectors hardfaced. | per set \$ 10.00 | \$ 11.00 |
| BNW122 | ½" x 2" Bolt, Nut & Washer for securing boot to bracket (2 required per boot) | \$ 3.00 | \$ 3.30 |

Hose Pipe: All boots are 38mm ID at top. Cast boots (BT2540/BT2550) taper down to 32mm ID to suit narrower hose sizes

Brackets



BR2210 – BR2270

| | | | Exc | Inc |
|---------------|----|---------|--|-------------------|
| BR2210 | * | Bracket | Alfarm 530 / 630 | \$ 50.00 \$ 55.00 |
| BR2220 | * | Bracket | Forward/Chamberlain 270/ 753 /846 /853 | \$ 50.00 \$ 55.00 |
| BR2240 | * | Bracket | Shearer 580 / 620 | \$ 50.00 \$ 55.00 |
| BR2250 | ** | Bracket | Connershea Scari | \$ 50.00 \$ 55.00 |
| BR2260 | ** | Bracket | John Deere / International Scari | \$ 50.00 \$ 55.00 |
| BR2270 | ** | Bracket | Shearer Scari | \$ 50.00 \$ 55.00 |

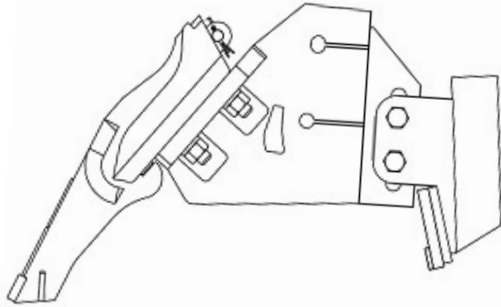
Bolts & U-bolts:

- * Uses 7/16" x 2½" Bolt & Nut (Part # BNW716212) through the tyne + 1x U-bolt & Nuts (Part # UBN2004)
- ** Uses ½" x 2¼" Bolt & Nut (Part No. BNW12214) through the tyne + 1x U-bolt & Nuts (Part # UBN2003)

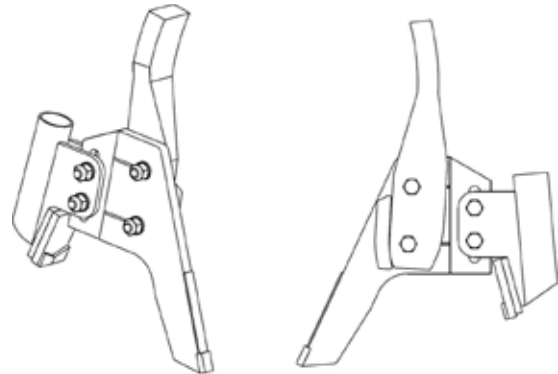
CONCORD POINT & BOOT KITS

There are two options of kits for Concord Side-Mounted tynes:

The NT11 Converter Kit uses a bracket to allow NT11 points & boots to be mounted to it. This allows for a variety of NT11 slip-on points as options as well as NT11 boots. The NT05 Bolt-On kit has a 16mm single piece bolt-on point that is fixed directly to the tyne. An NT11 boot is then bolted to the back of the point.



NT11 Concorde Converter Kit



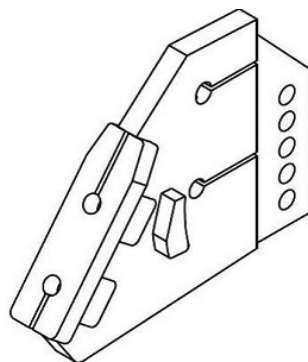
NT05 Bolt-On Kit

| | | Exc | Inc |
|------------------|--|----------|----------|
| PHB161655 | NT11 16mm Concorde Converter Kit with 50mm Closer | \$260.00 | \$286.00 |
| PTB5655 | NT05 16mm point, Concorde Bolt on Kit with 50mm Closer | \$195.00 | \$214.50 |

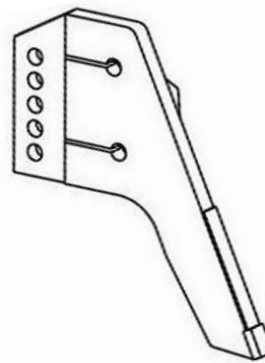
Soft Point Option: A softer tip on the points for extremely rocky conditions is available. These are identified by the point being painted **Red**. To order this option an "R" needs to be added to the part number.

Contact Agmaster to order kits with alternative boot option to standard BT2550 Single Shoot w 50mm closer

Replacement Parts for Concorde Point & Boot Kits



BR2160



PT1560

| | | Exc | Inc |
|---------------|------------------------------------|----------|----------|
| BR2160 | Bracket Concorde Converter to NT11 | \$100.00 | \$110.00 |
| PT1560 | ** NT05 Point Concorde Side Mount | \$135.00 | \$148.50 |

** Uses ½" x 2¼" Bolt & Nut (Part No. BNW12214) through the tyne

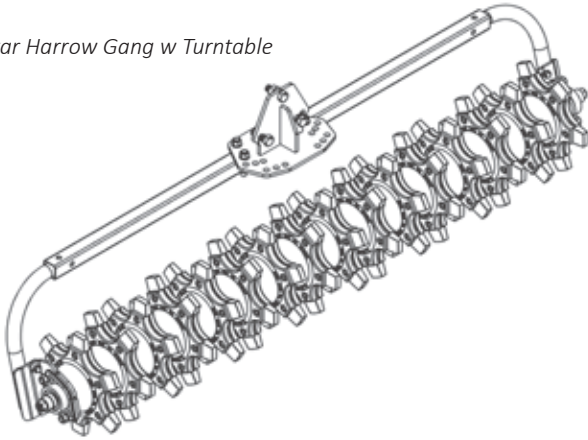
FOR REPLACEMENT POINTS, HOLDERS & BOOTS FOR NT11 KITS PLEASE REFER TO PAGES 31 - 33

HARROWS

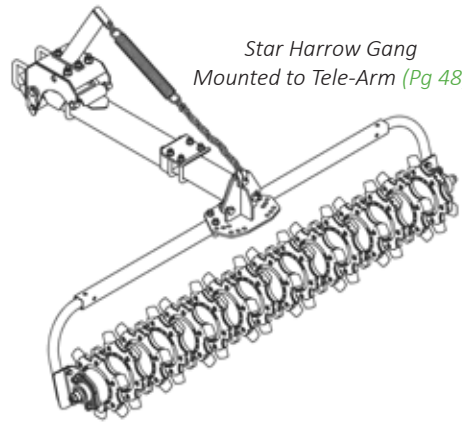
Star Harrow Gangs

The Rotary Star Harrows are available in 4ft, 5ft and 6ft coverage gangs. Each gang will cover its respective width at the maximum working angle (30°). In general, most harrows are set in mid range of adjustment for angle, hence there is usually ample to suit the required width of cover. 4ft and 5ft Gangs give a more even finish and 6ft gangs are recommended to be used only if necessary.

Star Harrow Gang w Turntable



Star Harrow Gang Mounted to Tele-Arm (Pg 48)



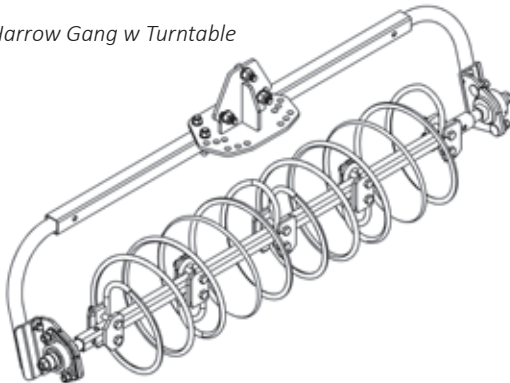
| | | Exc | Inc |
|--------------|---|------------------|------------------|
| HAT24 | 4ft Gang (HA3240 – 10 Stars) with Turntable | \$1600.00 | \$1760.00 |
| HAT25 | 5ft Gang (HA3250 – 13 Stars) with Turntable | \$1800.00 | \$1980.00 |
| HAT26 | 6ft Gang (HA3260 – 16 Stars) with Turntable | \$2000.00 | \$2200.00 |

Order TAS-- Arms with these Harrows (page 48)

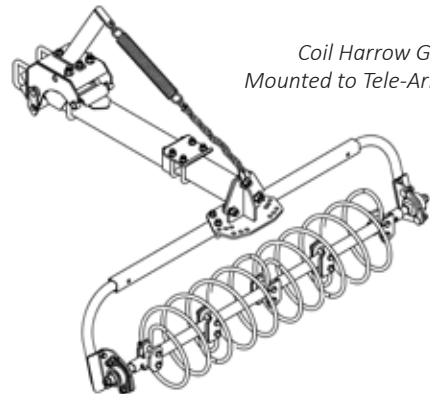
Coil Harrow Gangs

Coil Harrows are available in 4ft and 5ft coverage gangs

Coil Harrow Gang w Turntable



Coil Harrow Gang Mounted to Tele-Arm (Pg 48)



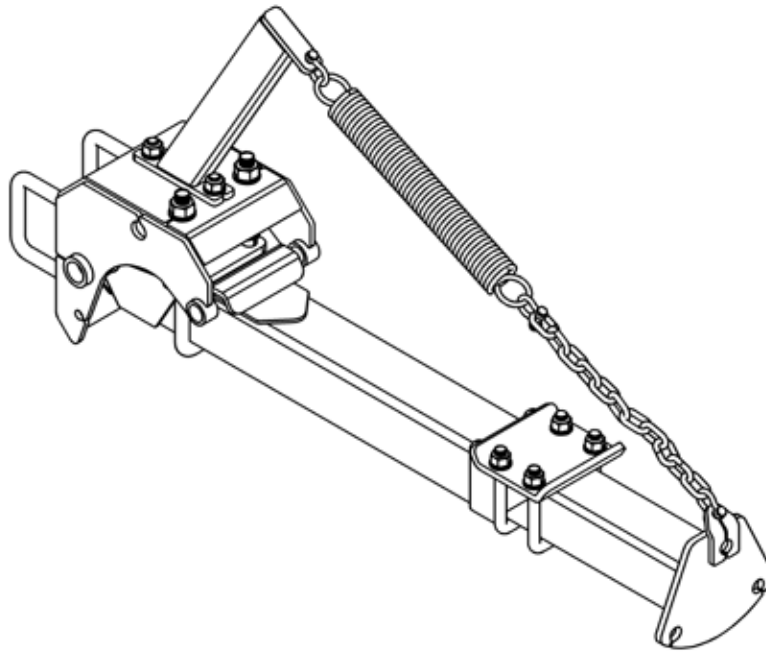
| | | | |
|--------------|--|------------------|------------------|
| HAT74 | 4ft Gang (HA3740 – 3 springs) with Turntable | \$1450.00 | \$1595.00 |
| HAT75 | 5ft Gang (HA3750 – 4 springs) with Turntable | \$1650.00 | \$1815.00 |

Order TAH-- Arms with these Harrows (page 48)

FOR REPLACEMENT PARTS FOR THESE GANGS PLEASE REFER TO PAGES 49 - 51

TELESCOPIC MOUNTING ARMS

Telescopic Harrow Arms come complete with spring kit on the top, bolts, nuts and backing plates to mount on the machine frame. One Arm required for each Harrow Gang.

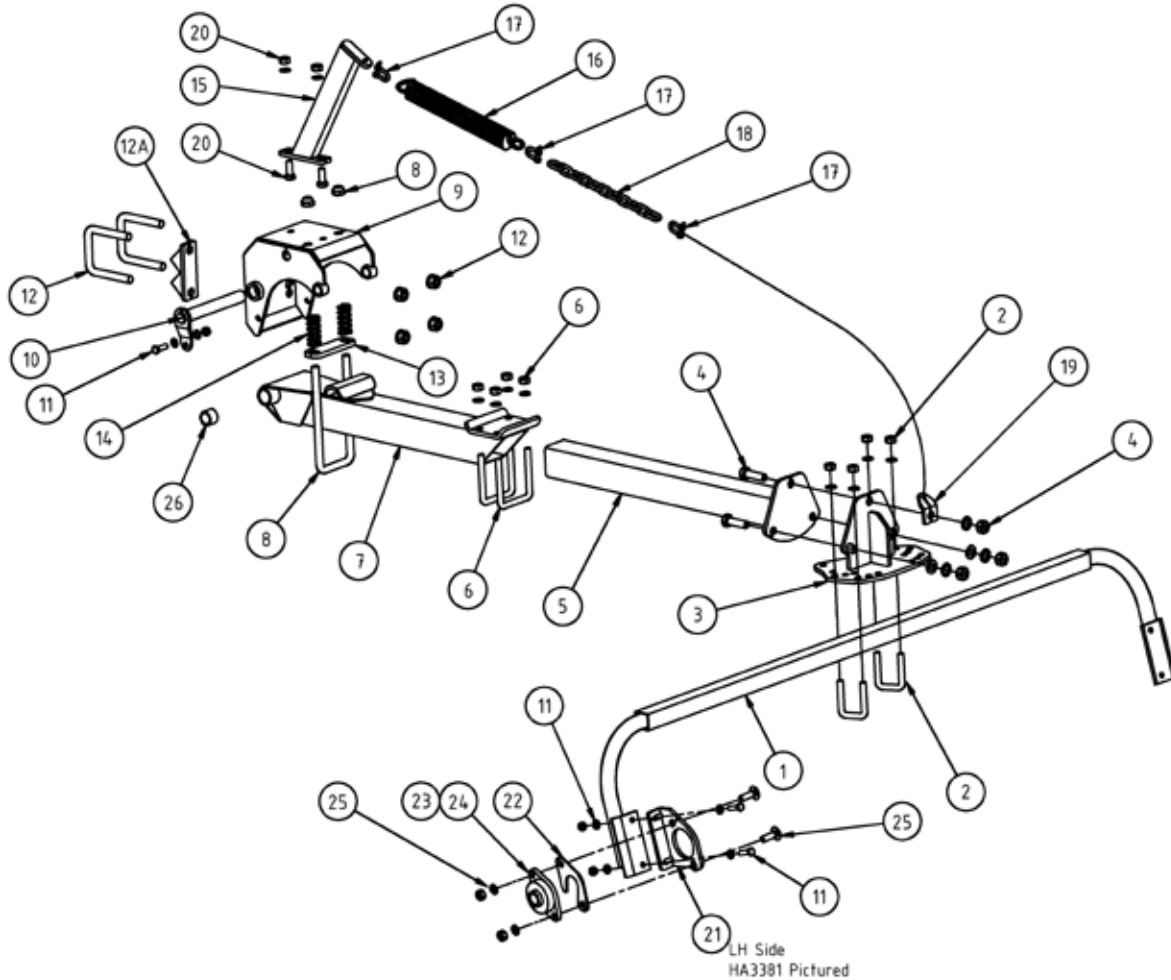


| | | Exc | Inc |
|---|--|------------------|------------------|
| Tele Arms to suit Star Harrows | | | |
| TAS04 | Telescopic Arm Kit to suit 100 x 100mm frame | \$1100.00 | \$1210.00 |
| TAS05 | Telescopic Arm Kit to suit 75 x 75mm frame | \$1100.00 | \$1210.00 |
| TAS08 | Telescopic Arm Kit to suit 75 x 75mm diamond frame (Shearer) | \$1100.00 | \$1210.00 |
| TAS00 | Telescopic Arm Kit to bolt on behind Agmaster fixed extensions for Presswheels | \$1100.00 | \$1210.00 |
| | | | |
| Tele Arms to suit Coil Harrows - comes with stronger spring for heavier coil gangs | | | |
| TAH04 | Telescopic Arm Kit to suit 100 x 100mm frame | \$1100.00 | \$1210.00 |
| TAH05 | Telescopic Arm Kit to suit 75 x 75mm frame | \$1100.00 | \$1210.00 |
| TAH08 | Telescopic Arm Kit to suit 75 x 75mm diamond frame (Shearer) | \$1100.00 | \$1210.00 |
| TAH00 | Telescopic Arm Kit to bolt on behind Agmaster fixed extensions for Presswheels | \$1100.00 | \$1210.00 |

FOR REPLACEMENT PARTS FOR THESE ARMS PLEASE REFER TO PAGES 49 - 50

HARROW COMPONENTS

TELE ARMS/TURNTABLE/GANG FRAME

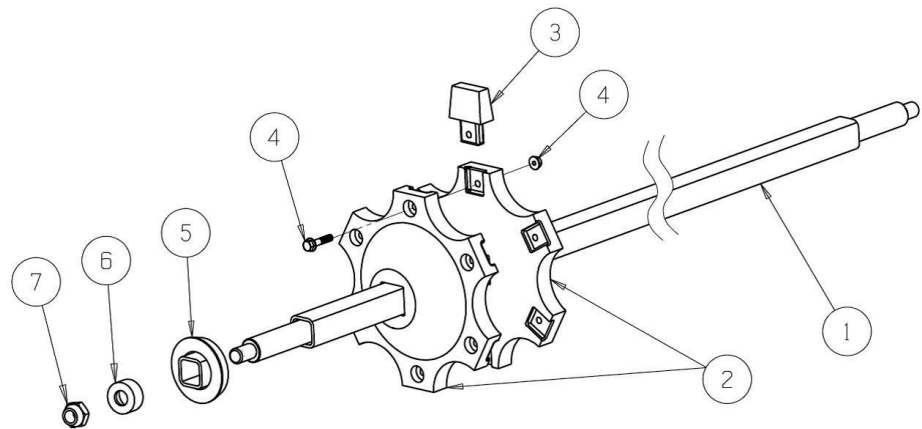
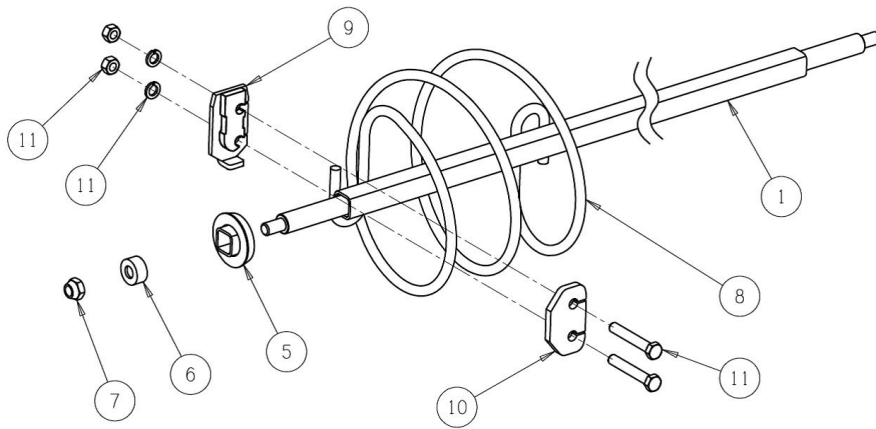


| Ref | Part No. | Description | Qty | Remarks | Exc | Inc |
|-----|-----------|--------------------------------|-----|-------------------------------|----------|----------|
| 1 | HA3340 | 4' U Frame | 1 | | \$210.00 | \$231.00 |
| | HA3350 | 5' U Frame | 1 | | \$230.00 | \$253.00 |
| | HA3360 | 6' U Frame | 1 | | \$250.00 | \$275.00 |
| 2 | UBN3003 | U Bolt – M16, Nut & Washer | 2 | | \$ 15.00 | \$ 16.50 |
| 3 | HA3310 | Turntable | 1 | | \$150.00 | \$165.00 |
| 4 | BNW20M60 | Bolt – M20 x 60, Nut & Washer | 3 | | \$ 6.00 | \$ 6.60 |
| 5 | TA3130 | Inner Arm | 1 | | \$150.00 | \$165.00 |
| 6 | UBN3002 | U Bolt – M16, Nut & Washer | 2 | | \$ 20.00 | \$ 22.00 |
| 7 | TA3120 | Outer Arm | 1 | | \$360.00 | \$396.00 |
| 8 | UBN3001 | U Bolt – M20, Nut & Washer | 1 | | \$ 35.00 | \$ 38.50 |
| 9 | HS3030 | Headstock | 1 | | \$300.00 | \$330.00 |
| 10 | HS3040 | Pivot Pin | 1 | | \$ 40.00 | \$ 44.00 |
| 11 | BNW12M40 | Bolt – M12 x 40, Nut & Washer | 5 | | \$ 2.00 | \$ 2.20 |
| 12 | UBN3004 | UBolt M20 – Supersedes HS3060 | 2 | For 100 mm Square RHS | \$ 25.00 | \$ 27.50 |
| | BNW20M120 | Bolt – M20 x 120, Nut & Washer | 4 | For 75 mm Square RHS | \$ 10.00 | \$ 11.00 |
| | VBN3006 | U-Bolt M20 x 140 x 122 ctr | 2 | Used with RHS Set on diagonal | \$ 25.00 | \$ 27.50 |
| 12a | HS3070 | Clamp Plate with BNW20M120 | 2 | For 75mm Square RHS | \$ 13.00 | \$ 14.30 |
| | HS3080 | Clamp Plate used with UB3006 | 2 | Used with RHS set on diagonal | \$ 20.00 | \$ 22.00 |
| 13 | HS3090 | Spring Plate | 1 | (Not used on Combines) | \$ 15.00 | \$ 16.50 |
| 14 | SP3011 | Spring | 2 | (Not used on Combines) | \$ 5.00 | \$ 5.50 |

Use one of our online building tools for Seeding Kits and Presswheels to help you with specific part numbers, calculations and prices.

| Ref | Part No. | Description | Qty | Remarks | Exc | Inc |
|-----|-------------|----------------------------------|-----|--------------------------|----------|----------|
| 15 | HK3610 | Spring Arm | 1 | | \$ 70.00 | \$ 77.00 |
| 16 | SP3012 | Spring 350 long | 1 | | \$ 30.00 | \$ 33.00 |
| | SP3013 | Spring 460 long for Coil Harrows | 1 | | \$ 40.00 | \$ 44.00 |
| 17 | SH10D | Shackle | 3 | | \$ 3.00 | \$ 3.30 |
| 18 | CH8X500 | Chain 500mm long | 1 | | \$ 10.00 | \$ 11.00 |
| 19 | HK3620 | Lifting Lug | 1 | | \$ 8.00 | \$ 8.80 |
| 20 | BNW16M40 | Bolt – M16 x 40 | 2 | | \$ 4.00 | \$ 4.40 |
| 21 | HA3370 | Brace/Bearing RH Assembled | 1 | Includes 21a,22,23,24,25 | \$ 90.00 | \$ 99.00 |
| | HA3380 | Brace/Bearing LH Assembled | 1 | Includes 21b,22,23,24,25 | \$ 90.00 | \$ 99.00 |
| 21a | HA3371 | Bracket – RH | 1 | | \$ 45.00 | \$ 49.50 |
| 21b | HA3381 | Bracket – LH (shown) | 1 | | \$ 45.00 | \$ 49.50 |
| 22 | HA3372 | Spacer plate | 2 | | \$ 7.00 | \$ 7.70 |
| 23 | BE114UCR3 | Bearing – UC207-20R3 | 2 | Triple Lip Seal | \$ 20.00 | \$ 22.00 |
| 24 | BE114FL | Flanged housing – 1 1/4" F207 | 2 | | \$ 12.00 | \$ 13.20 |
| 25 | BON16M50CUP | Cup Head Sq Bolt M16 x 50 & Nut | 4 | | \$ 6.00 | \$ 6.60 |
| 26 | XTA3123 | Tele Arm Outer Bush | 2 | Nyaltron Insert | \$ 6.00 | \$ 6.60 |

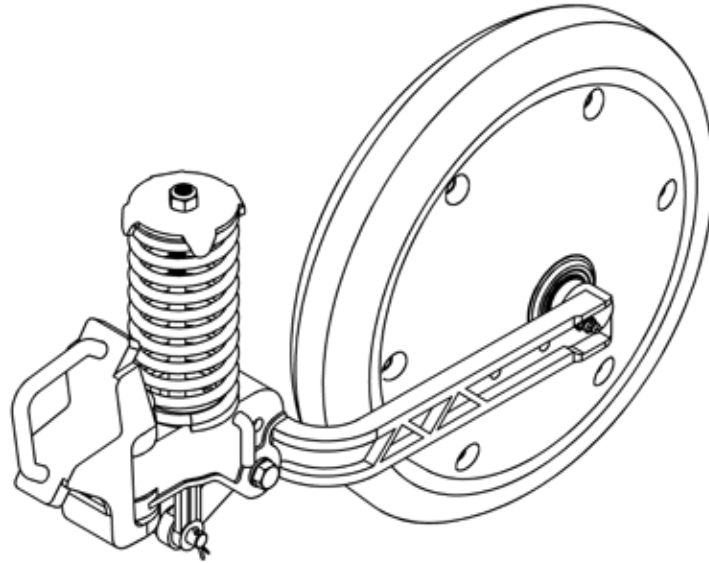
STARS, COILS & AXLES



| Ref | Part No. | Description | Qty | Remarks | Exc | Inc |
|-----|------------|------------------------------|------------|--|----------|----------|
| 1 | HA3440 | 4ft Axle | 1 | | \$140.00 | \$154.00 |
| | HA3450 | 5ft Axle | 1 | | \$150.00 | \$165.00 |
| | HA3460 | 6ft Axle | 1 | | \$160.00 | \$176.00 |
| 2 | HA3510 | Star Half | 2 per star | | \$ 25.00 | \$ 27.50 |
| 3 | HA3520 | Star Tip | 6 per star | | \$ 5.50 | \$ 6.05 |
| | HA3520x100 | Star Tips | Box of 100 | | \$500.00 | \$550.00 |
| 4 | BON8M35F | Bolt 8M x 35mm flanged & Nut | 6 per star | | \$ 1.00 | \$ 1.10 |
| | HA3500 | Harrow Star Assembled | 1 | Items 2, 3, 4 Assembled 10 Stars per 4ft axle 13 stars per 5ft axle 16 stars per 6ft axle | \$ 78.00 | \$ 85.80 |
| 5 | HA3390 | Slinger | 2 | | \$ 27.00 | \$ 29.70 |
| 6 | HA3410 | Sleeve | 2 | | \$ 7.00 | \$ 7.70 |
| 7 | NU20MNY | Nut – 20mm Nylock | 2 | | \$ 1.70 | \$ 1.87 |
| 8 | SP3701 | Spring Harrow Coil | 3 | Springs per 4ft axle | \$160.00 | \$176.00 |
| | | | 4 | Springs per 5ft axle | | |
| 9 | HA3710 | Coil Clamp | 6 | per 4ft axle | \$ 24.00 | \$ 26.40 |
| | | | 8 | per 5ft axle | | |
| 10 | HA3720 | Coil Clamp End Plate | 2 | per gang | \$ 13.00 | \$ 14.30 |
| 11 | BON16M110 | Bolt M16 x 110 ZP, Nuts | 8 | per 4ft axle | \$ 6.00 | \$ 6.60 |
| | | | 10 | per 5ft axle | | |

PRESSWHEEL MODULES

Presswheel modules are supplied individually and include "V" bolt to secure to 65x65x4mm mounting bar ([page 57](#))



| | | Exc | Inc |
|---------------|-------------------------------------|----------|----------|
| PWF50 | Presswheel Flat 50mm Assembly | \$450.00 | \$495.00 |
| PWV70 | Presswheel "V" 70mm Assembly | \$450.00 | \$495.00 |
| PWV95 | Presswheel "V" 95mm Assembly | \$450.00 | \$495.00 |
| PWW100 | Presswheel 'W' Shape 100mm Assembly | \$470.00 | \$517.00 |

FOR TYRE PROFILE IMAGES PLEASE REFER TO THE NEXT PAGE

Optional Extras

Inner Spring For extra down-pressure

| | | | |
|---------------|--------------------------------|----------|----------|
| SP4012 | Optional Inner Spring 145 x 60 | \$ 15.00 | \$ 16.50 |
|---------------|--------------------------------|----------|----------|

To add Inner Spring to presswheel, simply add SP4012 to your order, they will automatically be fitted during assembly

Presswheel Spacer For extra clearance and slight angle adjustment to assist in mud shedding

| | | | |
|-----------------|---|----------|----------|
| PW4440 | Optional wheel to arm spacer | \$ 20.00 | \$ 22.00 |
| BO16M120 | Corresponding bolt M16 x 120 for above spacer | \$ 5.00 | \$ 5.50 |

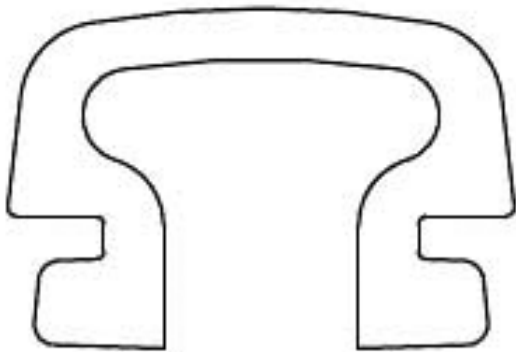
For Presswheel modules ordered with spacer factory fitted add 'S' to above assembly part no's. \$ 20.00 \$ 22.00

E.g. 70mm V tyre profile with spacer would be **PWV70S** \$470.00 \$517.00

FOR REPLACEMENT PARTS FOR THESE KITS PLEASE REFER TO PAGES 61 - 62

TYRE PROFILES

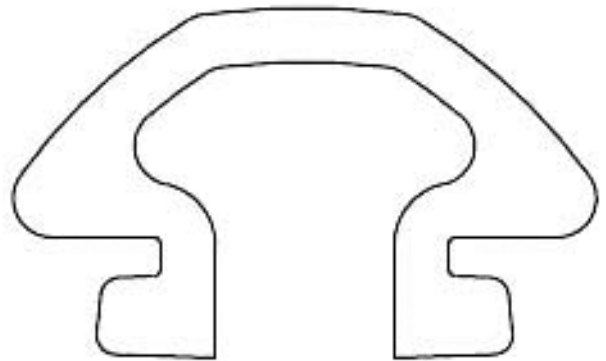
SEMI PNEUMATIC TYRE PROFILES



50mm Flat Tyre

Crumbles side of narrow slot
40-50mm Closers

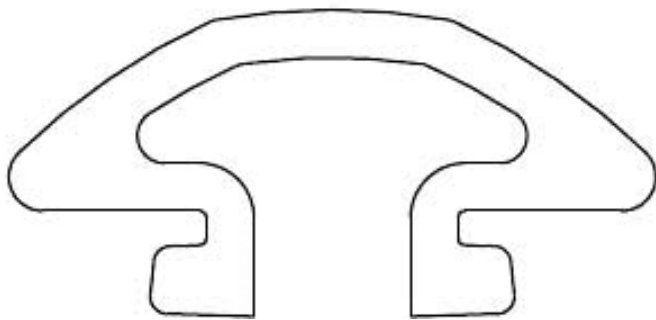
PWF50 \$450 +GST



70mm "V" Tyre

General purpose in mixed soil types
40-80mm Closers or Seekers

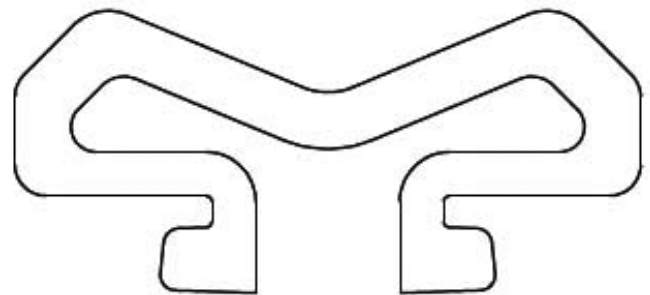
PWV70 \$450 +GST



95mm "V" Tyre

Wide press on light sand soils
50-95mm Closers or Seekers

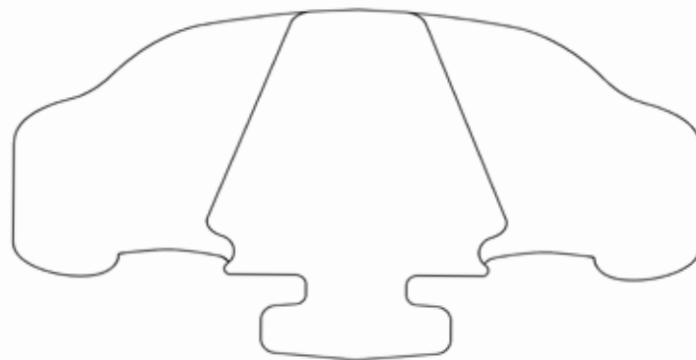
PWV95 \$450 +GST



100mm W Tyre

For use with 95mm paired-row seeker boots
95mm Seekers on flat fields

PWW100 \$470 +GST



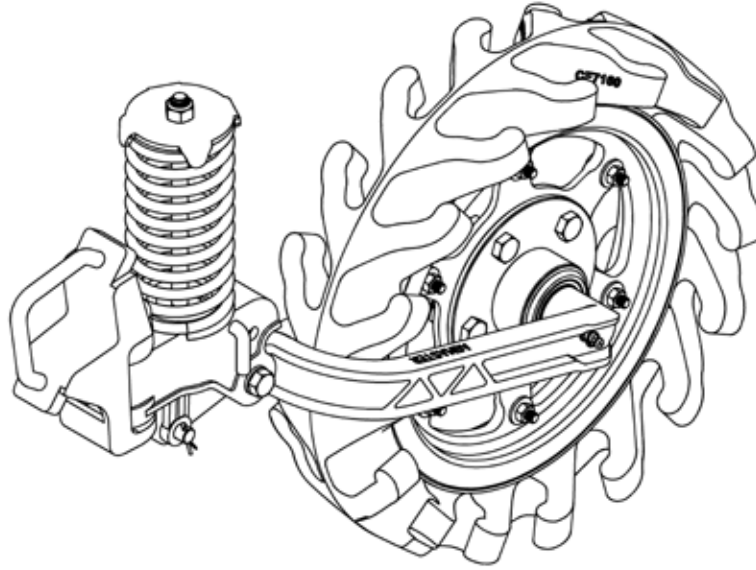
130mm 'Emu Tracker' Tyre

Most effective in moist soils where furrow
smearing/crusting is a problem
50-95mm Closers or Seekers

PWE130 \$600 +GST

EMU TRACKER PRESSWHEEL MODULES

Presswheel modules are supplied individually and include “V” bolt to secure to mounting bar



| | | Exc | Inc |
|---------------|--|-----------------|-----------------|
| PWE130 | Emu Tracker Presswheel 130mm Tyre Assembly | \$600.00 | \$660.00 |

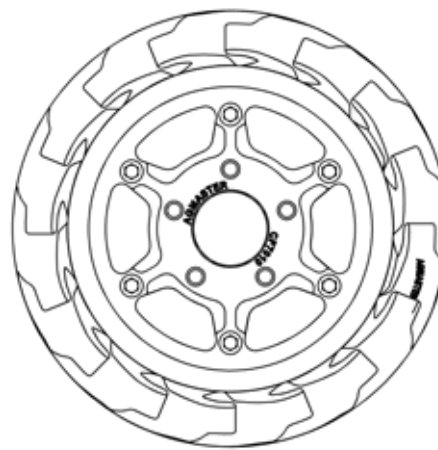
Optional Extras

Inner Spring For extra down-pressure

| | | | |
|---------------|--------------------------------|-----------------|-----------------|
| SP4012 | Optional Inner Spring 145 x 60 | \$ 15.00 | \$ 16.50 |
|---------------|--------------------------------|-----------------|-----------------|

To add Inner Spring to presswheel, simply add SP4012 to your order, they will automatically be fitted during assembly

Spare Parts



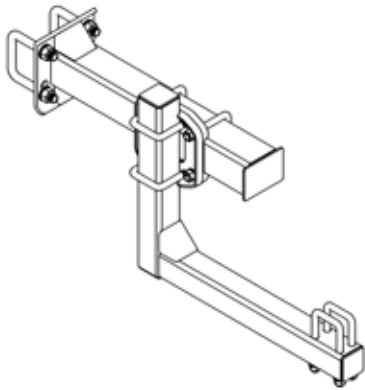
| | | Exc | Inc |
|---------------|---|-----------------|-----------------|
| CF7560 | Emu Tracker replacement 5 stud wheel assembly | \$280.00 | \$308.00 |
| CF7160 | Emu Tracker replacement tyre only | \$140.00 | \$154.00 |
| CF7050 | Emu Tracker 5 stud single half hub (two required per wheel) | \$ 70.00 | \$ 77.00 |

FOR OTHER REPLACEMENT PARTS FOR THE PIVOT/MOUNT ASSEMBLY PLEASE REFER TO PAGE 61

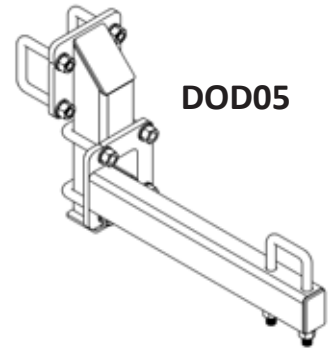
PRESSWHEEL MOUNTING ARMS

Fixed Extension Arm - Single

These kits bolt onto rear frame of the machine and provide an adjustable position for the mount bar (not included) to which the Presswheel bolts. Supplied with all parts & u-bolts pictured.



NOTE: 3x arms required for any machine sections with 18+ standard Presswheel modules or 12+ Emu Tracker modules

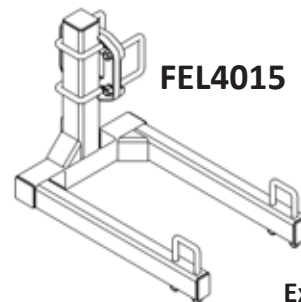
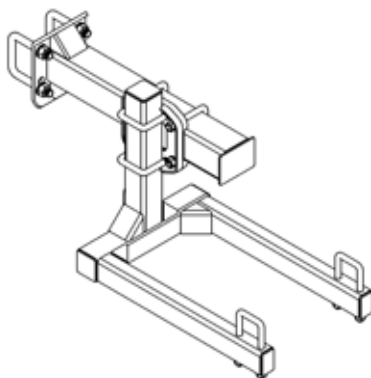


| | | | Exc | Inc |
|---------|--|---|----------|----------|
| FEO04 | Fixed Extension Arm | Suits 100 x 100 frame | \$625.00 | \$687.50 |
| FEO05 | Fixed Extension Arm | Suits 75 x 75 frame | \$625.00 | \$687.50 |
| FEO08 | Fixed Extension Arm | Suits 75 x 75 diamond frame (Shearer) | \$625.00 | \$687.50 |
| FEO00 # | Fixed Extension Arm | To fit in front of existing Agmaster Harrows | \$625.00 | \$687.50 |
| DOD05 | Compact Fixed Extension Arm to suit Duncan | Suits 75 x 75 Duncan frame | \$310.00 | \$341.00 |

FEO00 - U-BOLTS TO MOUNT TO MACHINE NOT INCLUDED. IF NEW ONES REQUIRED, ORDER 2X OF ITEM #7 ON P58 DEPENDING ON MACHINE FRAME SIZE

Fixed Extension Arm - Double Outrigger

For short sections of Folding Machines i.e. 7ft or less with a maximum 10x standard Presswheel Modules or 7x Emu Tracker Modules. Typically used on outer wings of Double Fold Machines



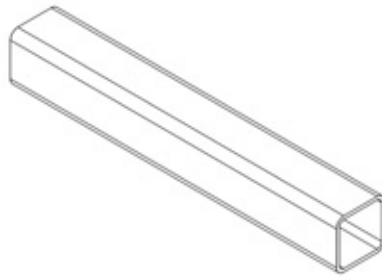
| | | | Exc | Inc |
|---------|---|---|----------|----------|
| FED04 | Fixed Extension Arm with Double Outrigger | Suits 100 x 100 frame | \$800.00 | \$880.00 |
| FED05 | Fixed Extension Arm with Double Outrigger | Suits 75 x 75 frame | \$800.00 | \$880.00 |
| FED08 | Fixed Extension Arm with Double Outrigger | Suits 75 x 75 diamond frame (Shearer) | \$800.00 | \$880.00 |
| FED00 | Fixed Extension Arm with Double Outrigger | To fit in front of Agmaster Harrows | \$800.00 | \$880.00 |
| FEL4015 | Double Outrigger only | For existing FE4030 or Harrow Tele Arm | \$480.00 | \$528.00 |

(If using FEL4015 on Harrow Tele Arm also order HS3050 x 1, PI8L x 2)

Per set **HSP3050**

\$ 22.00 \$ 24.20

Mounting Bar



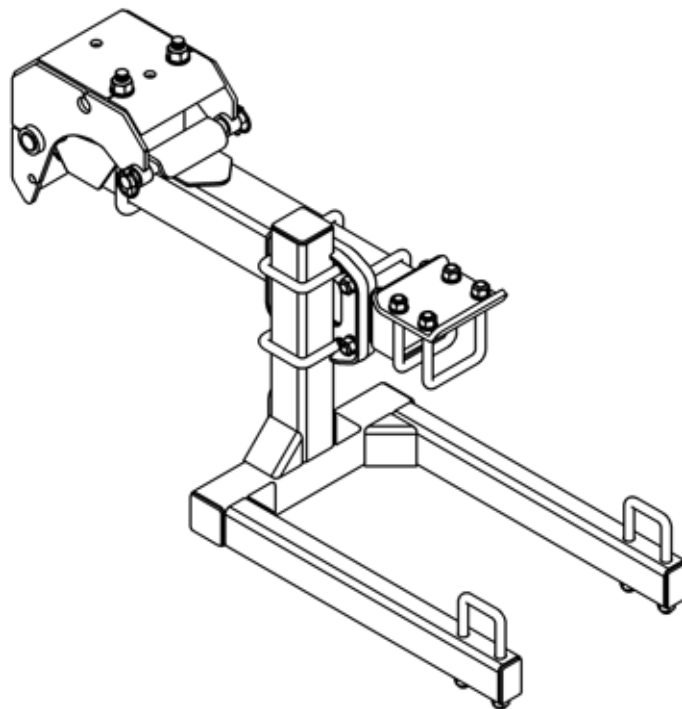
| | | | Exc | Inc |
|------------------|---|-----------|---------|---------|
| RH65654 x length | e.g.: RHS 65mm x 65mm x 4mm Duragal – cut and capped | per metre | \$45.00 | \$49.50 |

NOTE: Agmaster will only supply RHS to customers collecting from Welshpool Warehouse due to freight issues with such long parts. All other customers to source locally

| | | | | |
|------|---|--|---------|---------|
| CA65 | Cap 65mm Square Insert These plastic knock-in caps enclose the end of the above RHS (Included in mounting bar price) | | \$10.00 | \$11.00 |
|------|---|--|---------|---------|

Telescopic Extension Arm

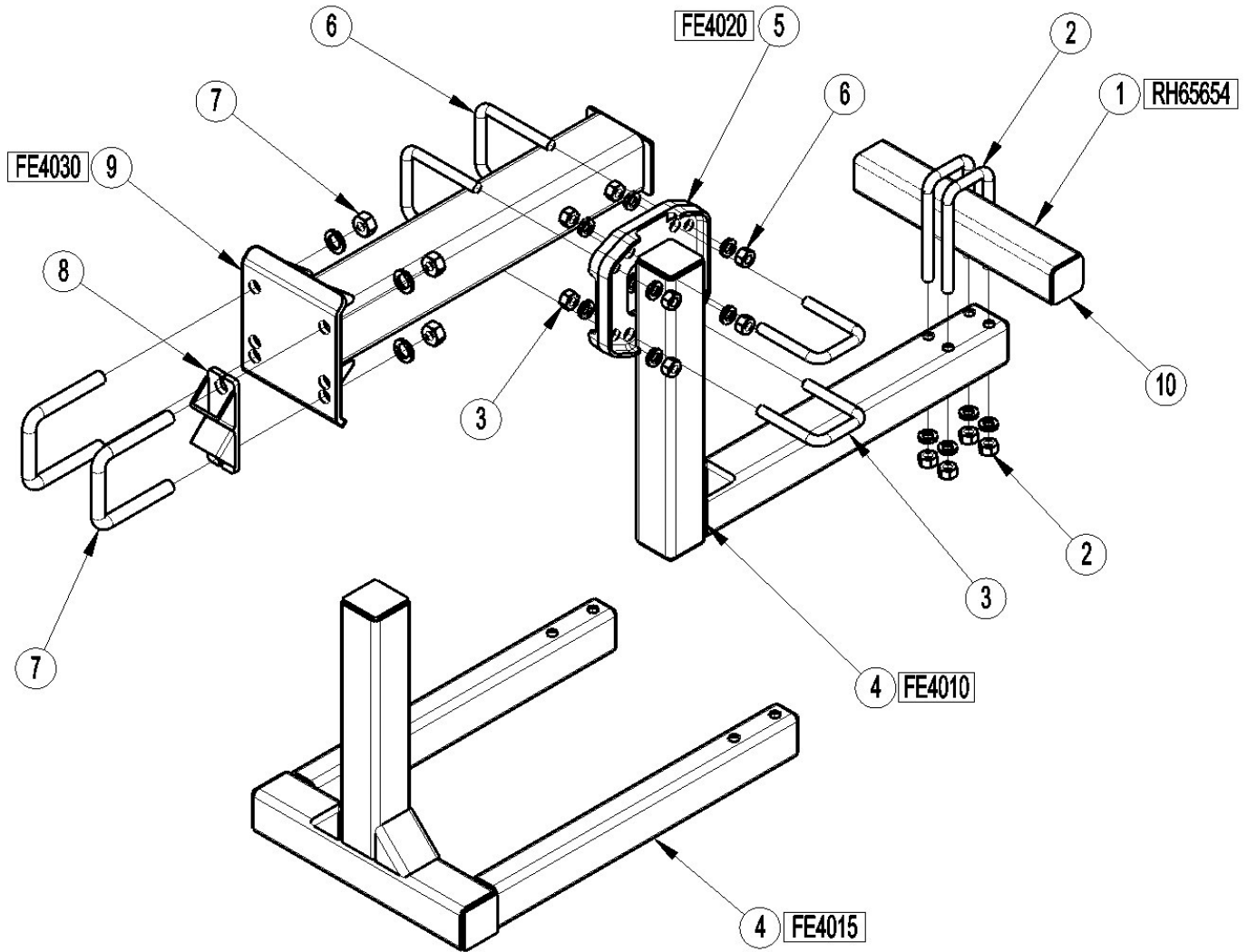
These kits are used when there is a requirement to interchange Presswheels and Harrows into the same tele arm arrangement.



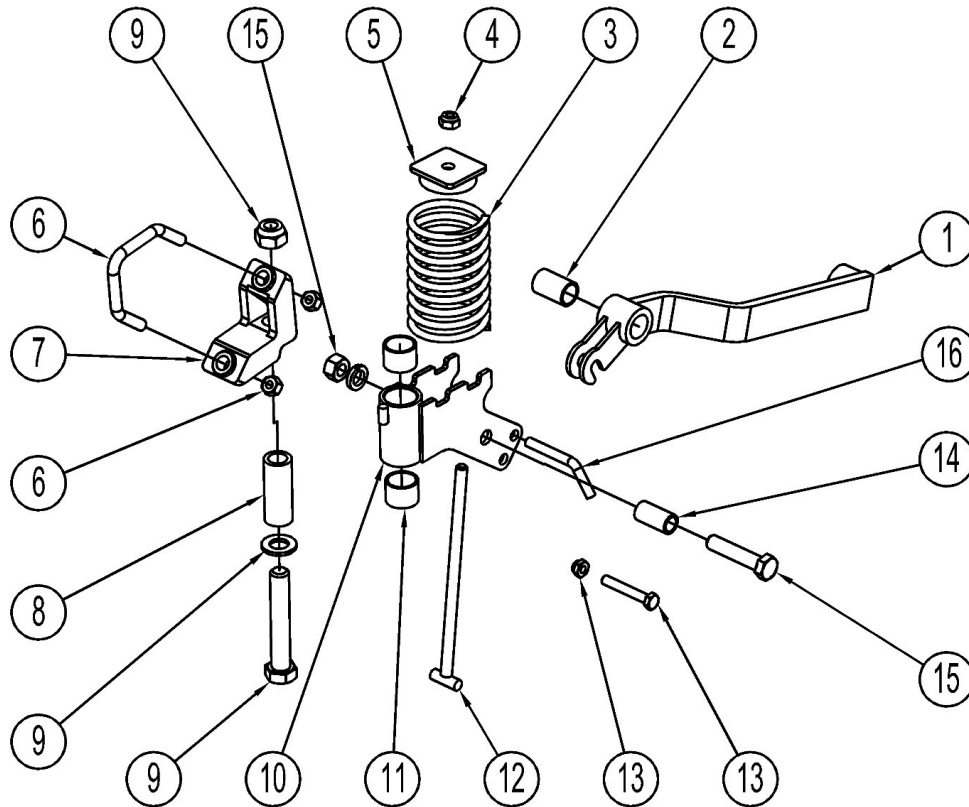
| | | | Exc | Inc |
|---------|--|--|----------------------|-----------------------|
| TPO04 | Telescopic Arm Presswheel Extension & Outrigger, 100 x 100 frame | | \$1500.00 | \$1650.00 |
| TPO05 | Telescopic Arm Presswheel Extension & Outrigger, 75 x 75 frame | | \$1500.00 | \$1650.00 |
| TPO08 | Telescopic Arm Presswheel Extension & Outrigger, 75 x 75 diamond frame | | \$1500.00 | \$1650.00 |
| FEL4015 | Double Outrigger for existing FE4030 or Harrow Tele Arm (see diagram pg54) (If using FEL4015 on Harrow Tele Arm also buy HS3050 x 1, PI8L x 2) Per set HSP3050 | | \$480.00 \$ 22.00 | \$ 528.00 \$ 24.20 |

PRESSWHEEL COMPONENTS

Fixed Extensions



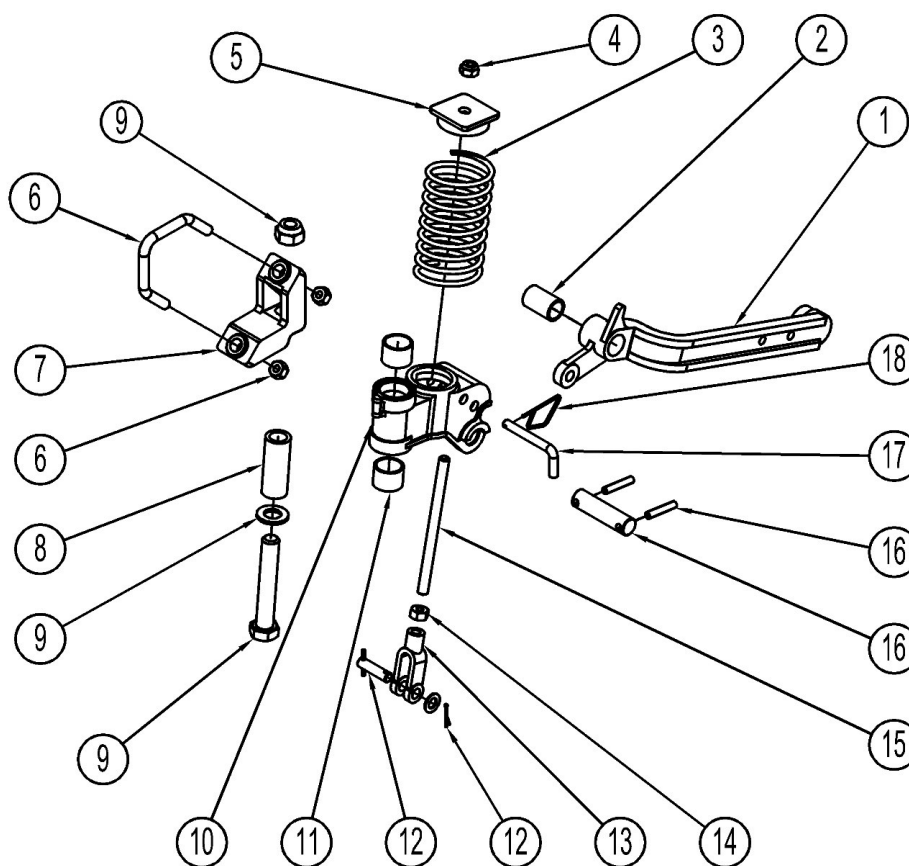
| Ref | Part No. | Description | Qty | Remarks | Exc | Inc |
|-----|----------|------------------------------|-----|---|--------------|--------------|
| 1 | RH65654 | RHS 65 mm x 65 mm x 4 mm | AR | length to suit | \$ 45.00/mtr | \$ 49.50/mtr |
| 2 | UBN4002 | U Bolt – M16, Nuts & Washers | 2 | 166mm x 67mm ID | \$ 20.00 | \$ 22.00 |
| 3 | UBN4003 | U Bolt – M16, Nuts & Washers | 2 | 105mm x 77mm ID | \$ 15.00 | \$ 16.50 |
| 4 | FE4010 | L Frame | 1 | | \$170.00 | \$187.00 |
| or | FE4015 | Double L Frame | 1 | refer page 56 for details | \$340.00 | \$374.00 |
| 5 | FE4020 | Clamp plate | 1 | | \$ 40.00 | \$ 44.00 |
| 6 | UBN3002 | U Bolt – M16, Nuts & Washers | 2 | | \$ 20.00 | \$ 22.00 |
| 7 | UBN3004 | UBolt - M20, Nuts & Washers | 2 | for 100 mm Square RHS | \$ 25.00 | \$ 27.50 |
| | UBN3005 | UBolt – M20, Nuts & Washers | 2 | for 75mm Square RHS | \$ 25.00 | \$ 27.50 |
| | VBN3006 | UBolt – M20, Nuts & Washers | 2 | for RHS set on diagonal | \$ 25.00 | \$ 27.50 |
| 8 | HS3080 | Clamp Plate | 2 | for RHS set on diagonal | \$ 20.00 | \$ 22.00 |
| 9 | FE4030 | Extension | 1 | | \$270.00 | \$297.00 |
| 10 | CA65 | Cap – 65mm Square Insert | 2 | to cap ends of Item 1 | \$ 10.00 | \$ 11.00 |



Note: This is for Presswheels up to 2002. This model has no seal. For 2003 onwards see following pages.

| Ref | Part No. | Description | Qty | Remarks | Exc | Inc |
|-----|-----------|------------------------------------|-----|----------------------------------|---------|---------|
| 1 | PW4270 | Jump Arm 2002 | 1 | Obsolete | | |
| 2 | PW4276 | Presswheel Jump Arm Bush 2002/03 | 1 | | \$ 5.00 | \$ 5.50 |
| 3 | SP4011 | Spring 165 x 80 | 1 | | \$20.00 | \$22.00 |
| | SP4012 | Optional Inner Spring 144 x 60 | 1 | | \$15.00 | \$16.50 |
| 4 | NU12MNY | Nylock Nut – M12 | 1 | | \$ 0.40 | \$ 0.44 |
| 5 | PW4580 | Spring Cap | 1 | | \$ 7.00 | \$ 7.70 |
| 6 | VBN4001 | V Bolt M12 90x100ctr, Nut & Washer | 1 | | \$ 5.00 | \$ 5.50 |
| 7 | PW4255 | Pivot Mount 2002/03 | 1 | Obsolete but Upgradeable (PWU45) | | |
| 8 | PW4265 | Track Pivot Spacer 77 x 30 2002/03 | 1 | | \$ 5.00 | \$ 5.50 |
| 9 | BNW20M120 | Bolt – M20 x 120, Nut, Washer | 1 | | \$10.00 | \$11.00 |
| 10 | PW4260 | Track Pivot 2002 | 1 | Obsolete | | |
| 11 | PW4266 | Track Pivot Bush 25 x 35 2002/03 | 2 | | \$ 5.00 | \$ 5.50 |
| 12 | PW4267 | T Bolt M12 x 250 | 1 | Obsolete | | |
| 13 | BON10M65 | Bolt – M10 x 65, Nut | 1 | Not stocked by Agmaster | | |
| 14 | PW4275 | Jump Arm Spacer 42 x 22 2002/03 | 1 | | \$ 3.00 | \$ 3.30 |
| 15 | BNW16M90 | Bolt – M16 x 90, Nut, Washer | 1 | | \$ 5.50 | \$ 6.05 |
| 16 | PW4590 | Locking Pin | 1 | | \$ 5.00 | \$ 5.50 |
| | PI3MIN | R Clip – B9 or Min clip | 1 | | \$ 1.20 | \$ 1.32 |
| | PWU45 | Mount Upgrade PW4255 to PW4450 | 1 | Includes Sleeve/Bolt | \$62.00 | \$68.20 |

See diagram [page 65](#)



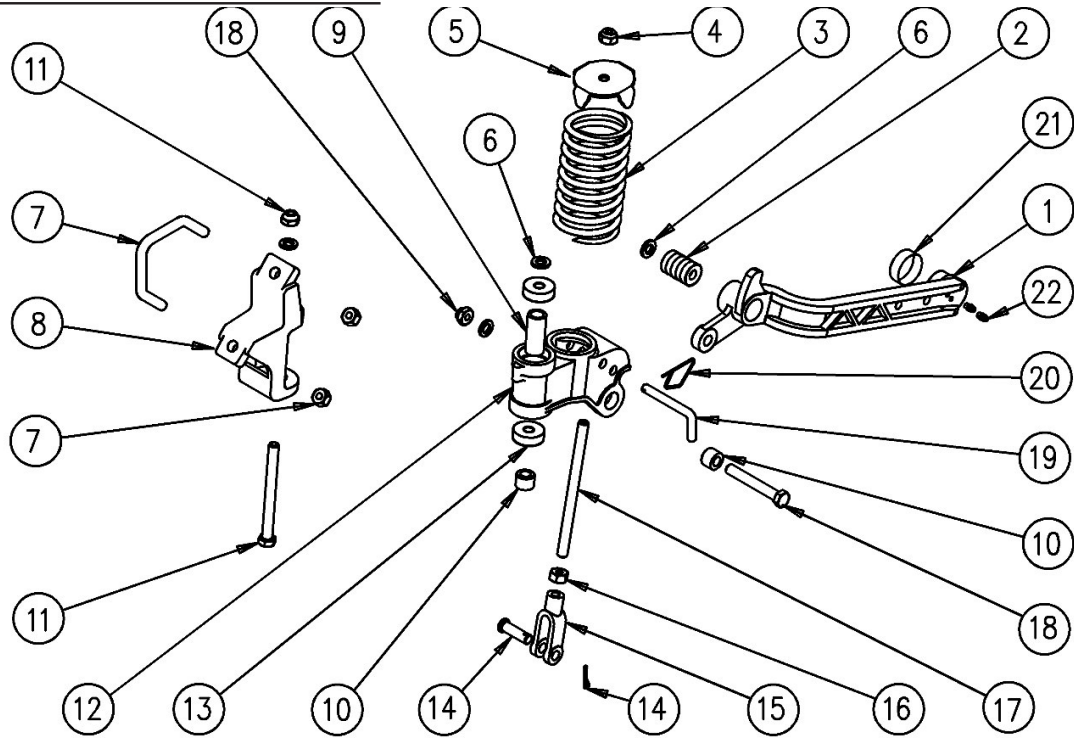
Note: This is for 2003 Model Presswheels. For 2004 model onwards see next page.

| Ref | Part No. | Description | Qty | Remarks | Exc | Inc |
|-----|-----------|--------------------------------------|-----|---|---------|---------|
| 1 | PW4290 | Jump Arm 2003 (takes seal SE36PR518) | 1 | Includes 1, 2 | \$80.00 | \$88.00 |
| 2 | PW4276 | Jump Arm Bush 41 x 27 2002/03 | 1 | | \$ 5.00 | \$ 5.50 |
| 3 | SP4011 | Spring 165 x 80 | 1 | | \$20.00 | \$22.00 |
| | SP4012 | Optional Inner Spring 144 x 60 | 1 | | \$15.00 | \$16.50 |
| 4 | NU12MNY | Nylock Nut – M12 | 1 | | \$ 0.40 | \$ 0.44 |
| 5 | PW4580 | Spring Cap | 1 | | \$ 7.00 | \$ 7.70 |
| 6 | VBN4001 | V Bolt M12 90x 100ctr, Nut & Washer | 1 | | \$ 5.00 | \$ 5.50 |
| 7 | PW4255 | Pivot Mount | 1 | Obsolete but upgradeable (PWU45) | | |
| 8 | PW4265 | Track Pivot Spacer 77 x 30 2002/03 | 1 | | \$ 5.00 | \$ 5.50 |
| 9 | BNW20M120 | Bolt – M20 x 120, Nut, Washer | 1 | | \$10.00 | \$11.00 |
| 10 | PW4280 | Track Pivot 2003 | 1 | Includes 2 x Item 11 Obsolete when stock exhausted | \$70.00 | \$77.00 |
| 11 | PW4266 | Track Pivot Bush 25 x 35 2002/03 | 2 | | \$ 5.00 | \$ 5.50 |
| 12 | PWS57 | Clevis Pin, Split Pin | 1 | | \$ 2.00 | \$ 2.20 |
| 13 | PW4560 | Clevis Yoke | 1 | | \$20.00 | \$22.00 |
| 14 | NU12MZP | Nut M12 | 1 | | \$ 0.30 | \$ 0.33 |
| 15 | PW4550 | Pressure Rod – M12 | 1 | | \$ 8.00 | \$ 8.80 |
| 16 | PWR4285 | Jump Arm Pin 85 x 22 2003 | 1 | Includes Roll Pins | \$ 6.00 | \$ 6.60 |
| 17 | PW4590 | Locking Pin | 1 | | \$ 5.00 | \$ 5.50 |
| 18 | PI3MIN | R Clip – B9 or Min clip | 1 | | \$ 1.20 | \$ 1.32 |
| | PWU45 | Mount Upgrade PW4255 to PW4450 | 1 | Includes Sleeve/Bolt | \$62.00 | \$68.20 |

See diagram [page 65](#)

PRESSWHEEL MODULE - CURRENT

2004 ONWARDS WITH BEARING TYPE PIVOTS

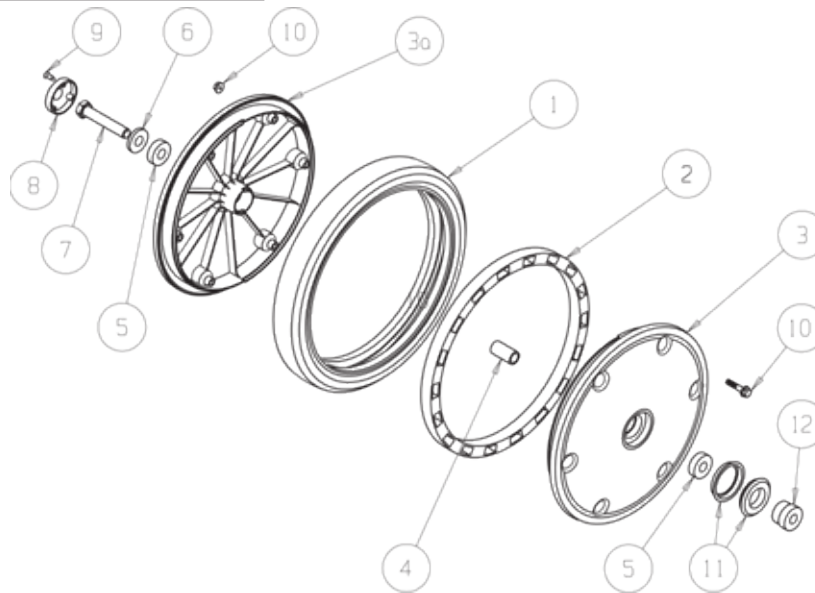


Note: This is 2004 - current model. See previous pages for earlier model parts.

| Ref | Part No. | Description | Qty | Remarks | Exc | Inc |
|-----|------------------------|---|-------------|--|----------------------------------|----------------------------------|
| 1 | PW4420 or PW4405 | Current Jump Arm 2005- Onwards w Bearings (doesn't suit Emu Tracker) Jump Arm 2004 Only Model with Bearings & Sleeve | 1 | Incl 1, 2, 22. Takes seal SE36P6641 | \$ 90.00 | \$ 99.00 |
| 2 | BE1228 | Bearing (6001-2RS) | 5 | | \$ 2.00 | \$ 2.20 |
| 3 | SP4011 SP4012 | Spring 165 x 80 Optional Inner Spring 144 x 60 | 1 1 | | \$ 20.00 \$ 15.00 | \$ 22.00 \$ 16.50 |
| 4 | NU12MNY | Nylock Nut – M12 | 3 | | \$ 0.40 | \$ 0.44 |
| 5 | PW4580 | Spring Cap | 1 | | \$ 7.00 | \$ 7.70 |
| 6 | PW4460 | Mount/Arm Washer 3 x 22 | 2 | | \$ 0.80 | \$ 0.88 |
| 7 | VBN4001 | V Bolt M12, Nut & Washer | 1 | | \$ 5.00 | \$ 5.50 |
| 8 | PW4450 | Pivot Mount 2004 | 1 | | \$ 50.00 | \$ 55.00 |
| 9 | PW4480 | Track Pivot Bearing Spacer | 1 | | \$ 4.00 | \$ 4.40 |
| 10 | PW4470 | Mount/Arm Spacer 15 x 22 | 2 | | \$ 1.20 | \$ 1.32 |
| 11 | BNW12M130 | Bolt – M12 x 130, Nut & Washer | 1 | | \$ 3.50 | \$ 3.85 |
| 12 | PW4500 | Track Pivot with Bearings & Spacer | 1 | Includes 9, 12, 13 | \$ 70.00 | \$ 77.00 |
| 13 | BE1237 | Bearing (6301-2RS) | 2 | | \$ 3.00 | \$ 3.30 |
| 14 | PWS57 | Clevis Pin, Split Pin | 1 | | \$ 2.00 | \$ 2.20 |
| 15 | PW4560 | Clevis Yoke | 1 | | \$ 20.00 | \$ 22.00 |
| 16 | NU12MZP | Nut M12 | 1 | | \$ 0.30 | \$ 0.33 |
| 17 | PW4550 | Rod – M12 | 1 | | \$ 8.00 | \$ 8.80 |
| 18 | BNW12M85 | Bolt – M12 x 85, Nut & Washer | 1 | | \$ 3.00 | \$ 3.30 |
| 19 | PW4590 | Locking Pin | 1 | | \$ 5.00 | \$ 5.50 |
| 20 | PI3MIN | R Clip – B9 or Min clip | 1 | | \$ 1.20 | \$ 1.32 |
| 21 | PW4415 | Seal Wear Sleeve | 1 | 2004 Model only | \$ 5.00 | \$ 5.50 |
| 22 | GN6 PWS55 PW4000 | Grease Nipple 6mm Stainless Spring kit Presswheel Assembly – No Wheel | 2 1 1 | 2011 onwards Model only Includes 3, 4, 5, 14, 15, 16,17 Not incl #7 and all items on P62 | \$ 0.50 \$ 57.00 \$ 280.00 | \$ 0.55 \$ 62.70 \$ 308.00 |

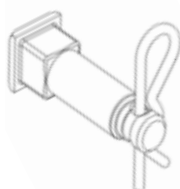
Use one of our online building tools for Seeding Kits and Presswheels to help you with specific part numbers, calculations and prices.

WHEELS, PARTS, RIMS & SEALS



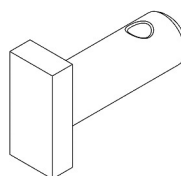
| Ref | Part No. | Description | Qty | Remarks | Exc | Inc |
|---|-------------------|-----------------------------------|---------|---|-----------------|-----------------|
| 1 | PW4300 | Tyre – 100mm ‘W’ | 1 | Includes Item 2 | \$115.00 | \$126.50 |
| | PW4310 | Tyre – 70 mm V | 1 | Includes Item 2 | \$ 95.00 | \$104.50 |
| | PW4320 | Tyre – 95 mm V | 1 | Includes Item 2 | \$ 95.00 | \$104.50 |
| | PW4330 | Tyre – 50 mm flat | 1 | Includes Item 2 | \$ 95.00 | \$104.50 |
| 2 | PW4370 | Spacer Ring | 1 | | \$ 10.00 | \$ 11.00 |
| 3 | PW4350 | Rim Half – Seal Side with bearing | 1 | This half has steel ring in it | \$ 40.00 | \$ 44.00 |
| 3a | PW4360 | Rim Half – Cap Side with bearing | 1 | | \$ 30.00 | \$ 33.00 |
| 4 | PW4380 | Bearing Spacer | 1 | | \$ 4.00 | \$ 4.40 |
| 5 | BE1740 | Bearing (6203-2RS) | 2 | | \$ 4.00 | \$ 4.40 |
| 6 | WA16L | Washer M16 Lock Ribbed | 1 | | \$ 1.00 | \$ 1.10 |
| 7 | BO16M90 | Bolt – M16 x 90 w grease notch | 1 | Secures Wheel to Arm | \$ 5.00 | \$ 5.50 |
| | BO16M120 | Bolt – M16 x 120 w grease notch | 1 | Secures Wheel to Arm (w spacer) | \$ 5.00 | \$ 5.50 |
| 8 | PW4390 | Cap | 1 | From 2003 – Takes 3 x SC825 | \$ 5.00 | \$ 5.50 |
| | PW4251 | Cap – Grey | 1 | Knock in type for 2002 model | \$ 5.00 | \$ 5.50 |
| 9 | SC825 | Self tapping Screw | 3 | 8 gauge x 25mm countersunk | \$ 0.20 | \$ 0.22 |
| 10 | BON8M35F | Bolt 8M x 35 Flanged, Nut | 6 | | \$ 1.00 | \$ 1.10 |
| | | | per rim | | | |
| 11 | SE36P6641 | Seal P6641 & Ring | 1 | Current 2005 onwards–use on PW4420 arm | \$ 6.00 | \$ 6.60 |
| | or | | | | | |
| | SE36PR6518 | Seal TC1.437 | 1 | 2003/04 model– use on PW4290/PW4405 arm | \$ 5.00 | \$ 5.50 |
| <i>Please note SE36PR5618 is a very uncommon seal, please check with Agmaster before ordering if not sure</i> | | | | | | |
| 12 | PW4440 | 30 mm Clearance Spacer -optional | 1 | To increase clearance between tyre & arm for mud shedding | \$ 20.00 | \$ 22.00 |
| | BO16M120 | Bolt M16 x 120 w grease notch | 1 | Required with above spacer PW4440 in place of BO16M90 | \$ 5.00 | \$ 5.50 |
| | PW4200 | 100 mm ‘W’ wheel assembly | 1 | Above Assembly Minus 6, 7, 8, 9 | \$200.00 | \$220.00 |
| | PW4210 | 70 mm V wheel assembly | 1 | Above Assembly Minus 6, 7, 8, 9 | \$180.00 | \$198.00 |
| | PW4220 | 95 mm V wheel assembly | 1 | Above Assembly Minus 6, 7, 8, 9 | \$180.00 | \$198.00 |
| | PW4230 | 50 mm flat wheel assembly | 1 | Above Assembly Minus 6, 7, 8, 9 | \$180.00 | \$198.00 |

FASTENERS



Pin & R Clip

Fit Adjusta-Point on NT19 Series and Multi-Boot Module on Morris Quantum, Contour 2 & Bourgault Paralink



T Pin & Split Pin

Fit series NT07, NT09, NT11 points & Sweep Adaptors



PINS

| | | Exc | Inc |
|----------------|---|---------|---------|
| PIR41 | 12mm Pin 41mm Square & R Clip for Adjusta-Point Holder HL5610 | \$ 2.20 | \$ 2.42 |
| PIS41 | 12mm Pin 41mm Square & 3mm Split Pin for Adjusta-Point Holder HL5610 | \$ 2.00 | \$ 2.20 |
| PIR45 | 12mm Pin 45mm Cuphead & R Clip for Adjusta-Point Holder HL5600 | \$ 2.20 | \$ 2.42 |
| PIR45 | 12mm Pin 45mm Cuphead & 3mm Split Pin for Adjusta-Point Holder HL5600 | \$ 2.00 | \$ 2.20 |
| PI12A41 | Pin 12mm x 41mm Square for Adjusta-Point Holder HL5610 2021 - Current | \$ 1.90 | \$ 2.09 |
| PI12A45 | Pin 12mm x 45mm Cuphead for Adjusta-Point Holder HL5600 2018-2020 | \$ 1.90 | \$ 2.09 |
| PI432R | R-Clip 43 x 2.5 for PI124XA | \$ 0.40 | \$ 0.44 |
| TSP | 'T' Pin 10mm + Pin Split 4 x 25mm | \$ 1.50 | \$ 1.65 |
| TP1180 | Pin 'T' Diameter 10mm | \$ 1.40 | \$ 1.54 |
| PI425S | Pin Split 4 x 25mm | \$ 0.20 | \$ 0.22 |
| PI325S | Pin Split 3 x 25mm | \$ 0.20 | \$ 0.22 |

BOLTS

| | | | |
|-----------------|--|---------|---------|
| BO6M10S | Bolt M6 x 10 – Pipe Adaptors and some stainless liquid casings | \$ 0.50 | \$ 0.55 |
| BO16M90 | Bolt M16 x 90 Z/P - Presswheel | \$ 5.00 | \$ 5.50 |
| BO16M120 | Bolt M16 x 120 Z/P - Presswheel | \$ 5.00 | \$ 5.50 |

Other Bolts not shown are listed under "Bolt and Nut" sets or "Bolt, Nut and Washer" sets

WASHERS

| | | | |
|--------------|--|---------|---------|
| WA16L | Washer M16 Lock Ribbed Zinc - Presswheel | \$ 1.00 | \$ 1.10 |
|--------------|--|---------|---------|

Other Washers not shown are listed under "Bolts, Nut and Washer" sets

BOLTS & NUTS (SETS)

| | | | |
|-----------------|--|---------|---------|
| BON6M16S | Bolt M6 x 16 Stainless, Nut – Liquid Kits | \$ 0.70 | \$ 0.77 |
| BON8M35F | Bolt M8 x 35 Flanged, Nut – Stars, Harrows | \$ 1.00 | \$ 1.10 |

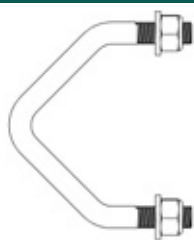
Other Bolts & Nuts not shown are listed under "Bolt, Nut and Washer" sets

BOLTS, NUT & WASHERS (SETS)

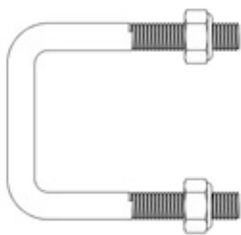
| | | | |
|------------------|---|---------|---------|
| BNW12112 | Bolt ½" UNF x 1½", Conelock Nut & Washer | \$ 3.00 | \$ 3.30 |
| BNW12134 | Bolt ½" UNF x 1¾", Conelock Nut & Washer | \$ 3.00 | \$ 3.30 |
| BNW122 | Bolt ½" UNF x 2", Conelock Nut & 2 x Washers | \$ 3.00 | \$ 3.30 |
| BNW12212 | Bolt ½" UNF x 2½", Conelock Nut & Washer | \$ 3.00 | \$ 3.30 |
| BNW12214 | Bolt ½ UNF x 2¼", Conelock Nut & Washer | \$ 3.00 | \$ 3.30 |
| BNW12234 | Bolt ½" UNF x 2¾" Conelock Nut & Washer | \$ 3.00 | \$ 3.30 |
| BNW123 | Bolt ½ UNF x 3", Conelock Nut & Washer | \$ 3.00 | \$ 3.30 |
| BNW12312 | Bolt ½" UNF x 3½", Conelock Nut & Washer | \$ 3.00 | \$ 3.30 |
| BNW7162 | Bolt 7/16 x 2", Conelock Nut & Washer | \$ 3.00 | \$ 3.30 |
| BNW716212 | Bolt 7/16 UNF x 2½", Conelock Nut & Washer | \$ 3.00 | \$ 3.30 |
| BNW716234 | Bolt 7/16 UNF x 2¾", Conelock Nut & Washer | \$ 3.00 | \$ 3.30 |
| BNW12M40 | Bolt M12 x 40, Nut & Washer | \$ 2.00 | \$ 2.20 |
| BNW12M55 | Bolt M12 x 55, Nut & Washer | \$ 2.00 | \$ 2.20 |
| BNW12M85 | Bolt M12 x 85 Z/P, Nut & Washer | \$ 3.00 | \$ 3.30 |
| BNW12M130 | Bolt M12 x 130, Nut & Washer | \$ 3.50 | \$ 3.85 |
| BNW16M40 | Bolt M16 x 40, Nut & Spring Washer | \$ 4.00 | \$ 4.40 |
| BNW16M55 | Bolt M16 x 55, Conelock Nut & Washer | \$ 4.00 | \$ 4.40 |
| BNW20M60 | Bolt M20 x 60, Nut, Spring Washer & Flat Washer | \$ 6.00 | \$ 6.60 |
| BNW20M120 | Bolt M20 x 120, Nut & Spring Washer | \$10.00 | \$11.00 |
| BNW20M150 | Bolt M20 x 150, Nut & Spring Washer | \$12.00 | \$13.20 |
| BNW20M170 | Bolt M20 x 170, Nut & Spring Washer | \$15.00 | \$16.50 |

Use one of our online building tools for Seeding Kits and Presswheels to help you with specific part numbers, calculations and prices.

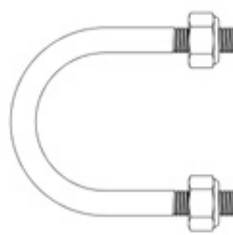
U - BOLTS & V - BOLTS



VBN4001
VBN3006



UBN1003 – UBN2002
UBN3001 – UBN4003*



UBN2007



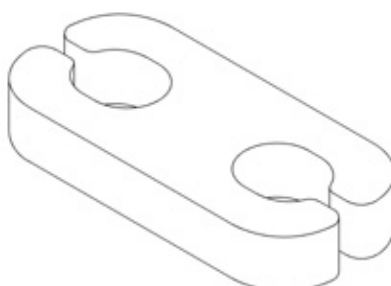
UBN2003 - UBN2004

U BOLTS, NUTS & WASHERS (SETS)

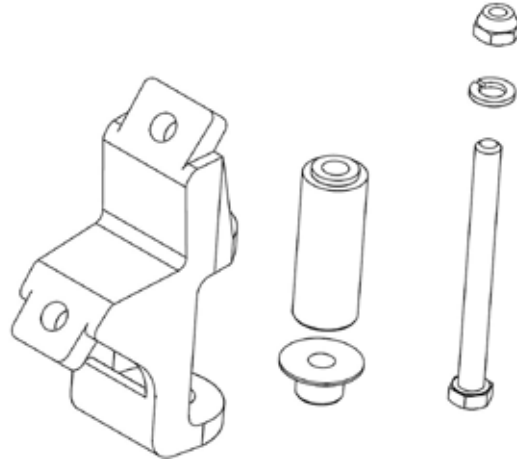
| | | Exc | | Inc |
|----------------|--|------------|--|------------|
| UBN1003 | U Bolt M10,75 x 52, Nylock Nuts - Trashguards | \$ 5.00 | | \$ 5.50 |
| UBN1004 | U Bolt M10, 110 x 30, Nylock Nuts - Trashguards | \$ 5.00 | | \$ 5.50 |
| UBN2001 | U Bolt M12, 65 x 52, Nylock Nuts & Washers – NT11 Brackets | \$ 5.00 | | \$ 5.50 |
| UBN2002 | U Bolt M12, 85 x 30, Nylock Nuts & Washers – NT11 Brackets | \$ 5.00 | | \$ 5.50 |
| UBN2003 | U Bolt M12, 110 x 25, Nylock Nuts – NT08 Boot Brackets | \$ 5.00 | | \$ 5.50 |
| UBN2004 | U Bolt M12, 90 x 25, Nylock Nuts – NT08 Boot Brackets | \$ 5.00 | | \$ 5.50 |
| UBN5611 | U-Bolt M12, 80 x 52, Nylock Nuts – Adjusta-Point w Multi Boot & NT19 | \$ 5.00 | | \$ 5.50 |
| UBN5612 | U-Bolt M12, 90 x 52, Nylock Nuts – Adjusta-Point w NT11 Seeker Boot | \$ 5.00 | | \$ 5.50 |
| UBN5613 | U-Bolt M12, 80 x 52 Bent, Nylock Nuts – Adjusta-Point w NT11 Boots | \$ 5.00 | | \$ 5.50 |
| UBN2007 | U Bolt M10, 77 x 55, Nylock Nuts & Washers – Flexi Boot | \$ 5.00 | | \$ 5.50 |
| UBN3001 | U Bolt M20, 290 x 105, Nylock Nuts & Washers - Harrows | \$35.00 | | \$38.50 |
| UBN3002 | U Bolt M16, 130 x 102, Nuts & Washers – Harrows/Presswheels | \$20.00 | | \$22.00 |
| UBN3003 | U Bolt M16, 80 x 52, Nuts & Washers - Harrows | \$15.00 | | \$16.50 |
| UBN3004 | U Bolt M20 135 x 102, Nuts & Washers – Harrows/Presswheels <i>(for 100mm x 100mm)</i> | \$25.00 | | \$27.50 |
| UBN3005 | U Bolt M20 110 x 77, Nuts & Washers – Harrows/Presswheels <i>(for 75mm x 75mm)</i> | \$25.00 | | \$27.50 |
| UBN4002 | U Bolt M16, 166 x 67, Nuts & Washers - Presswheels | \$20.00 | | \$22.00 |
| UBN4003 | U Bolt M16, 105 x 77, Nuts & Washers - Presswheels | \$15.00 | | \$16.50 |
| VBN3006 | U Bolt M20 150 x 122, Nuts & Washers – Harrows/Presswheels <i>(for 75mm x 75mm diamond)</i> | \$25.00 | | \$27.50 |
| VBN4001 | V Bolt M12, 90 x 100 ctr, Nuts & Washers - Presswheels | \$ 5.00 | | \$ 5.50 |

U BOLT BACKING PLATES

| | | | | |
|---------------|--|---------|--|---------|
| UB2005 | M12 x 25mm U-Bolt Backing Plate <i>(Used with UB2003, UB2004 without Boot Assembly)</i> | \$ 4.00 | | \$ 4.40 |
| UB5620 | M12 x 52 U-Bolt Backing Plate <i>(Used with UB5612 on Adjusta-Point Holder w without Boot Assembly or NT11 Seeker Boot)</i> | \$ 5.00 | | \$ 5.50 |
| TG1173 | M10 x 30 U Bolt Backing Plate – used with UB1004 | \$ 5.00 | | \$ 5.50 |
| TG1175 | M10 x 52 U Bolt Backing Plate – used with UB1003 | \$ 5.00 | | \$ 5.50 |



UPGRADES



PWU45

Presswheel Mount Upgrade Pre 2004

Includes yoke style cast mounting, 2 adaptor Bushes and pivot bolt

| Exc | Inc |
|----------|----------|
| \$ 62.00 | \$ 68.20 |

MAINTENANCE TIPS

HARROWS

If tips are showing more wear on one end of the gang loosen the three bolts at the turntable, re-level to suit and re-tighten.

Grease axle bearings weekly – **do not** over grease as seals may pop.

PRESSWHEELS

Pre Season:

- Any pivots and swivels that don't move freely need to be freed up and lubricated or replaced.
- Any bearings or seals that sound noisy or gritty when the wheel turns should be replaced or repacked with grease
- Any damaged seals must be replaced
- If fitting a new seal a smear of grease in the fins of the seal will help its performance.
- When replacing or re-screwing black hub cap, a smear of grease against the contact surface will assist in sealing

Post Season:

- If unable to store seeder bar undercover, remove gangs of presswheels at the two UBolts securing mounting bar to outriggers. Storing the presswheels under cover will extend tyre, seal and bearing life

2002-2003 MODEL UPGRADES:

Side swivel upgrades (PWU45) are available if swivel is stiff

2004 MODEL UPGRADES:

Pressure rod clevis pins using split pin instead of circlips (PW4570 and PI425S)

POINTS & CLOSER PLATES

Point Wear:

Points that are scalloping excessively above top piece of tungsten carbide or behind bottom tungsten carbide tip may cause end of point to break off before tip has reach it's useful life. Hardface weld can be applied in these regions to extend point life.

Weld on Knives (PT1930 & PT1940):

When rebuilding a point cut the excess off the old point and leave a 3mm gap for penetration to weld knife. MIG weld or general purpose ARC welding rods can be used. Excess weld can be left as this area works out of the ground.

It is not recommended to repair cast points without preheat/post heat

Closers:

Closers should be replaced once either corner has worn to more than 10mm radius. Closers cannot be rebuilt. If welding closers to cast boots use Stainless electrode grade 309.

TIGHTENING TORQUE VALUES

WRENCHING SYSTEM

Not all tensioning devices give the same tension, typical performance of wrenching systems is:

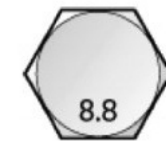
| WRENCH TYPE | TORQUE ACCURACY |
|-------------------------------|-------------------|
| Impact wrench stall type | +/- 50% |
| Impact wrench with torque bar | +/- 20% |
| Hand torque wrench | +/- 2% to +/-25% |
| Air motor stall type | +/- 10% to +/-20% |

It is therefore important that wrenches are calibrated on a regular basis.

Do not use the following values if a different torque is called up for a specific application. The values shown are for clean, lightly oiled, galvanised and zinc plated carbon steel fasteners. Always replace fasteners with the same property class. Torque is based on 65% of proof load.

METRIC COARSE PITCH

| SIZE | CLASS 8.8 | CLASS 10.9 | CLASS 12.9 |
|------|-----------|------------|------------|
| | Nm | Nm | Nm |
| M6 | 9.0 | 13.0 | 15.0 |
| M8 | 22.0 | 32.0 | 37.0 |
| M10 | 44.0 | 63.0 | 73.0 |
| M12 | 77.0 | 109.0 | 128.0 |
| M16 | 190.0 | 270.0 | 316.0 |
| M20 | 372.0 | 528.0 | 620.0 |
| M24 | 640.0 | 914.0 | 1066.0 |



SPECIFIC AGMASTER PARTS:

UB3002

150 Nm (approx 75% of recommended torque)

IMPERIAL

| SIZE | SAE GRADE 5 | | SAE GRADE 8 | |
|------|-------------|--------|-------------|--------|
| | UNC | UNF | UNC | UNF |
| | Ft.lbs | Ft.lbs | Ft.lbs | Ft.lbs |
| 1/4 | 7.0 | 8.0 | 10.0 | 12.0 |
| 5/16 | 15.0 | 17.0 | 21.0 | 23.0 |
| 3/8 | 27.0 | 30.0 | 38.0 | 43.0 |
| 7/16 | 43.0 | 48.0 | 61.0 | 67.0 |
| 1/2 | 66.0 | 74.0 | 92.0 | 104.0 |
| 9/16 | 94.0 | 105.0 | 133.0 | 149.0 |
| 5/8 | 130.0 | 148.0 | 183.0 | 208.0 |
| 3/4 | 231.0 | 258.0 | 326.0 | 364.0 |
| 7/8 | 373.0 | 410.0 | 525.0 | 579.0 |
| 1 | 558.0 | 610.0 | 787.0 | 826.0 |



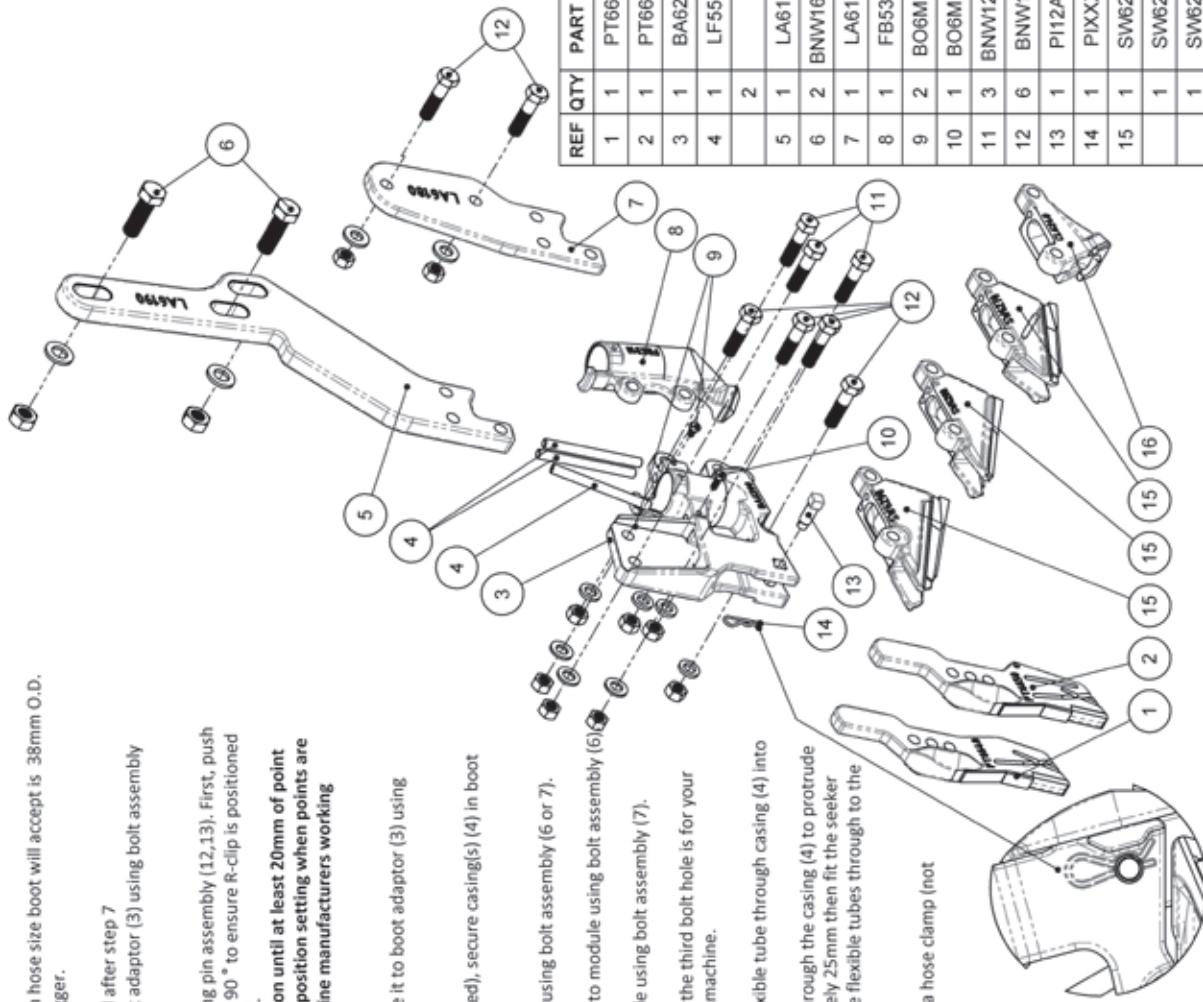
ASSEMBLY INSTRUCTIONS

EMU TRACKER

If you are using EMU TRACKER wheels, please use the following instructions.



1. Before fitting, make sure the EMU TRACKER wheel is positioned in the correct direction to reduce string/twine being pick up by feet when it rolls.
2. The EMU TRACKER wheel fits directly onto existing hub on your machine. Re-use nuts to fasten.



1. Ensure delivery hose fits into boot. Maximum hose size boot will accept is 38mm O.D. Adaption will be necessary if hose O.D. is bigger.
2. If using liquid with seed ignore this step until after step 7. Secure seeker wing/closer (14 or 15) to boot adaptor (3) using bolt assembly (7).
3. Secure point (1 or 2) in boot adaptor (3) using pin assembly (12,13). First, push R-clip over the end of 12mm pin then rotate 90° to ensure R-clip is positioned inside the groove as pictured on **DETAIL "A"**.
WARNING: Do not set point in lowest position until at least 20mm of point depth has worn away. Selecting the lowest position setting when points are new will put the point tip outside the machine manufacturers working envelope and may VOID warranty.
4. If using optional dry fertiliser boot (9), secure it to boot adaptor (3) using bolt assembly (7).
5. If using liquid (either behind point or with seed), secure casing(s) (4) in boot boot adaptor (3) using bolt (11).
6. Mount seeding kit to module mount (5 or 8) using bolt assembly (6 or 7).
For **Bourgault Paralink** mount leg adaptor (5) to module using bolt assembly (6).
For **Morris C2** mount leg adaptor (8) to module using bolt assembly (7).
Please note: if you have a **Bourgault Paralink** the third bolt hole is for your existing u-bolt supplied with the machine.
7. If using liquid fertiliser behind point, feed flexible tube through casing (4) into the black point past the retaining roll pin.
If using liquid with seed, feed flexible tube through the casing (4) to protrude out the bottom of boot adaptor approximately 25mm then fit the seeker wing (14) to the boot adaptor (3) feeding the flexible tubes through to the seed zone. Secure with bolt assembly (10).
8. Delivery hose into boot can be secured with a hose clamp (not supplied) or tek screw/bolt (not supplied).
9. Tighten all bolts (6,7,11).
10. Adjust presswheel to required seed depth.

IMPORTANT NOTE:

The BA6200 Boot Adaptor has not been designed to work below ground level. If you do want to work deeper, you will need to maintain your BA6200 with some hard-face weld to help prevent excessive wear.

DETAIL "A"

RE-TENSION ALL BOLTS AFTER 8hrs WORKING

PROPRIETARY AND CONFIDENTIAL

ALL RIGHTS STRICTLY RESERVED REPRODUCTION OR ISSUE TO THIRD PARTIES IN ANY FORM WHATSOEVER IS NOT PERMITTED WITHOUT WRITTEN AUTHORITY FROM AGMASTER.

| REF | QTY | PART No. | DESCRIPTION |
|-----|-----|----------|---|
| 1 | 1 | PT6640 | STANDARD POINT |
| 2 | 1 | PT6650 | LIQUID POINT |
| 3 | 1 | BA6200 | MODULE BOOT ADAPTOR |
| 4 | 1 | LF5520 | LIQUID CASING TUBE (SUPPLIED WITH PT6050) |
| | 2 | | (OPTIONAL FOR LIQUID WITH SEED) |
| 5 | 1 | LA6190 | LEG ADAPTOR BOURGAULT |
| 6 | 2 | BNW16M55 | BOLT, M16 x 55mm GR10.9 HEX, WASHER, CONELOCK NUT |
| 7 | 1 | LA6180 | LEG ADAPTOR MORRIS C2 |
| 8 | 1 | FB5310 | FERTILISER BOOT |
| 9 | 2 | BO6M10S | BOLT, M6 x 10mm HEX |
| 10 | 1 | BO6M16S | BOLT, M6 x 16mm HEX |
| 11 | 3 | BNW12134 | BOLT, 1/2" x 1 3/4" GR8.8, WASHER, CONELOCK NUT |
| 12 | 6 | BNW122 | BOLT, 1/2" x 2" GR8.8, WASHER, CONELOCK NUT |
| 13 | 1 | PI12A41 | PIN, 12mm SQUARE NECK |
| 14 | 1 | PIXXX | R - CLIP OR SPLIT PIN |
| 15 | 1 | SW6290 | MODULE SEEKER WING 95mm |
| | 1 | SW6280 | MODULE SEEKER WING 85mm |
| | 1 | SW6270 | MODULE SEEKER WING 75mm |
| 16 | 1 | CL6240 | MODULE CLOSER 45mm |

ASSY INSTRUCTIONS
MULTI BOOT MODULE for
MORRIS QUANTUM,
C2 & BOURGAULT PARALINK

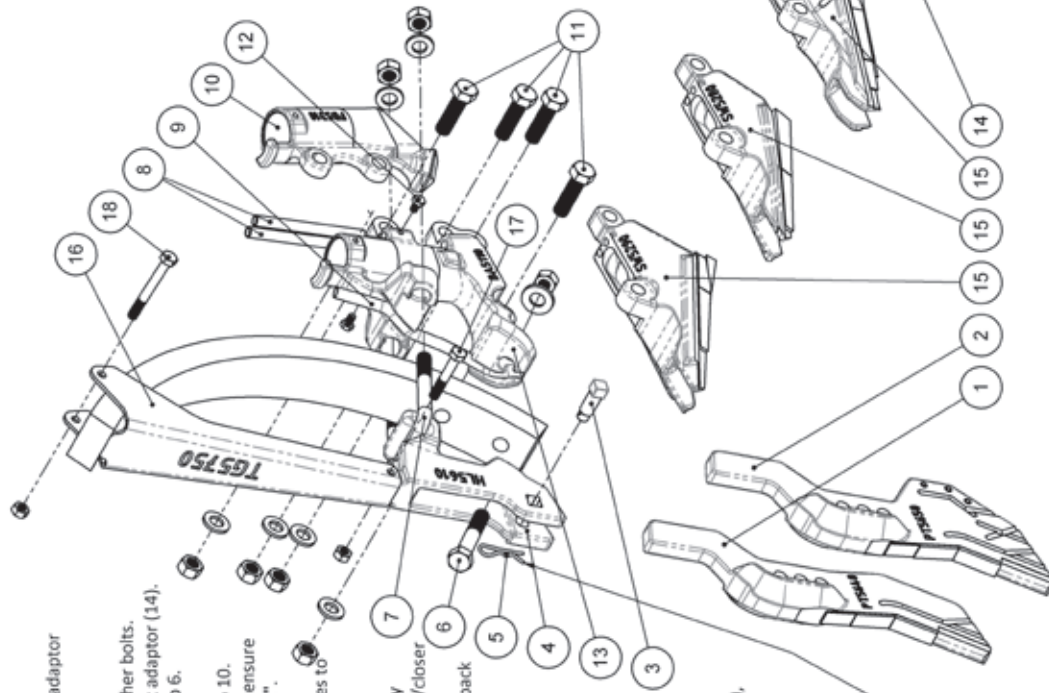
DWG No:
A12030

10 Fargo Way,
Weishpool WA 6106
T: 0893581555
F: 0893581888
www.agmaster.com.au



ASSEMBLY INSTRUCTIONS

| REF | QTY | PART No. | DESCRIPTION |
|-----|-----|---------------|---|
| 1 | 1 | PT5640/PT5660 | ADJUSTABLE STD POINT |
| 2 | 1 | PT5650/PT5670 | ADJUSTABLE LIQUID POINT |
| 3 | 1 | P112A41 | PIN, 12mm SQUARE NECK |
| 4 | 1 | HL5610 | POINT HOLDER |
| 5 | 1 | PIXXXX | R - CLIP OR SPLIT PIN |
| 6 | 1 | BNW122XX | BOLT, 1/2" x 2.3/4" OR 3", WASHER, CONELOCK NUT |
| 7 | 1 | UBN5611 | U-BOLT, M12 80x84, WASHER, NYLOC NUT |
| 8 | 2 | LF5520 | LIQUID WITH SEE CASING TUBE |
| 9 | 1 | LF5420/LF5530 | LIQUID FERTILISER TUBE CASING TUBE |
| 10 | 1 | FB5310 | DRY FERTILISER BOOT |
| 11 | 4 | BNW122 | BOLT, 1/2" x 2", WASHER, CONELOCK NUT |
| 12 | 2 | BO6M10S | BOLT, M6 x 10mm HEX |
| 13 | 1 | BA5110/BA5120 | BOOT ADAPTOR |
| 14 | 1 | CL5240 | CLOSER 45mm |
| 15 | 1 | SW5270 | SEEKER WING 75mm |
| | 1 | SW5280 | SEEKER WING 85mm |
| | 1 | SW5290 | SEEKER WING 95mm |
| 16 | 1 | TG5750 | TRASH GUARD |
| 17 | 1 | BON8M45 | BOLT, M8 x 45mm, NYLOC NUT |
| 18 | 1 | BON8M65 | BOLT, M8 x 65mm, NYLOC NUT |



1. Ensure delivery hose fits into boot. Maximum hose size boot will accept is 38mm O.D. Adaption will be necessary if hose O.D. is bigger.
2. Bolt-point holder (4) to tyne using tyne bolt assembly (6). DO NOT TIGHTEN. If using liquid fertiliser to the back of point, lay casing LF5420 (9) into grooves at front of boot adaptor BA5110 (14) This tube can be curved to tyne shape later to prevent any fouling.
3. Use U bolt assembly (7) to secure point holder, tyne and boot adaptor (13). DO NOT TIGHTEN.
4. Align all parts to tyne and tighten u-bolt first, followed by all other bolts. If using liquid with seed, slide casing tube LF5520 (8) into boot adaptor (14). Fit loosely with M6 bolt BUT DO NOT TIGHTEN until after Step 6.
5. Secure point (1) into holder with pin (3) and R clip (5) until Step 10. First, push R-clip over the end of 12mm pin then rotate 90° to ensure R-clip is positioned inside the groove as pictured on **DETAIL "A"**.
6. Feed any flexible liquid with the seed tubes through casing tubes to protrude approximately 25mm.
7. Fit seeker wings/closer (14,15) to boot adaptor (13) feeding any flexible liquid tubes through outlets to seed zone. Secure wing/closer (14,15) to boot adaptor (13) using bolt assembly (11). Feed any flex liquid fertiliser tubes through casing (9) into the back of point to desired depth.
8. If using optional dry fertiliser boot FB5310 (10), secure to boot adaptor (13) with bolt assembly (11).
9. Delivery hose into boot can be secured with a hose clamp (not supplied) or tek screw/bolt (not supplied).
10. Tighten all remaining bolts.
11. If fitting optional trashguards; Fit bolt (17) through guard (16), and holder (4). Fit bolt (18) behind tyne at top of trashguard. Do not overtighten(18).

RE-TENSION ALL BOLTS AFTER 8hrs WORKING

DETAIL "A"

10 Fargo Way,
Welshpool WA 6106
T: 0893581555
F: 0893581888
www.agmaster.com.au



ASSY INSTRUCTIONS
MULTI BOOT
C - SHANK

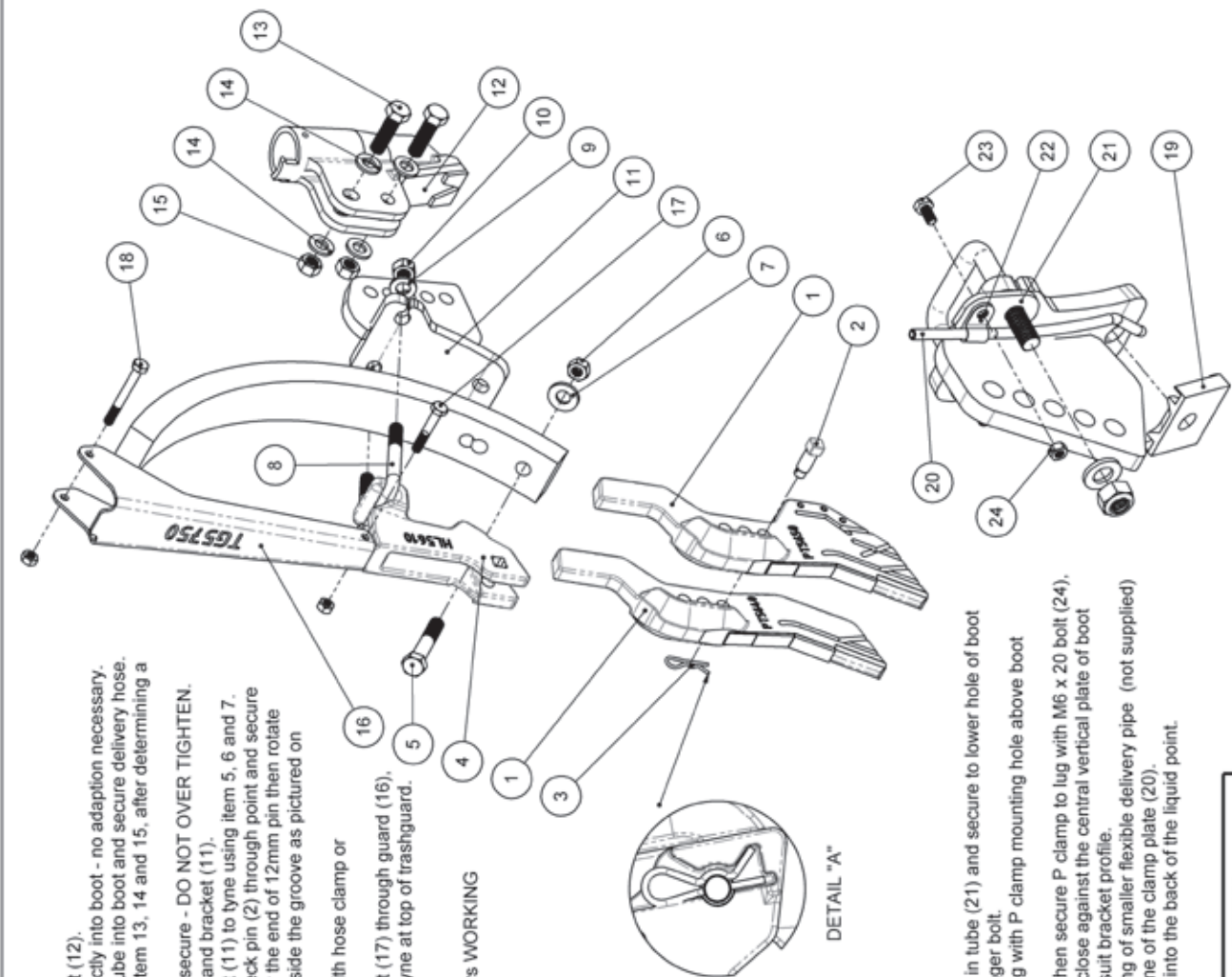
DWG No:
A12040

PROPRIETARY AND CONFIDENTIAL
ALL RIGHTS STRICTLY RESERVED. REPRODUCTION OR ISSUE TO THIRD PARTIES IN ANY FORM WHATSOEVER IS NOT PERMITTED WITHOUT WRITTEN AUTHORITY FROM AGMASTER.

ASSEMBLY INSTRUCTIONS

| REF | QTY | PART No. | DESCRIPTION |
|-----|-----|---------------|----------------------------|
| 1 | 1 | PT5640/PT5660 | ADJUSTABLE STD POINT |
| 1 | 1 | PT5650/PT5670 | ADJUSTABLE LIQUID POINT |
| 2 | 1 | PI12A41 | PIN, 12mm SQUARE NECK |
| 3 | 1 | PI432R | R CLIP |
| 4 | 1 | HL5610 | POINT HOLDER |
| 5 | 1 | BO123 | BOLT, 1/2" x 3" UNF |
| 6 | 1 | BO12212 | BOLT, 1/2" x 2 1/2" UNF |
| 7 | 1 | NU12CL | NUT, 1/2" UNF |
| 7 | 1 | WA12MC | CONICAL WASHER, M12 |
| 8 | 1 | UB5611 | U-BOLT, M12 |
| 9 | 2 | WA12MC | CONICAL WASHER, M12 |
| 10 | 2 | NU12MNY | NUT, M12 NYLOC |
| 11 | 1 | BR5810 | BRACKET, TO SUIT TYNE |
| 12 | 1 | BT25XX | BOOT - TO SUIT APPLICATION |
| 13 | 2 | BO122 | BOLT, 1/2" x 2" UNF |
| 14 | 4 | WA12MC | WASHER, M12 CONICAL |
| 15 | 2 | NU12CL | NUT, 1/2" UNF |
| 16 | 1 | TG5750 | TRASH GUARD |
| 17 | 1 | BON8M45 | BOLT, M8 x 45mm, NYLOC NUT |
| 18 | 2 | BON8M65 | BOLT, M8 x 65mm, NYLOC NUT |

| REF | QTY | PART No. | DESCRIPTION |
|-----|-----|-----------|----------------------|
| 19 | 1 | LF2520 | CLAMP PLATE - DOUBLE |
| 19 | 1 | LF2510/30 | CLAMP PLATE - SINGLE |
| 20 | 1 | LF2570/80 | TUBE - 6mm OR 10mm |
| 21 | 1 | LF2550 | P CLAMP WC |
| 22 | 1 | PC6S | P CLAMP - 6mm |
| 23 | 1 | BO6M20 | BOLT, M6 x 20mm |
| 24 | 1 | NU6MNY | NUT, M6 NYLOC |



POINT AND BOOT

1. Make delivery hose adaption to boot (12).
Delivery hose 32 - 38 OD will fit directly into boot - no adaption necessary.
For 38 ID hose secure 38 OD poly tube into boot and secure delivery hose.
2. Bolt boot (12) to bracket (11) using item 13, 14 and 15, after determining a suitable height.
3. Fit U bolt (8) using item 9 and 10 to secure - DO NOT OVER TIGHTEN.
Tighten nuts (6) securing holder (4) and bracket (11).
4. Loosely point holder (4) and bracket (11) to tyne using item 5, 6 and 7.
5. Fit point (1) into holder, fit square neck pin (2) through point and secure with r clip (3). First, push R-clip over the end of 12mm pin then rotate 90° to ensure R-clip is positioned inside the groove as pictured on **DETAIL "A"**.
6. Secure delivery hose to boot (12) with hose clamp or Tek screw (not supplied).
7. If fitting optional trashguards; Fit bolt (17) through guard (16), and holder (4). Fit bolt (18) behind tyne at top of trashguard.
Do not overtighten (18).

RE-TENSION ALL BOLTS AFTER 8hrs WORKING

LIQUID ATTACHMENT

1. Place clamp plate (20) over S bend in tube (21) and secure to lower hole of boot bracket (11) and tyne using 1/2" longer bolt.
2. Secure P clamp lug (22) to U bolt leg with P clamp mounting hole above boot bracket (11).
3. Fit P clamp (23) over the tube (21) then secure P clamp to lug with M6 x 20 bolt (24), washer and nut. Tube should fit up close against the central vertical plate of boot bracket (11) and can be curved to suit bracket profile.
NOTE: Stainless tube (21) is a casing of smaller flexible delivery pipe (not supplied) and should finish close to the bottom of the clamp plate (20).
The flexible delivery pipe continues into the back of the liquid point.

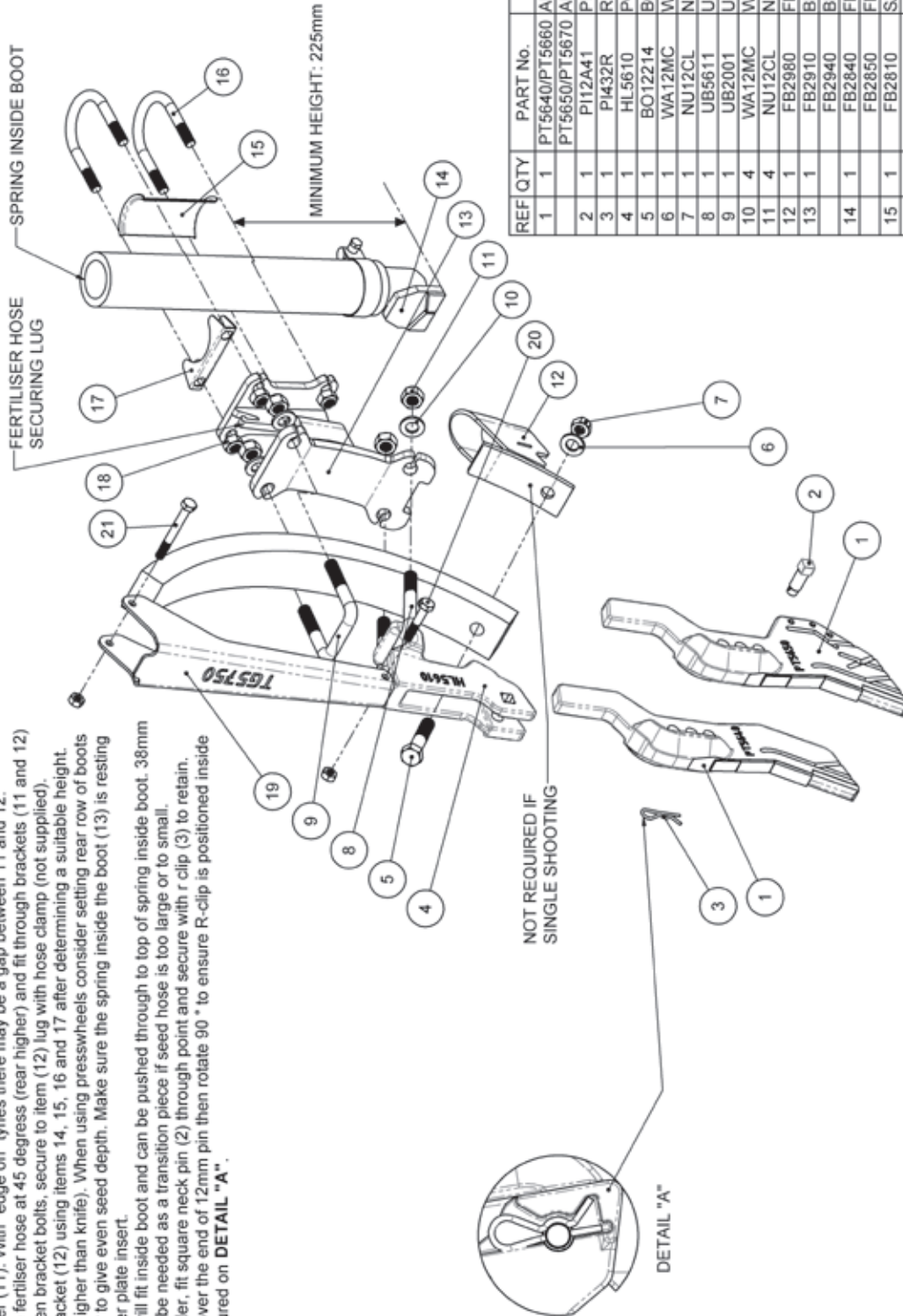
PROPRIETARY AND CONFIDENTIAL
ALL RIGHTS STRICTLY RESERVED REPRODUCTION OR ISSUE TO THIRD PARTIES IN ANY FORM WHATSOEVER IS NOT PERMITTED WITHOUT WRITTEN AUTHORITY FROM AGMASTER.

DWG No: **AI2060**
ASSY INSTRUCTIONS
NT19 POINTS AND BOOTS

AGMASTER
1800 NOTILL
10 Fargo Way,
Weishpool WA 6106
T: 0893581555
F: 0893581888
www.agmaster.com.au

ASSEMBLY INSTRUCTIONS

RE-TENSION ALL BOLTS AFTER 8hrs WORKING



1. Loosely fit holder (4) and fertiliser hose holder (11) to tyne using items 5, 6 and 7.
2. Fit bracket (12) to tyne above item (11) using items 8, 9 and 10. On flat tyne the bracket (12) rests against holder (11). With "edge on" tyne there may be a gap between 11 and 12.
3. Cut the end of the fertiliser hose at 45 degrees (rear higher) and fit through brackets (11 and 12) until end is between bracket bolts, secure to item (12) lug with hose clamp (not supplied).
4. Fit boot (13) to bracket (12) using items 14, 15, 16 and 17 after determining a suitable height. (normally 50mm higher than knife). When using presswheels consider setting rear row of boots 10 to 15mm lower to give even seed depth. Make sure the spring inside the boot (13) is resting on top of the closer plate insert.
5. Most seed hose will fit inside boot and can be pushed through to top of spring inside boot. 38mm OD poly pipe maybe needed as a transition piece if seed hose is too large or too small.
6. Fit point (1) to holder, fit square neck pin (2) through point and secure with r clip (3) to retain. First, push R-clip over the end of 12mm pin then rotate 90° to ensure R-clip is positioned inside the groove as pictured on **DETAIL "A"**.

| REF QTY | PART No. | DESCRIPTION |
|---------|---------------|----------------------------|
| 1 | PT5640/PT5660 | ADJUSTABLE STD POINT |
| 1 | PT5650/PT5670 | ADJUSTABLE LIQUID POINT |
| 2 | PI12A41 | PIN, 12mm SQUARE NECK |
| 3 | PI432R | R CLIP |
| 4 | HL5610 | POINT HOLDER |
| 5 | BO12214 | BOLT, 1/2" UNF x 2 1/4" |
| 6 | WA12MC | WASHER, M12 CONICAL |
| 7 | NU12CL | NUT, 1/2" UNF |
| 8 | UB5611 | U-BOLT, M12 |
| 9 | UB2001 | U-BOLT, M12 |
| 10 | WA12MC | WASHER, M12 CONICAL |
| 11 | NU12CL | NUT, 1/2" UNF |
| 12 | FB2980 | FERTILISER HOSE HOLDER |
| 13 | FB2910 | BRACKET - FLAT ON TYNE |
| 14 | FB2940 | BRACKET - EDGE ON TYNE |
| 14 | FB2840 | FLEXI BOOT - 40mm CLOSER |
| 14 | FB2850 | FLEXI BOOT - 50mm CLOSER |
| 15 | FB2810 | SADDLE |
| 16 | UB2007 | U-BOLT, M10 |
| 17 | FB2820 | CLAMP |
| 18 | NU10MN | NUT, M10 NYLOC |
| 19 | TG5750 | TRASH GUARD |
| 20 | BON8M45 | BOLT, M8 x 45mm, NYLOC NUT |
| 21 | BON8M65 | BOLT, M8 x 65mm, NYLOC NUT |

10 Fargo Way,
Weisnpool WA 6106
T: 0893581555
F: 0893581888
www.agmaster.com.au



ASSY INSTRUCTIONS
FLEXI BOOT AND POINT

DWG No:
AI2070

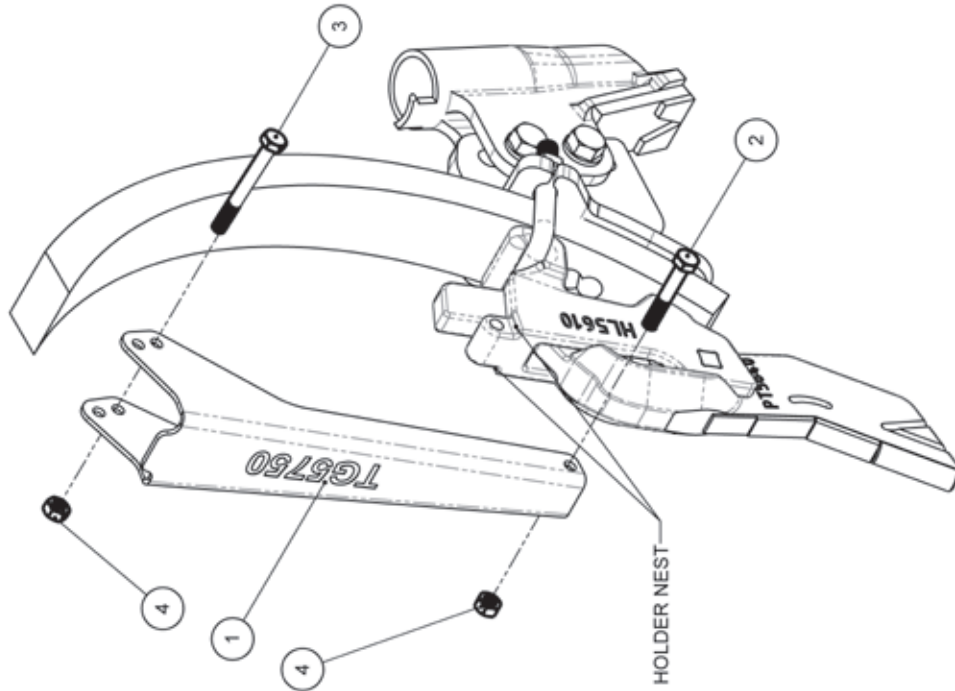
PROPRIETARY AND CONFIDENTIAL

ALL RIGHTS STRICTLY RESERVED REPRODUCTION OR ISSUE TO THIRD PARTIES IN ANY FORM WHATSOEVER IS NOT PERMITTED WITHOUT WRITTEN AUTHORITY FROM AGMASTER.

ASSEMBLY INSTRUCTIONS

RETENSION ALL BOLTS AFTER 8hrs WORKING

1. Fit bolt (2) through bottom hole of trashguard (1) and secure with nut, fit guard (1) to tyne making sure the lower edge is correctly located to the holder nest. Fit bolt (3) through the upper holes of trashguard and secure with nut (4).
2. Top of trashguard can be tapped against tyne to bend trashguard lug to expose closer holes for item (3).



| REF QTY | PART No. | DESCRIPTION |
|---------|----------|------------------------|
| 1 | TG5730 | FOR 50mm WIDE TYNES |
| | TG5750 | FOR 28mm WIDE TYNES |
| 2 | BO8M45 | BOLT, M8 x 45mm, 8.8GR |
| 3 | BO8M65 | BOLT, M8 x 65mm, 8.8GR |
| 4 | NU8MNY | NUT, M8 NYLOCK |

10 Fargo Way,
 Welshpool WA 6106
 T: 0893581555
 F: 0893581888
 www.agmaster.com.au



ASSY INSTRUCTIONS
 TRASH GUARD NT19

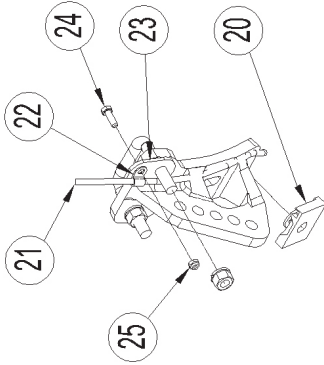
DWG No:
A12050

PROPRIETARY AND CONFIDENTIAL
 ALL RIGHTS STRICTLY RESERVED REPRODUCTION OR ISSUE TO
 THIRD PARTIES IN ANY FORM WHATSOEVER IS NOT PERMITTED
 WITHOUT WRITTEN AUTHORITY FROM AGMASTER.

ASSEMBLY INSTRUCTIONS

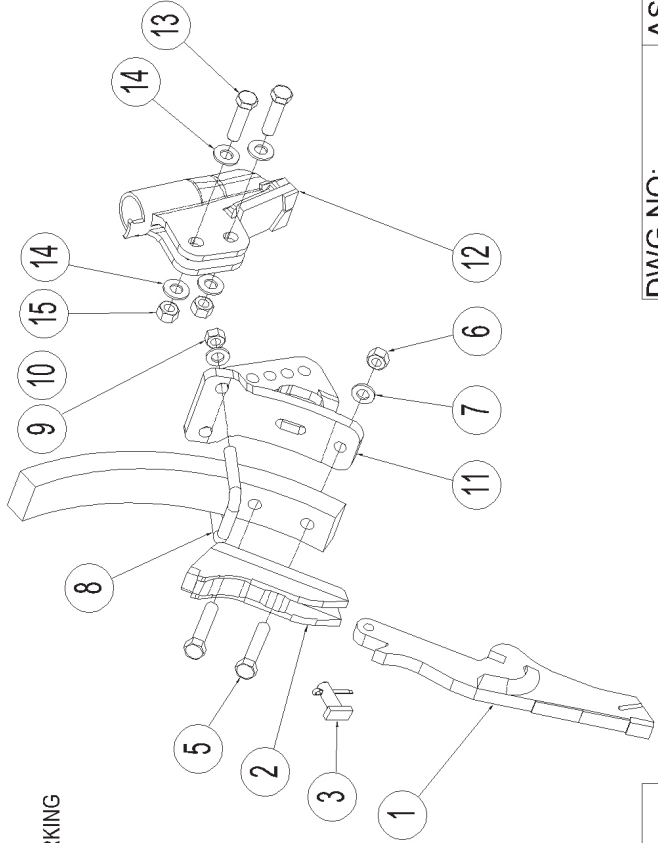
LIQUID N ATTACHMENT

- Place clamp plate (20) over S bend in tube (21) and secure to lower hole of boot bracket (11) and line using 1/2" longer bolt.
 - Secure P clamp lug (22) to U bolt leg with P clamp mounting hole above boot bracket (11).
 - Fit P clamp (23) over the tube (21) then secure P clamp to lug with M6 x 20 bolt, washer and nut. Tube should fit up close against the central vertical plate of boot bracket (11) and can be curved to suit bracket profile.
- NOTE: Stainless tube (21) is a casing for smaller flexible delivery pipe (not supplied) and should finish close to the bottom of the clamp plate (20).
The flexible delivery pipe continues into the back of the liquid point.



POINT AND BOOT

- Make delivery hose adaption to boot (12).
Delivery hose 32-38 OD will fit directly into boot - no adaption necessary.
For 38 ID hose secure 38 OD poly tube into boot and secure inside delivery hose.
- Bolt boot (12) to bracket (11) using items 13, 14 & 15, after determining a suitable height.
- Loosely bolt holder (2) and bracket (11) to tyne using items 5, 6, & 7.
- Fit U bolt (8) using item 9 & 10 to secure - **DO NOT OVER TIGHTEN**. Tighten nuts (6) securing holder (2) and bracket (11).
- Fit point (1) into holder (2), fit lynch pin (3) through point and secure with loop over end of point (1) to retain.
- Secure delivery hose to boot (12) with hose clamp or Tek screw (not supplied).



RETENSION ALL BOLTS AFTER 8 hrs WORKING

DOUBLE QUANTITIES OF ITEMS 21 TO 26 INCL FOR DOUBLE KIT

| | | | |
|----|---|-----------|----------------------|
| 25 | 1 | NU6MNY | NYLOC NUT M6 |
| 24 | 1 | UB1003 | BOLT M6 X 20 |
| 23 | 1 | PC6S | P CLAMP - 6 mm |
| 22 | 1 | LF2550 | P CLAMP WC |
| 21 | 1 | LF2570/80 | TUBE - 6 mm OT 10 mm |
| 20 | 1 | LF2520 | CLAMP PLATE - DOUBLE |
| 20 | 1 | LF2510/30 | CLAMP PLATE - SINGLE |

LIQUID N KIT

| 15 | 2 | NU12CL | NUT 1/2" UNF |
|-----|-----|----------|--------------------------------|
| 14 | 4 | WA12MC | CONICAL WASHER M12 |
| 13 | 2 | BO122 | BOLT 1/2" UNF X 2 |
| 12 | 1 | BT25XX | BOOT - TO SUIT APPLICATION |
| 11 | 1 | BR20X0 | BRACKET - TO SUIT TYNE |
| 10 | 2 | WA12MC | CONICAL WASHER M12 |
| 9 | 2 | NU12MNY | NYLOC NUT M12 |
| 8 | 1 | UB2002 | U BOLT FOR UP TO 28 WIDE TYNES |
| 8 | 1 | UB2001 | U BOLT FOR 50 WIDE TYNES |
| 7 | 2 | WA12MC | CONICAL WASHER M12 |
| 7 | 2 | WA716F | FLAT WASHER 7/16" |
| 6 | 2 | NU12CL | NUT 1/2" UNF |
| 6 | 2 | NU716CL | NUT 7/16" UNF |
| 5 | 2 | BO123 | BOLT 1/2" UNF X 3" |
| 5 | 2 | BO12212 | BOLT 1/2" UNF X 2 1/2" |
| 5 | 2 | BO716234 | BOLT 7/16" UNF X 2 3/4" |
| 3 | 1 | TSP | T PIN & SPLIT PIN |
| 2 | 1 | HL11XX | HOLDER - TO SUIT TYNE |
| 1 | 1 | PT11XX | POINT - TO SUIT TYNE |
| REF | QTY | PART No | DESCRIPTION |
| | | | DRG SIZE |

DWG NO:

AI1020

ASSY INSTRUCTIONS

NT11 POINTS & BOOTS

AGMASTER
G1500 NOTILL

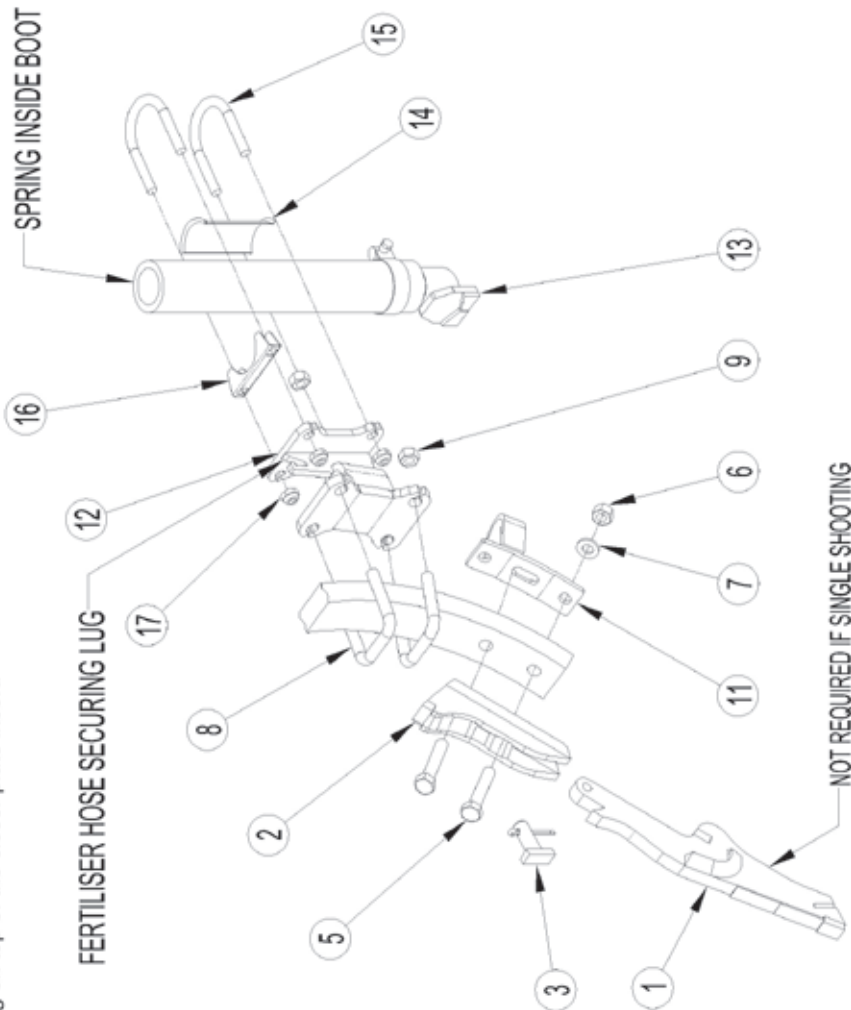
10 Fargo Way,
Weishpool WA 6106
T: 08933581555
F: 08933581888
www.agmaster.com.au

PROPRIETARY AND CONFIDENTIAL
ALL RIGHTS STRICTLY RESERVED REPRODUCTION OR ISSUE TO
THIRD PARTIES IN ANY FORM WHATSOEVER IS NOT PERMITTED
WITHOUT WRITTEN AUTHORITY FROM AGMASTER

ASSEMBLY INSTRUCTIONS

1. Fit holder (2) and fertiliser hose holder (11) to tyne using items 5, 6 & 7.
2. Fit bracket (12) to tyne above item 11 using items 8, 9 & 10. On flat tynes the bracket (12) rests against holder (11). With 'edge on' tynes there will likely be a gap between 11 & 12.
3. Cut the end of the fertiliser hose at 45 degrees (rear higher) and fit through brackets (11 & 12) until end is between bracket bolts, secure to item 12 lug with hose clamp (not supplied). Bracket 11 is reversible for higher or lower securing of the fertilizer tube.
4. Fit boot (13) to bracket (12) using items 14, 15, 16 & 17 after determining a suitable height. (normally 50mm higher than knife). When using presswheels consider setting rear row of boots 10 to 15 mm lower to give even seed depth. Make sure the spring inside the boot (13) is resting on top of the closer plate insert.
5. Most seed hose will fit inside boot and can be pushed through to top of spring. Inside boot. 38 mm OD poly pipe may be needed as a transition piece if seed hose is too large or too small.
6. Fit point (1) to holder (2), fit lynch pin (3) through point and secure with loop over point (1) to retain.

RETENSION ALL BOLTS AFTER 8 hrs WORKING



| REF | QTY | PART NO | DRG SIZE | DESCRIPTION |
|-----|-----|----------|----------|--------------------------------|
| 17 | 4 | NU10MN | | NYLOC NUT M10 |
| 16 | 1 | FB2820 | | CLAMP |
| 15 | 2 | UB2007 | | U BOLT |
| 14 | 1 | FB2810 | | SADDLE |
| 13 | 1 | FB28XX | | BOOT - TO SUIT APPLICATION |
| 12 | 1 | FB27XX | | BRACKET - TO SUIT TYNE |
| 11 | 1 | FB2800 | | FERTILISER HOSE HOLDER |
| 10 | | | | |
| 9 | 2 | NU12MNY | | NYLOC NUT M12 |
| 8 | 1 | UB2002 | | U BOLT FOR UP TO 28 WIDE TYNES |
| 8 | 1 | UB2001 | | U BOLT FOR 50 WIDE TYNES |
| 7 | 2 | WA12MC | | CONICAL WASHER M12 |
| 7 | 2 | WA716F | | FLAT WASHER 7/16" |
| 6 | 2 | NU12CL | | NUT 1/2" UNF |
| 6 | 2 | NU716CL | | NUT 7/16" UNF |
| 5 | 2 | BO1212 | | BOLT 1/2" UNF X 2 1/2" |
| 5 | 2 | BO12214 | | BOLT 1/2" UNF X 2 1/4" |
| 5 | 2 | BO716212 | | BOLT 7/16" UNF X 2 1/2" |
| | | | | |
| 3 | 1 | TSP | | T PIN & SPLIT PIN |
| 2 | 1 | HL11XX | | HOLDER - TO SUIT TYNE |
| 1 | 1 | PT11XX | | POINT - TO SUIT TYNE |

DWG NO:
AI1030

ASSY INSTRUCTIONS
FLEXI BOOT AND POINT

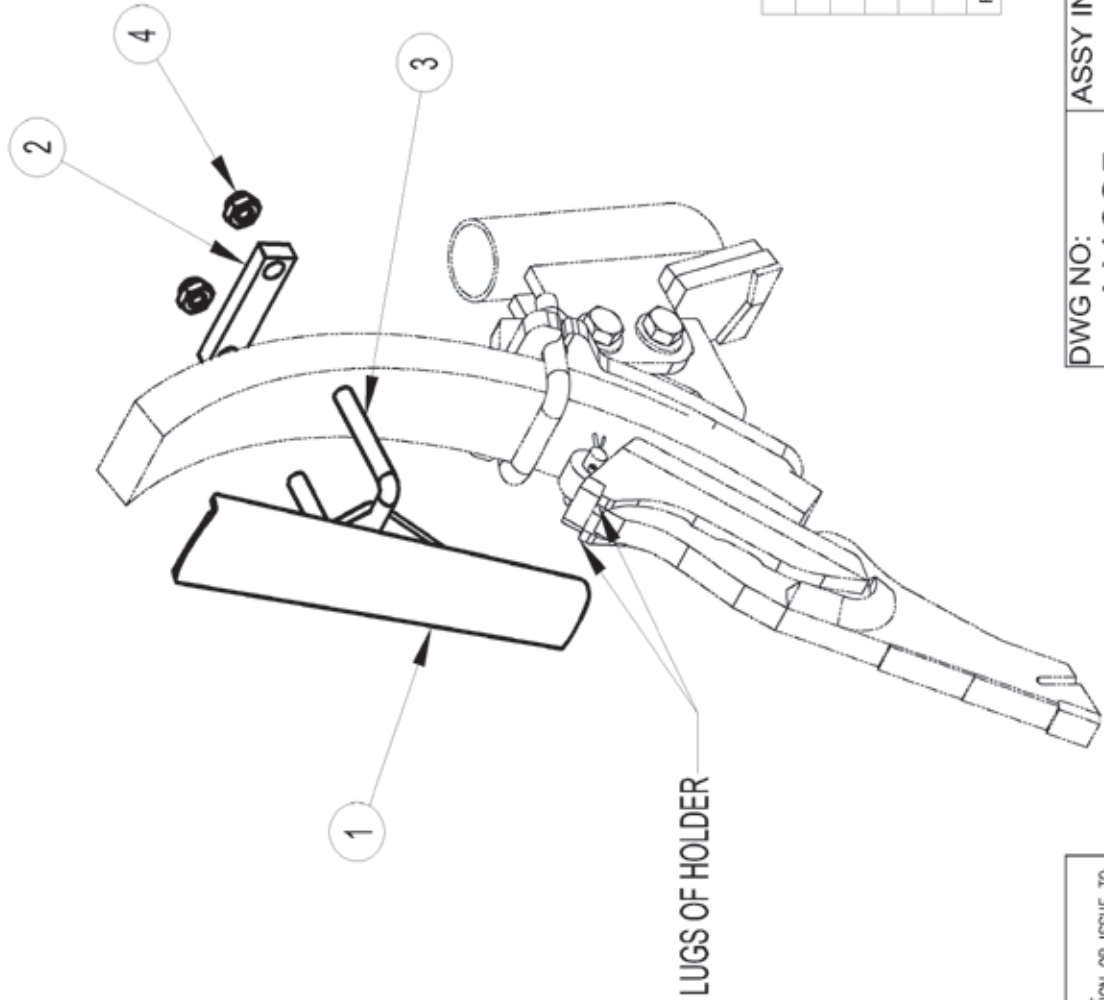
AGMASTER
G1500 NO TILL
10 Fargo Way,
Welspool WA 6106
T: 0893581555
F: 0893581888
www.agmaster.com.au

PROPRIETARY AND CONFIDENTIAL
ALL RIGHTS STRICTLY RESERVED. REPRODUCTION OR ISSUE TO
THIRD PARTIES IN ANY FORM WHATSOEVER IS NOT PERMITTED
WITHOUT WRITTEN AUTHORITY FROM AGMASTER.

ASSEMBLY INSTRUCTIONS

RETENSION ALL BOLTS AFTER 8 hrs WORKING

1. fit U bolt (3) through guard (1), fit guard (1) to tyne making sure the lower edge is correctly located in the lugs of holder. Fit lug (2) over U bolt (3) and secure with nuts (4) - DO NOT OVER TIGHTEN.



| REF | QTY | PART No | DRG SIZE | DESCRIPTION |
|-----|-----|---------|----------|--------------------------|
| 4 | 2 | NU10MNY | | NYLOC NUT M10 |
| 3 | 1 | UB1003 | | U BOLT FOR 50 WIDE TYNES |
| 3 | 1 | UB1004 | | U BOLT FOR 28 WIDE TYNES |
| 2 | 1 | TG1175 | | LUG - FOR 50 WIDE TYNES |
| 2 | 1 | TG1173 | | LUG - FOR 28 WIDE TYNES |
| 1 | 1 | TG1170 | | TRASHGUARD |



 10 Fargo Way,
 Welshpool WA 6106
 T: 0893581555
 F: 0893581888
 www.agmaster.com.au

DWG NO: AI1025
 ASSY INSTRUCTIONS
 TRASH GUARD

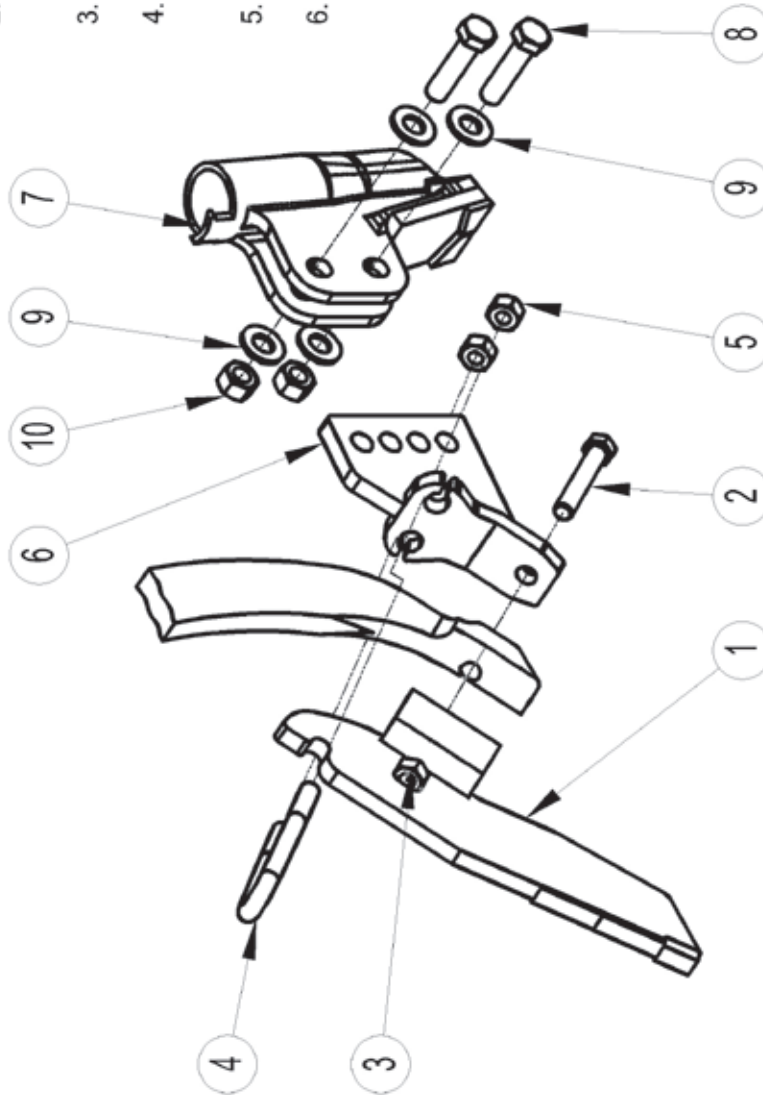
PROPRIETARY AND CONFIDENTIAL
 ALL RIGHTS STRICTLY RESERVED REPRODUCTION OR ISSUE TO
 THIRD PARTIES IN ANY FORM OR BY ANY MEANS IS NOT PERMITTED
 WITHOUT WRITTEN AUTHORITY FROM AGMASTER.

ASSEMBLY INSTRUCTIONS


RETENSION ALL BOLTS AFTER 8 hrs WORKING

1. Make delivery hose adaption to boot (7).
Some common methods are (depending on delivery hose size).
 - * Fix a short piece of 1 1/4" or 32 mm poly pipe with a maximum 38 mm OD into boot. Most hoses will plug inside or over outside of this pipe.
 - * Fix delivery hose directly into boot.
 - * Weld suitable size pipe sleeve onto boot (7) to accept delivery hose.

2. Bolt boot (7) to bracket (6) using items 8, 9 & 10, after determining a suitable height.
3. Loosely bolt point (1) and bracket (6) to tyne using items 2, & 3.
4. Loosely fit U bolt (4) around top of point and secure thru bracket (6) with nuts (5).
5. Tighten bolt (2).
6. Nip up bolt (4) - **DO NOT OVER TIGHTEN**



| REF | QTY | PART No | DRG SIZE | DESCRIPTION |
|-----|-----|----------|----------|---------------------------------------|
| 10 | 2 | NU12CL | | NUT 1/2" UNF |
| 9 | 4 | WA12MC | | CONICAL WASHER M12 |
| 8 | 2 | BO122 | | BOLT 1/2" UNF X 2" |
| 7 | 1 | BT25XX | | BOOT - TO SUIT APPLICATION |
| 6 | 1 | BR22XX | | BRACKET - TO SUIT TYNE |
| 5 | 2 | NU12MNY | | NUT M12 |
| 4 | 1 | UB2003 | | U BOLT FOR SCARIFIERS |
| 4 | 1 | UB2004 | | U BOLT FOR SEEDERS |
| 3 | 1 | NU12CL | | NUT 1/2" UNF FOR SCARIFIERS |
| 3 | 1 | NU176CL | | NUT 7/16" UNF FOR SEEDERS |
| 2 | 1 | BO12214 | | BOLT 1/2" UNF X 2 1/4" FOR SCARIFIERS |
| 2 | 1 | BO176212 | | BOLT 7/16" UNF X 2 1/2" FOR SEEDERS |
| 1 | 1 | PT18XX | | POINT - TO SUIT TYNE |



 10 Fargo Way,
 Welshpool WA 6106
 T: 0893581555
 F: 089358188
 www.agmaster.com.au

DWG NO: **AI1010**
 ASSY INSTRUCTIONS
 NT08 POINTS AND BOOTS

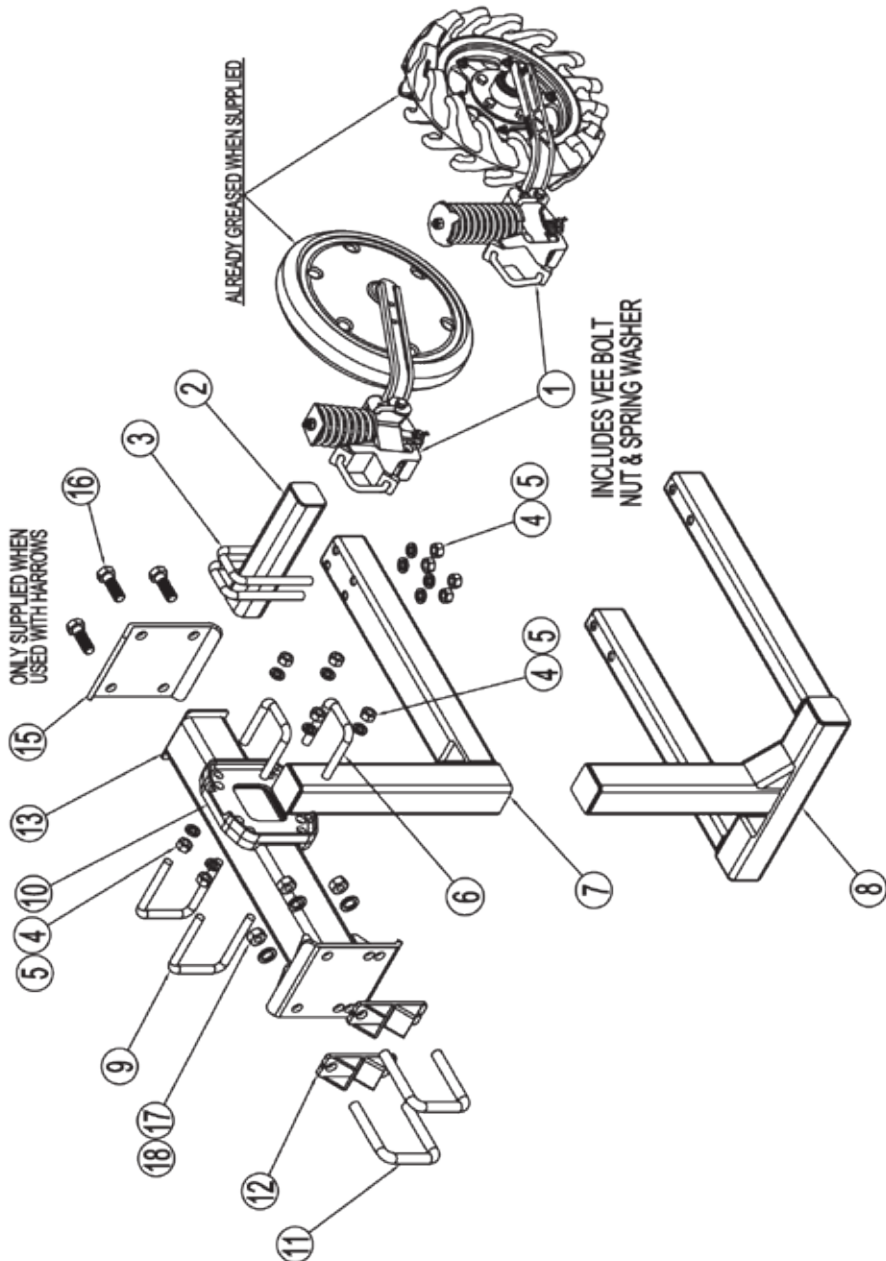
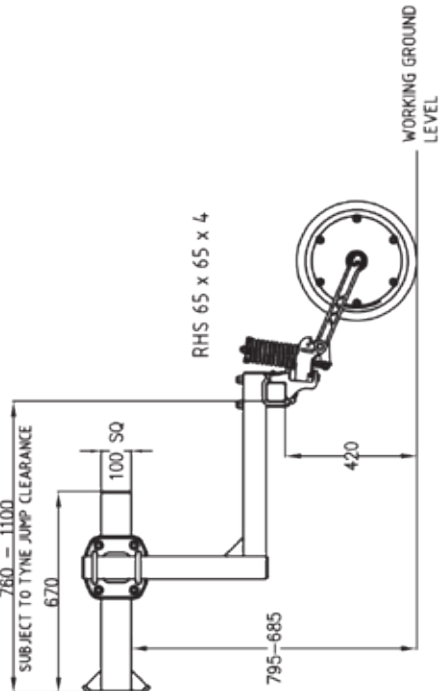
PROPRIETARY AND CONFIDENTIAL
 ALL RIGHTS STRICTLY RESERVED. REPRODUCTION OR ISSUE TO
 THIRD PARTIES IN ANY FORM WHATSOEVER IS NOT PERMITTED
 WITHOUT WRITTEN AUTHORITY FROM AGMASTER.

ASSEMBLY INSTRUCTIONS

WARNING: FOLD MACHINE VERY CAREFULLY THE FIRST TIME AFTER FITTING ATTACHMENTS, LOOK FOR FOULS
RE-TENSION ALL BOLTS AFTER 8 hrs WORKING

PRESS WHEEL ASSEMBLY WITHOUT HARROWS

1. For each section determine 2 available spaces, minimum 20 cm, approximately 1/4 distance in from ends of section, ie 4 m section, locate extensions (13) as close to 1 m in from each end as spaces permit.
2. With extensions fitted attach dropper (7 or 8) and locator plate (10) and determine breakout clearance behind last rank of tines with RHS (2) at 42 cm to 45 cm from bottom of RHS (2) to working ground level.
3. Fit RHS (2) above or below it as determined in step 2. Leave 5 cm gap between ends of RHS (2) to ensure clearance for machine movement. If supplying own RHS cut to width of machine sections less 5 cm for machine movement.
4. Position and fix press wheel assemblies in line with tines. If Vee bolt interferes with droppers (7 or 8), adjust position of extension (13).
5. Adjust down pressure as required.



| REF | QTY | PART No | DRG SIZE | DESCRIPTION |
|-----|------|-----------------|----------|--|
| 18 | 4(4) | WA20MC | | CONICAL WASHER - M20 |
| 17 | 4(4) | NU20MZP | | NUT - M20 |
| 16 | 4 | BO20M60 | | BOLT - M20 X 60 |
| 15 | 1 | FE4032 | | HARROW CONNECT PLATE - TO BE WELDED |
| 13 | 1 | FE4030 | | EXTENSION MAIN ARM |
| 12 | 2 | HSS080 | | CLAMP PLATE FOR DIAMOND ORIENTATION ONLY |
| 11 | 2 | UB3006 | | U BOLT M20 X 150 X 122 FOR DIAGONAL RHS |
| 11 | 2 | UB3005 | | U BOLT M20 X 110 X 77 FOR 75 RHS |
| 11 | 2 | UB3004 | | U BOLT M20 X 135 X 102 for 100 RHS |
| 10 | 1 | FE4020 | | LOCATOR PLATE |
| 9 | 2 | UB3002 | | U BOLT - M16 |
| 8 | 1 | FE4015 | | DOUBLE DROPPER |
| 7 | 1 | FE4010 | | SINGLE DROPPER |
| 6 | 2 | UB4003 | | U BOLT - M16 |
| 5 | 12 | WA16MC | | CONICAL WASHER - M16 |
| 4 | 12 | NU16MZP | | NUT - M16 |
| 3 | 1 | UB4002 | | U BOLT - M16 |
| 2 | 1 | RH65654 | | 65 x 65 x 4 RHS LENGTH AS REQD |
| 1 | AR | PW4100 - PW4150 | | PRESS WHEEL ASSEMBLY |

AGMASTER
 1500 NOTULLS
 10 Fargo Way,
 Welshpool WA 6106
 T: 0893581555
 F: 0893581888
 www.agmaster.com.au

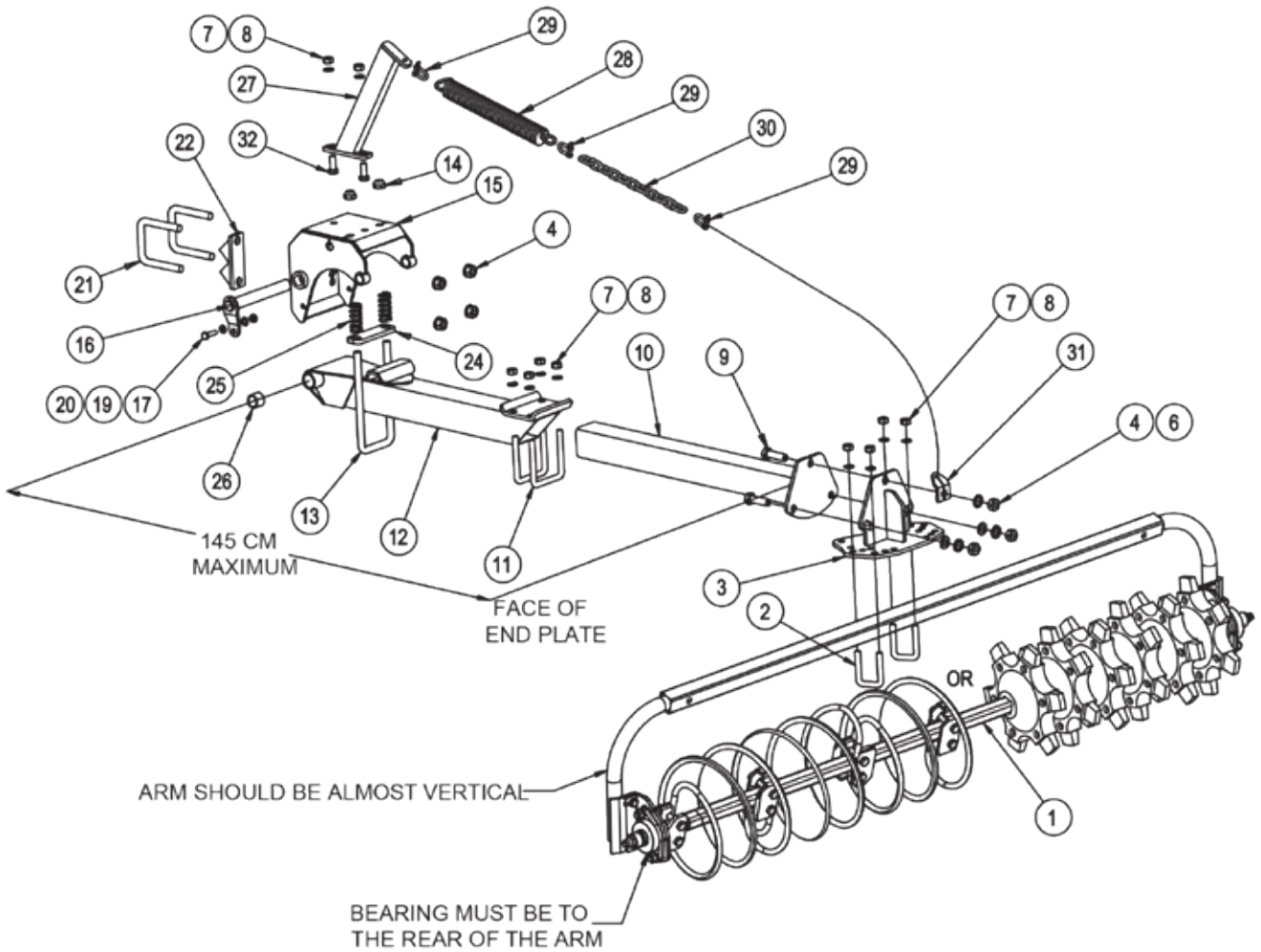
DWG NO: **AI1065**
 ASSY INSTRUCTIONS
 PRESS WHEELS

PROPRIETARY AND CONFIDENTIAL
 ALL RIGHTS STRICTLY RESERVED REPRODUCTION OR ISSUE TO
 THIRD PARTIES IN ANY FORM WHATSOEVER IS NOT PERMITTED
 WITHOUT WRITTEN AUTHORITY FROM AGMASTER.

ASSEMBLY INSTRUCTIONS

WARNING: FOLD MACHINE VERY CAREFULLY THE FIRST TIME AFTER FITTING ATTACHMENTS, LOOK FOR FOULS

RE-TENSION ALL BOLTS AFTER 8 hrs WORKING



| | | | | |
|-----|------|--------------|----------|-----------------------------|
| 17 | 1 | BO12M40 | | BOLT, M12 x 40mm HEX |
| 16 | 1 | HS3040 | A4 | PIVOT PIN |
| 15 | 1 | HS3030 | A4 | HEADSTOCK |
| 14 | 2 | NU20MNY | | NUT, M20 NYLOC |
| 13 | 1 | UB3001 | A4 | U-BOLT, M20 |
| 12 | 1 | TA3120 | A4 | OUTER ARM |
| 11 | 2 | UB3002 | A4 | U-BOLT, M16 |
| 10 | 1 | TA3130 | A4 | INNER ARM |
| 9 | 3 | BO20M60 | | BOLT, M20 x 60mm HEX |
| 8 | 8/10 | WA16MC | | WASHER, M16 CONICAL |
| 7 | 8/10 | NU16MZP | | NUT, M16 |
| 6 | 2 | WA20MC | | WASHER, M20 CONICAL |
| 5 | | | | |
| 4 | 7 | NU20MZP | | NUT - M20 |
| 3 | 1 | HA3310 | A4 | TURNTABLE |
| 2 | 2 | UB3003 | A4 | U BOLT - M16 |
| 1 | 1 | HA3740/50 | | HARROW GANG ASSEMBLY - COIL |
| 1 | 1 | HA3240/50/60 | | HARROW GANG ASSEMBLY - STAR |
| REF | QTY | PART No | DRG SIZE | DESCRIPTION |

| | | | | |
|----|---|----------|----|---|
| 18 | | | | |
| 19 | 1 | WA12MC | | WASHER, M12 CONICAL |
| 20 | 1 | NU12MNY | | NUT, M12 NYLOC |
| 21 | 2 | UB3004 | A4 | U-BOLT, M20 x 135 x 102 FOR 100 x 100 SQUARE |
| 21 | 2 | UB3006 | A4 | U-BOLT, M20 x 150 x 122 ON DIAMOND |
| 22 | 2 | HS3080 | A4 | CLAMP PLATE FOR UB3006 ON DIAMOND |
| 21 | 4 | BO20M120 | A4 | BOLT, M20 X 120, W/ WASHER & NUT FOR 75 x 75 SQ |
| 22 | 2 | HS3070 | A4 | CLAMP PLATE FOR BO20M120 ON 75 x 75 SQUARE |
| 24 | 1 | HS3090 | A4 | SPRING PLATE - NOT REQD ON NON FOLD M/C |
| 25 | 2 | SP3011 | A4 | SPRING - NOT REQD ON NON FOLD M/C |
| 26 | 2 | TA3123 | | BUSH - HARROW ARM |
| 27 | 1 | HK3610 | A4 | TENSION SPRING ARM |
| 28 | 1 | SP3012 | A4 | TENSION SPRING |
| 29 | 3 | SH100 | | SHACKLE |
| 30 | 1 | CH8 | | CHAIN |
| 31 | 1 | HK3620 | A4 | LIFTING LUG |
| 32 | 2 | BO16M40 | | BOLT, M16 x 40mm HEX |

See sheet 2 for assembly instructions

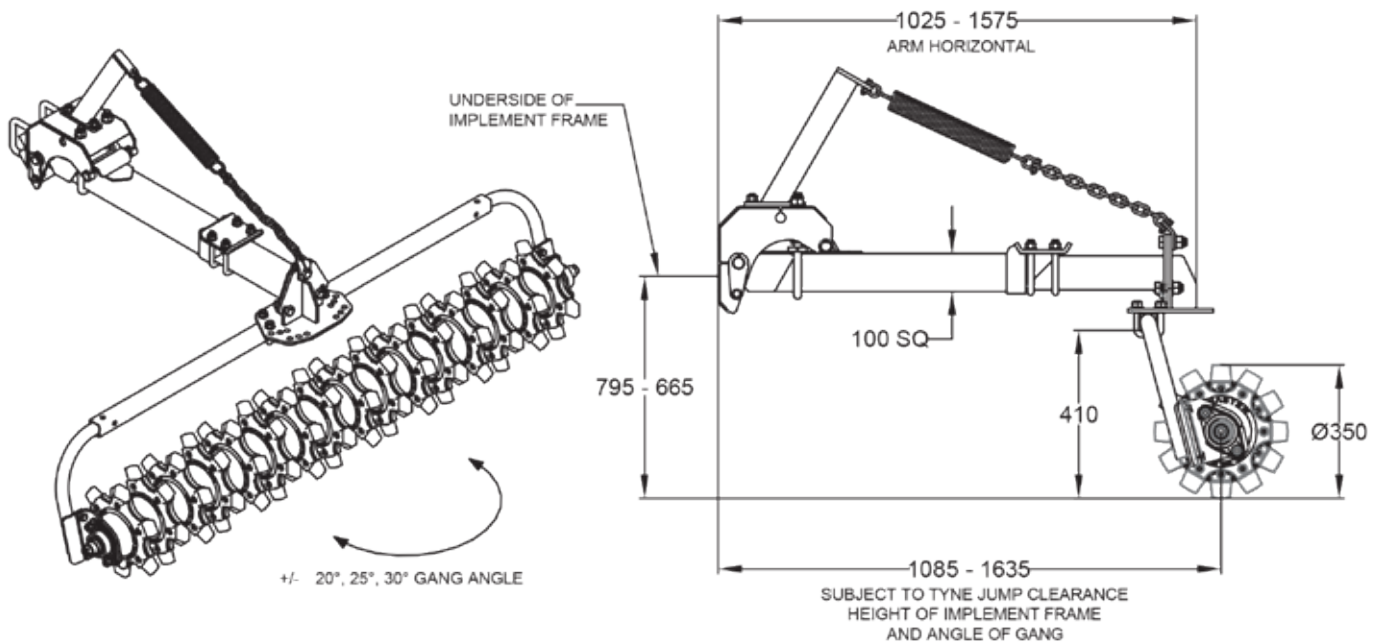
PROPRIETARY AND CONFIDENTIAL
ALL RIGHTS STRICTLY RESERVED REPRODUCTION OR ISSUE TO THIRD PARTIES IN ANY FORM WHATSOEVER IS NOT PERMITTED WITHOUT WRITTEN AUTHORITY FROM AGMASTER.

DWG NO:
AI1050

ASSY INSTRUCTIONS
HARROWS SHEET 1 OF 2


 10 Fargo Way,
 Welshpool WA 6106
 T: 0893581555
 F: 0893581888
www.agmaster.com.au

ASSEMBLY INSTRUCTIONS



WARNING: FOLD MACHINE VERY CAREFULLY THE FIRST TIME AFTER FITTING ATTACHMENTS, LOOK FOR FOULS

1. Lay harrow gangs behind the bar (with bearings upwards & U arms forwards) to determine suitable mounting positions. Spaces for the mountings need to be a minimum of 20 cm wide.
 2. Mount headstock (15) on rear bar with U bolt (21). If a mounting position is not central to the gang because of an obstruction, find a space close to the centre of the gang (towards the leading end of the gang is preferable).
 3. Fit tension spring arm (27) to headstock (15).
 4. Mount outer arm (12), large U bolt (13), spring plate (24) and springs (25) to headstock (15). (spring plate (24) & springs (25) not supplied on combines). Fit inner arm (10) into outer arm (12) and secure with U bolts (11).
ENSURE EXTENDED LENGTH OF ARM DOES NOT EXCEED 145 cm AS SHOWN IN THE DIAGRAM
 5. Loosely mount turntable (3) to inner arm (10).
 6. Bolt gang (1) to turntable (3) at desired angle (20°, 25°, 30° or 35°) using U bolts (2), suggested initial setting of 25°. Gangs can be set all one way or half one way half the other.
IMPORTANT: BEARING ASSEMBLIES MUST BE TOWARDS THE REAR WITH U ARM ALMOST VERTICAL - SEE DIAGRAM.
 7. Lower machine to desired working depth.
 8. Tighten the turntable (3) to inner arm (10) so the leading end of the gang (1) is about 2 cm higher than the trailing end (leading end tends to dig in).
 9. Adjust large U bolt (13) to within 1 cm of the underside of outer arm (12). This U bolt lifts the gang in transport.
 10. Fit lifting lug (32) to turntable (3). Adjust length of chain (31) to carry approximately half of the harrow weight.
- * Depending on conditions, altering the turntable (3) angle and tension of spring (28) will vary harrow finish.
Test with one gang before adjusting the rest.
- * Taking more weight with the spring can have a greater effect than changing the angle of the gang.
- * On tillage machines with less than 100 mm square RHS stiffening may be required between ranks near the headstock mount position.
- * Grease bearings weekly. Do not over grease as seals may be damaged.
- * Retension all bolts after 8 hours working.

PROPRIETARY AND CONFIDENTIAL
ALL RIGHTS STRICTLY RESERVED REPRODUCTION OR ISSUE TO
THIRD PARTIES IN ANY FORM WHATSOEVER IS NOT PERMITTED
WITHOUT WRITTEN AUTHORITY FROM AGMASTER.

DWG NO:
AI1050

ASSY INSTRUCTIONS
HARROWS SHEET 2 OF 2

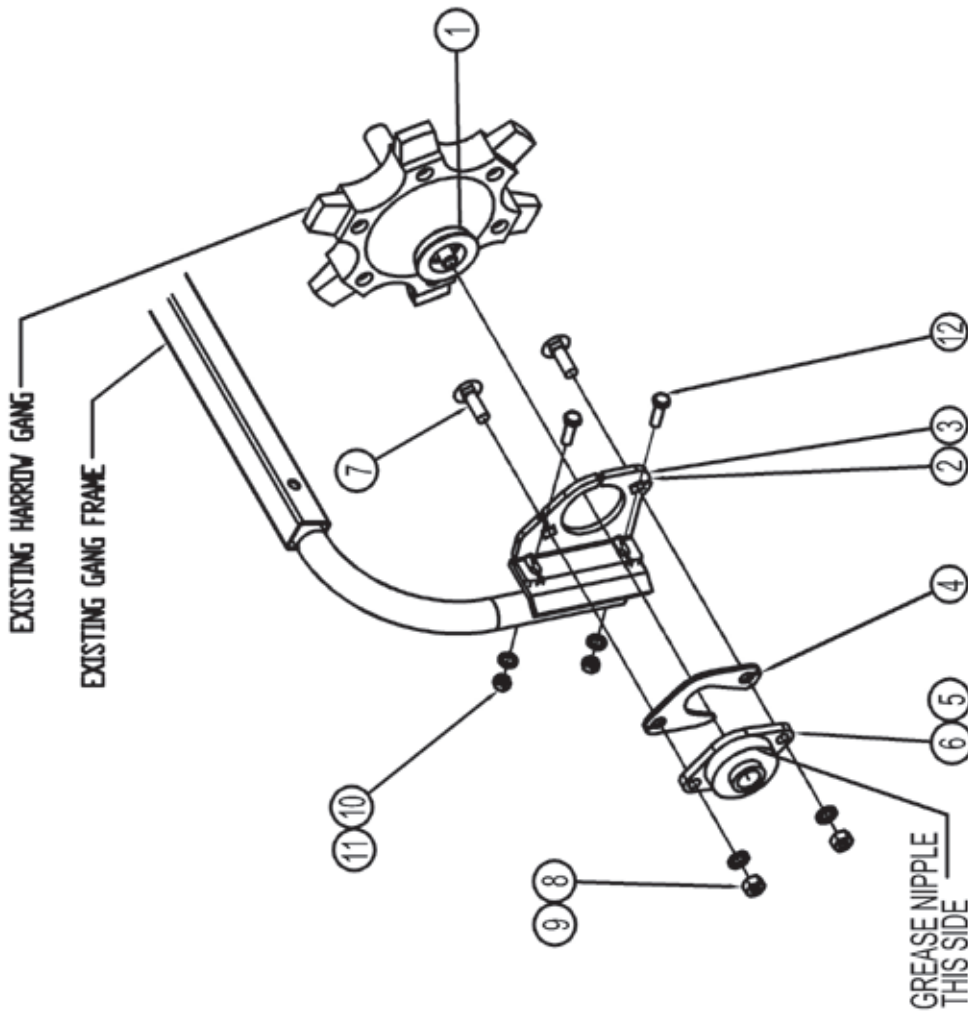

10 Fargo Way,
Welshpool WA 6106
T: 0893581555
F: 0893581888
www.agmaster.com.au

ASSEMBLY INSTRUCTIONS

NOTE ITEMS 2 TO 9 INCL. ARE SUPPLIED AS TWO ASSEMBLIES

1. Remove existing bearings, washers, spacers and hardware.
2. Ensure stars are central on axle, knock them along if necessary.
3. Slide crown slinger (1) onto each end as shown.
4. Fit bearing assemblies to each end ensuring bearing sits against slinger.
5. Bolt one end of gang assembly to gang frame ensuring slot in item 4 faces down and bearing is to rear of gang frame.
6. Bolt other end together, if holes do not line up stretch the gang frame to allow bolts to fit.

RETENSION ALL BOLTS AFTER 8 hrs WORKING



* Grease bearings weekly. Do not over grease as seals may be damaged

| REF | QTY | PART No | DESCRIPTION |
|-----|-----|------------|------------------------------------|
| 12 | 4 | BO12M40 | M12 X 40 BOLT |
| 11 | 4 | WA12MC | CONICAL WASHER - M12 |
| 10 | 4 | NU12MNY | M12 NYLOCK |
| 9 | 4 | WA16MC | CONICAL WASHER - M16 |
| 8 | 4 | NU16MZP | M16 NUT |
| 7 | 4 | BO16M50CUP | M16 X 50 CUP HEAD SQUARE NECK BOLT |
| 6 | 2 | BET14UCR3 | BEARING - UC207-20R3 |
| 5 | 2 | BE114FL | FLANGED HOUSING |
| 4 | 2 | HA3372 | SPACER PLATE |
| 3 | 1 | HA3381 | BRACKET LEFT HAND |
| 2 | 1 | HA3371 | BRACKET RIGHT HAND |
| 1 | 2 | HA3400 | CROWN SLINGER |
| REF | QTY | PART No | DESCRIPTION |

10 Fargo Way,
Weishpool WA 6106
T: 0893581555
F: 0893581888
www.agmaster.com.au



DWG NO: AI1051
ASSY INSTRUCTIONS
HARROW BRG UPGRADE

PROPRIETARY AND CONFIDENTIAL
ALL RIGHTS STRICTLY RESERVED. REPRODUCTION OR ISSUE TO THIRD PARTIES IN ANY FORM WHATSOEVER IS NOT PERMITTED WITHOUT WRITTEN AUTHORITY FROM AGMASTER.

ASSEMBLY INSTRUCTIONS

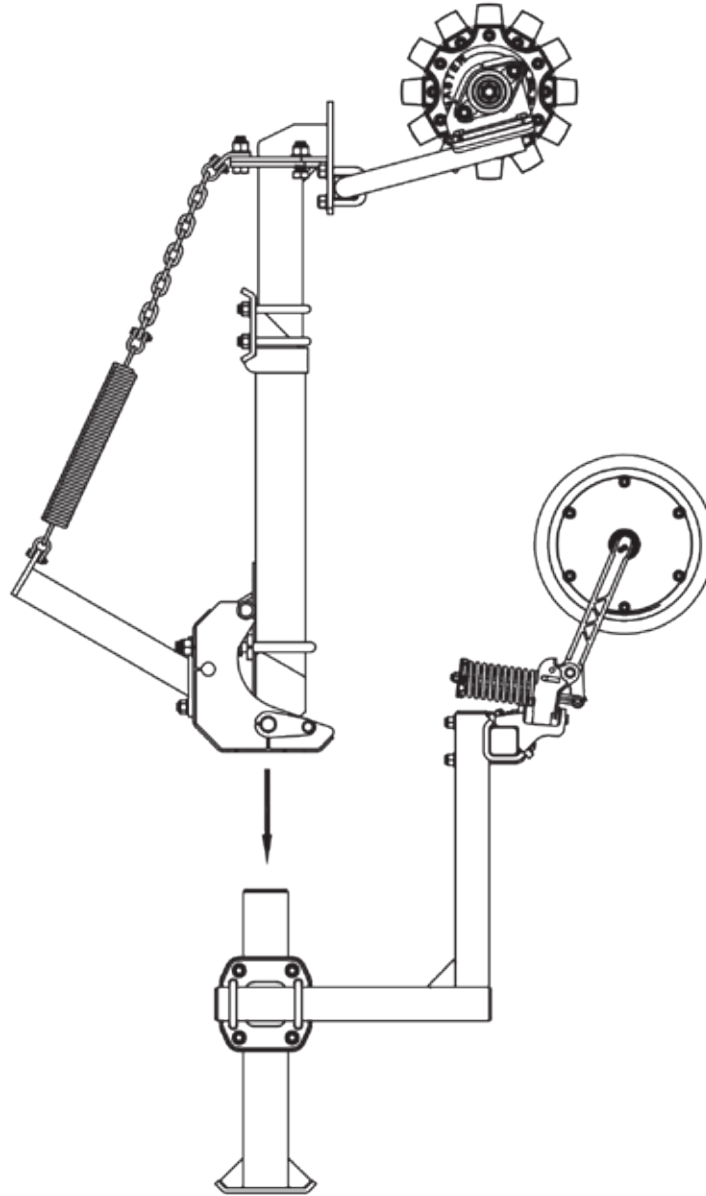
PRESSWHEELS & HARROWS IN COMBINATION PLEASE READ IN CONJUNCTION WITH AI1065

IF HARROWS ARE MOUNTED ALREADY

1. Remove harrow headstock from bar and replace with extension (13). Follow steps 2 to 5 in "Press wheel assembly without harrows". Ensure RHS (2) is mounted as far forward as possible without interfering with tine breakout to leave maximum room for harrows.
6. Remount harrow headstock to extension (13), level harrows if necessary.

IF MOUNTING WITH NEW HARROWS

1. Lay harrow gangs behind the machine to determine best mounting positions, spaces for mounting need to be a minimum of 20 cm wide. If a mounting position is not central to the gang because of an obstruction, find a space close to the centre of the gang (towards the leading end of the gang is preferable). Follow steps 2 to 5 in "Press wheel assembly without harrows".



PROPRIETARY AND CONFIDENTIAL
ALL RIGHTS STRICTLY RESERVED REPRODUCTION OR ISSUE TO
THIRD PARTIES IN ANY FORM WHATSOEVER IS NOT PERMITTED
WITHOUT WRITTEN AUTHORITY FROM AGMASTER.

DWG NO:
AI1066

ASSY INSTRUCTIONS
PRESS WHEELS

10 Fargo Way,
Weishpool WA 6106
T: 0893581555
F: 0893581888
www.agmaster.com.au

QUICK REFERENCE GUIDE

Individual Parts Only – Not Including Fasteners

| Part No | Price ex GST | Page | Part No | Price ex GST | Page | Part No | Price ex GST | Page |
|-----------|--------------|----------|----------|--------------|----------|------------|--------------|---------------|
| BA5110 | \$70.00 | 8 | CL2495 | \$25 | 41 | HA3460 | \$160.00 | 51 |
| BA5120 | \$70.00 | 8 | CL2495HF | \$18.00 | 41 | HA3500 | \$78.00 | 51 |
| BA5140 | \$70.00 | 8 | CL2496 | \$28.00 | 41 | HA3510 | \$25.00 | 51 |
| BA6200 | \$95.00 | 24 | CL2496HF | \$21.00 | 41 | HA3520 | \$5.50 | 49 |
| BA6260 | \$95.00 | 24 | CL2844 | \$25.00 | 18,37,41 | HA3520X100 | \$500.00 | 49 |
| BE114FL | \$12.00 | 49,50 | CL2845 | \$25.00 | 18,37,41 | HA3710 | \$24.00 | 49 |
| BE114UCR3 | \$20.00 | 49,50 | CL5240 | \$50.00 | 8 | HA3720 | \$13.00 | 49 |
| BE1228 | \$2.00 | 61 | CL6240 | \$50.00 | 24 | HA3740 | \$1270.00 | 47 |
| BE1237 | \$3.00 | 61 | FB2710 | \$65.00 | 37 | HA3750 | \$1470.00 | 47 |
| BE1740 | \$4.00 | 62 | FB2740 | \$65.00 | 37 | HC52T | \$5.00 | 18,37 |
| BR2010 | \$55.00 | 33 | FB2810 | \$5.00 | 18,37 | HC2145 | \$3.00 | 18,37 |
| BR2030 | \$55.00 | 33 | FB2820 | \$5.00 | 18,37 | HK3610 | \$70.00 | 49,50 |
| BR2040 | \$55.00 | 33 | FB2834 | \$50.00 | 18,37 | HK3620 | \$8.00 | 49,50 |
| BR2050 | \$55.00 | 33 | FB2835 | \$50.00 | 18,37 | HL1100 | \$20.00 | 31 |
| BR2060 | \$55.00 | 33 | FB2840 | \$95.00 | 18,37 | HL1110 | \$20.00 | 31 |
| BR2070 | \$55.00 | 33 | FB2850 | \$95.00 | 18,37 | HL5600 | \$25.00 | 9,13,17 |
| BR2080 | \$55.00 | 33 | FB2870 | \$35.00 | 18,37 | HL5610 | \$25.00 | 9,13,17 |
| BR2090 | \$55.00 | 33 | FB2910 | \$65.00 | 18 | HL7710 | \$30.00 | 26 |
| BR2110 | \$55.00 | 33 | FB2940 | \$65.00 | 18 | HS3030 | \$300.00 | 49 |
| BR2160 | \$100.00 | 46 | FB5310 | \$50.00 | 8,24 | HS3040 | \$40.00 | 49 |
| BR2210 | \$50.00 | 45 | FB5350 | \$110.00 | 25 | HS3070 | \$13.00 | 49 |
| BR2220 | \$50.00 | 45 | FB6410 | \$50.00 | 27 | HS3080 | \$20.00 | 49,58 |
| BR2240 | \$50.00 | 45 | FBH2800 | \$20.00 | 37 | HS3090 | \$15.00 | 49 |
| BR2250 | \$50.00 | 45 | FBH2980 | \$20.00 | 18 | HSP3050 | \$22.00 | 56,57 |
| BR2260 | \$50.00 | 45 | FE4010 | \$170.00 | 58 | LA6180 | \$65.00 | 24 |
| BR5810 | \$55.00 | 13 | FE4015 | \$340.00 | 58 | LA6190 | \$95.00 | 24 |
| BR5840 | \$55.00 | 13 | FE4020 | \$40.00 | 58 | LF2510 | \$20.00 | 14,39 |
| BT2370 | \$125.00 | 13,33,44 | FE4030 | \$270.00 | 58 | LF2520 | \$22.00 | 14,39 |
| BT2380 | \$125.00 | 13,33,44 | HA3240 | \$1420.00 | 47 | LF2530 | \$20.00 | 14,39 |
| BT2390 | \$170.00 | 13,33,44 | HA3250 | \$1620.00 | 47 | LF2540 | \$22.00 | 14,39 |
| BT2398 | \$10 p/set | 13,33,44 | HA3260 | \$1820.00 | 47 | LF2550 | \$6.00 | 14,39 |
| BT2399 | \$23.00 | 13,33,44 | HA3310 | \$150.00 | 47,49 | LF2570 | \$7.00 | 14,39 |
| BT2540 | \$60.00 | 13,33,44 | HA3340 | \$210.00 | 49 | LF2580 | \$7.00 | 14,39 |
| BT2550 | \$60.00 | 13,33,44 | HA3350 | \$230.00 | 49 | LF5420 | \$10.00 | 8 |
| BT5540 | \$75.00 | 25 | HA3360 | \$250.00 | 49 | LF5520 | \$5.00 | 8,24 |
| CA65 | \$10.00 | 57,58 | HA3370 | \$90.00 | 49,50 | LF5530 | \$7.00 | 8 |
| CF7160 | \$140.00 | 27,55 | HA3371 | \$45.00 | 49,50 | PC6S | \$2.00 | 14,39 |
| CF7360 | \$280.00 | 27 | HA3372 | \$7.00 | 49,50 | PC10S | \$2.00 | 14,39 |
| CF7560 | \$280.00 | 27,55 | HA3380 | \$90.00 | 49,50 | PI3MIN | \$1.20 | 59-61 |
| CH8X500 | \$10.00 | 49,50 | HA3381 | \$45.00 | 49,50 | PIR41 | \$2.20 | 9,12,17,24,63 |
| CL2440 | \$25.00 | 41 | HA3390 | \$27.00 | 51 | PIR45 | \$2.20 | 9,12,17,24,63 |
| CL2474 | \$25.00 | 41 | HA3410 | \$7.00 | 51 | PT1120 | \$70.00 | 32 |
| CL2494 | \$25.00 | 41 | HA3440 | \$140.00 | 51 | PT1120R | \$70.00 | 32 |
| CL2494HF | \$18.00 | 41 | HA3450 | \$150.00 | 51 | PT1130 | \$120.00 | 32 |

QUICK REFERENCE GUIDE

Individual Parts Only – Not Including Fasteners

| Part No | Price ex GST | Page | Part No | Price ex GST | Page | Part No | Price ex GST | Page |
|---------|--------------|---------|-----------|--------------|-------|---------|--------------|----------|
| PT1130R | \$120.00 | 32 | PW4220 | \$180.00 | 62 | SP3701 | \$160.00 | 51 |
| PT1140 | \$80.00 | 32 | PW4230 | \$180.00 | 62 | SP4011 | \$20.00 | 59-61 |
| PT1150 | \$100.00 | 32 | PW4251 | \$5.00 | 62 | SP4012 | \$15.00 | 53,59-61 |
| PT1160 | \$80.00 | 32 | PW4265 | \$5.00 | 59,60 | SW1210 | \$30.00 | 38 |
| PT1160R | \$80.00 | 32 | PW4266 | \$5.00 | 59,60 | SW1220 | \$30.00 | 38 |
| PT1170 | \$110.00 | 32 | PW4275 | \$3.00 | 59 | SW1270 | \$30.00 | 38 |
| PT1190 | \$110.00 | 32 | PW4276 | \$5.00 | 59,60 | SW5270 | \$150.00 | 8 |
| PT1190R | \$110.00 | 32 | PW4290 | \$80.00 | 59 | SW5280 | \$150.00 | 8 |
| PT1560 | \$135.00 | 46 | PW4300 | \$115.00 | 62 | SW5290 | \$160.00 | 8 |
| PT1560R | \$135.00 | 46 | PW4310 | \$95.00 | 62 | SW6270 | \$150.00 | 24 |
| PT1580R | \$110.00 | 40 | PW4320 | \$95.00 | 62 | SW6280 | \$150.00 | 24 |
| PT1810 | \$75.00 | 44 | PW4330 | \$95.00 | 62 | SW6290 | \$160.00 | 24 |
| PT1820 | \$75.00 | 44 | PW4350 | \$40.00 | 62 | TA3120 | \$360.00 | 49 |
| PT1830 | \$75.00 | 44 | PW4360 | \$30.00 | 62 | TA3130 | \$150.00 | 49 |
| PT1840 | \$75.00 | 44 | PW4370 | \$10.00 | 62 | TG1170 | \$28.00 | 38 |
| PT1850 | \$75.00 | 44 | PW4380 | \$4.00 | 62 | TG1173 | \$5.00 | 38,64 |
| PT1860 | \$75.00 | 44 | PW4390 | \$5.00 | 62 | TG1175 | \$5.00 | 38,64 |
| PT1865 | \$90.00 | 44 | PW4405 | \$90.00 | 61 | TG5730 | \$29.00 | 19 |
| PT1890 | \$115.00 | 44 | PW4415 | \$5.00 | 61 | TG5750 | \$29.00 | 19 |
| PT1930 | \$55.00 | 40,44 | PW4420 | \$90.00 | 61 | TSP | \$1.50 | 31,63 |
| PT1940 | \$65.00 | 40 | PW4430 | \$90.00 | 61 | UB2005 | \$4.00 | 64 |
| PT1962 | \$85.00 | 40 | PW4440 | \$20.00 | 53,62 | UB5620 | \$5.00 | 64 |
| PT1963 | \$100.00 | 40 | PW4450 | \$50.00 | 61 | XTA3123 | \$6.00 | 49,50 |
| PT1964 | \$105.00 | 40 | PW4460 | \$0.80 | 61 | | | |
| PT5040 | \$80.00 | 27 | PW4470 | \$1.20 | 61 | | | |
| PT5050 | \$110.00 | 27 | PW4480 | \$4.00 | 61 | | | |
| PT5060 | \$80.00 | 25 | PW4500 | \$70.00 | 61 | | | |
| PT5070 | \$110.00 | 25 | PW4550 | \$8.00 | 60,61 | | | |
| PT5640 | \$90.00 | 9,12,17 | PW4560 | \$20.00 | 60,61 | | | |
| PT5650 | \$120.00 | 9,12,17 | PW4570 | \$2.00 | 60,61 | | | |
| PT5660 | \$90.00 | 9,12,17 | PW4580 | \$7.00 | 59-61 | | | |
| PT5670 | \$120.00 | 9,12,17 | PW4590 | \$5.00 | 59-61 | | | |
| PT6040 | \$80.00 | 27 | PWR4285 | \$6.00 | 60 | | | |
| PT6050 | \$110.00 | 27 | PWS57 | \$2.00 | 60,61 | | | |
| PT6640 | \$85.00 | 24 | SC825 | \$0.20 | 62 | | | |
| PT6650 | \$110.00 | 24 | SE36P6641 | \$6.00 | 62 | | | |
| PT6660 | \$85.00 | 24 | SE6PR6518 | \$5.00 | 62 | | | |
| PT6670 | \$110.00 | 24 | SH10D | \$3.00 | 49,50 | | | |
| PT6710 | \$140.00 | 24 | SL5340 | \$125.00 | 27 | | | |
| PT6720 | \$95.00 | 24 | SL5350 | \$125.00 | 25 | | | |
| PT7760 | \$105.00 | 26 | SP2880 | \$10 | 17,37 | | | |
| PW4000 | \$280.00 | 61 | SP3011 | \$5 | 49 | | | |
| PW4200 | \$200.00 | 62 | SP3012 | \$30.00 | 49,50 | | | |
| PW4210 | \$180.00 | 62 | SP3013 | \$40.00 | 49,50 | | | |